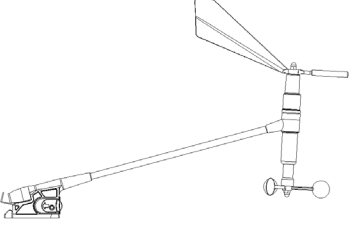
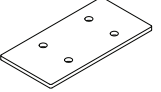
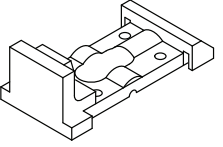
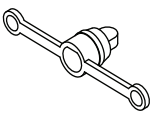



# 608 / 508 Wind Sensors - Installation Guide

## Packing List

Wind Sensor	Part	Qty	Description
		1	Gasket
		1	Masthead Bracket
		1	Protection Cap for Plug
		4	Self Tapping Screws No. 10

## Drilling & Preparation

1. Position the template supplied to the top of the masthead, pointing Fore–Aft.
2. Drill the fixing and cable exit holes as marked – the masthead bracket incorporates a cable clamp to secure the cable and provide strain relief (Fig. 1)

It is recommended that a grommet is used to avoid damage to the cable where it passes through the mast. Allow at least 75 mm (3.0") of cable at the masthead for the wind vane connection.

→ **Note:** The cable can be fed through the side of the mast, if this is more convenient.

For boats with an aluminium mast, a channel is normally provided inside the mast section for running electrical cables. This will usually have a tag line, or "mouse" – a length of line running the length of the mast to assist in pulling through cables. If not, the cable will need to be fed down and drawn out the bottom by hand.

For boats with a wooden mast, the cable can be run down the outside of the mast, held in place with cable clips.

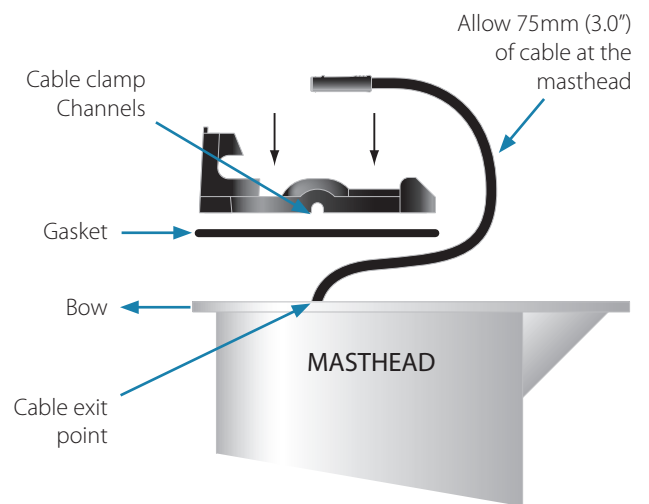
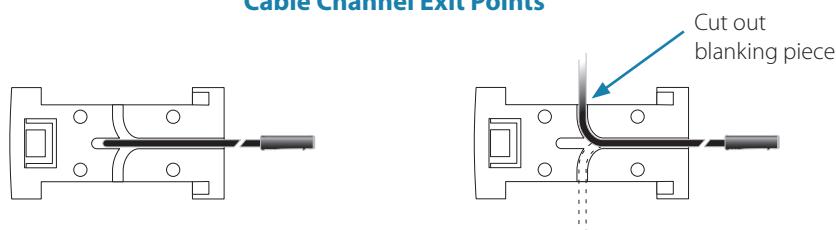


Fig. 1 – Drilling exit hole for cable

## Fitting the Masthead Bracket

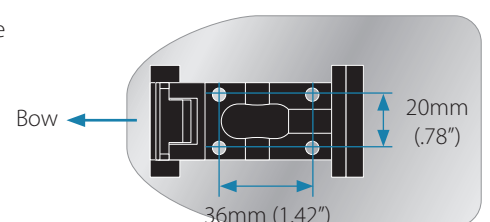
Fig. 2  
Cable Channel Exit Points



Mast - Aft Cable Exit

Mast - Side Cable Exit

Fig. 3  
Fitting the Masthead Bracket



Mast Top View



## Attaching / Removing the Wind Sensor

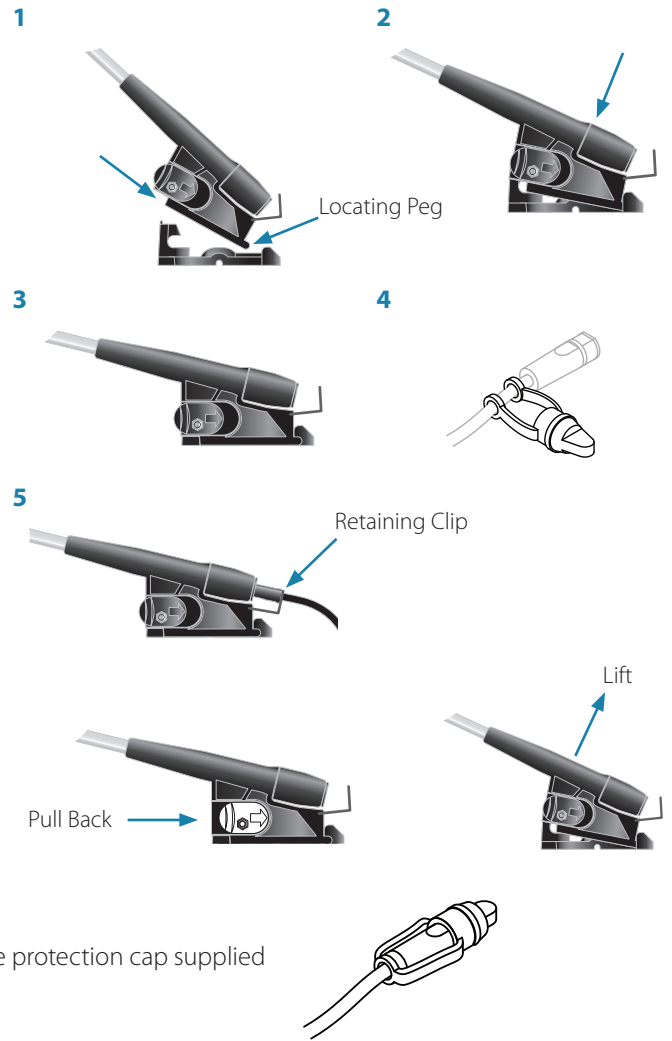
The vane is attached to the masthead bracket using a simple quick-release clamp system.

1. Slide the locating pegs on the rear of the vane base into the slots on the masthead bracket (1)
2. Press the vane down onto the masthead bracket (2)
3. The vane base will then lock into place. Ensure that the quick release clip is properly engaged by pulling it fully forward (3)
4. Attach the protection cap to the cable (4)
5. Then fit the cable to the socket in the back of the vane and lock the retaining clip into place (5)

To avoid damage, it is recommended that the wind vane be taken down at the end of the season if the boat is to be laid up or lifted out.

Simply unlock the retaining clip, remove the cable, pull the release clip back and lift the vane off the masthead bracket.




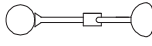
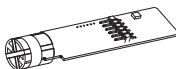
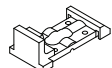
→ **Note:** To avoid corrosion of the electrical contacts, always fit the protection cap supplied over the end of the cable.



## Calibration

After installation it will be necessary to calibrate the wind angle. Refer to your system handbook for details.

## Spare Parts

Part	Part Number	Description
	213-10-004	Wind Angle Bearing
	213-10-038	Wind Speed Bearing
	213-10-056	Wind Vane
	213-30-027	Wind Cups
	000-13715-001	PCB
	000-10573-001	Mast Bracket