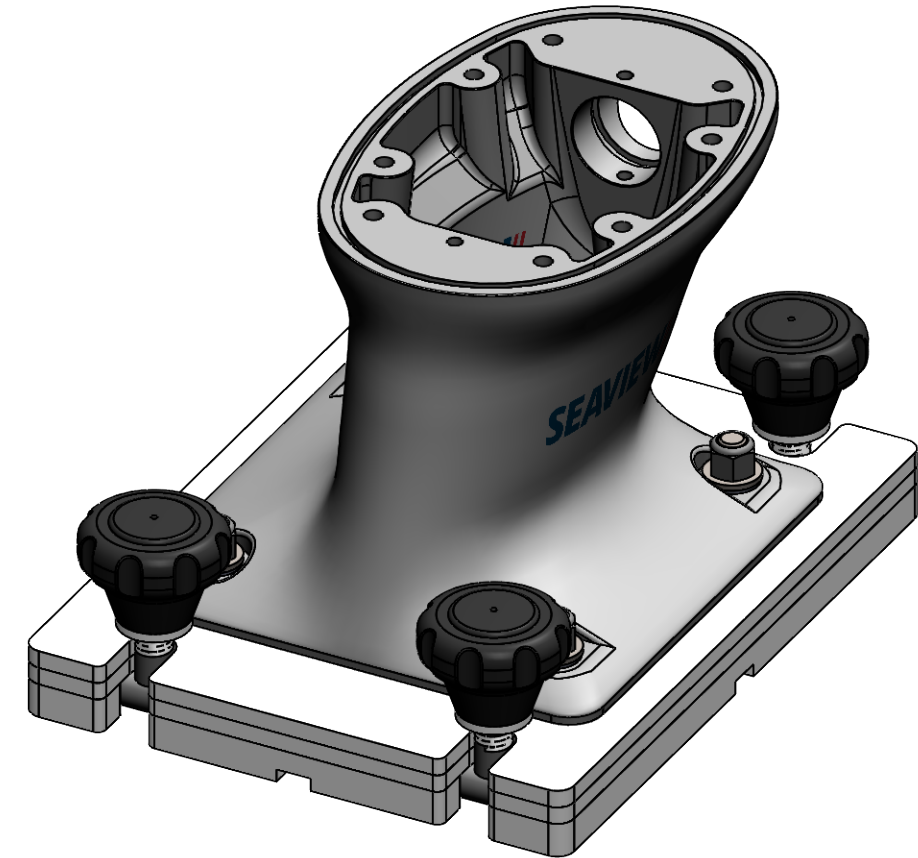
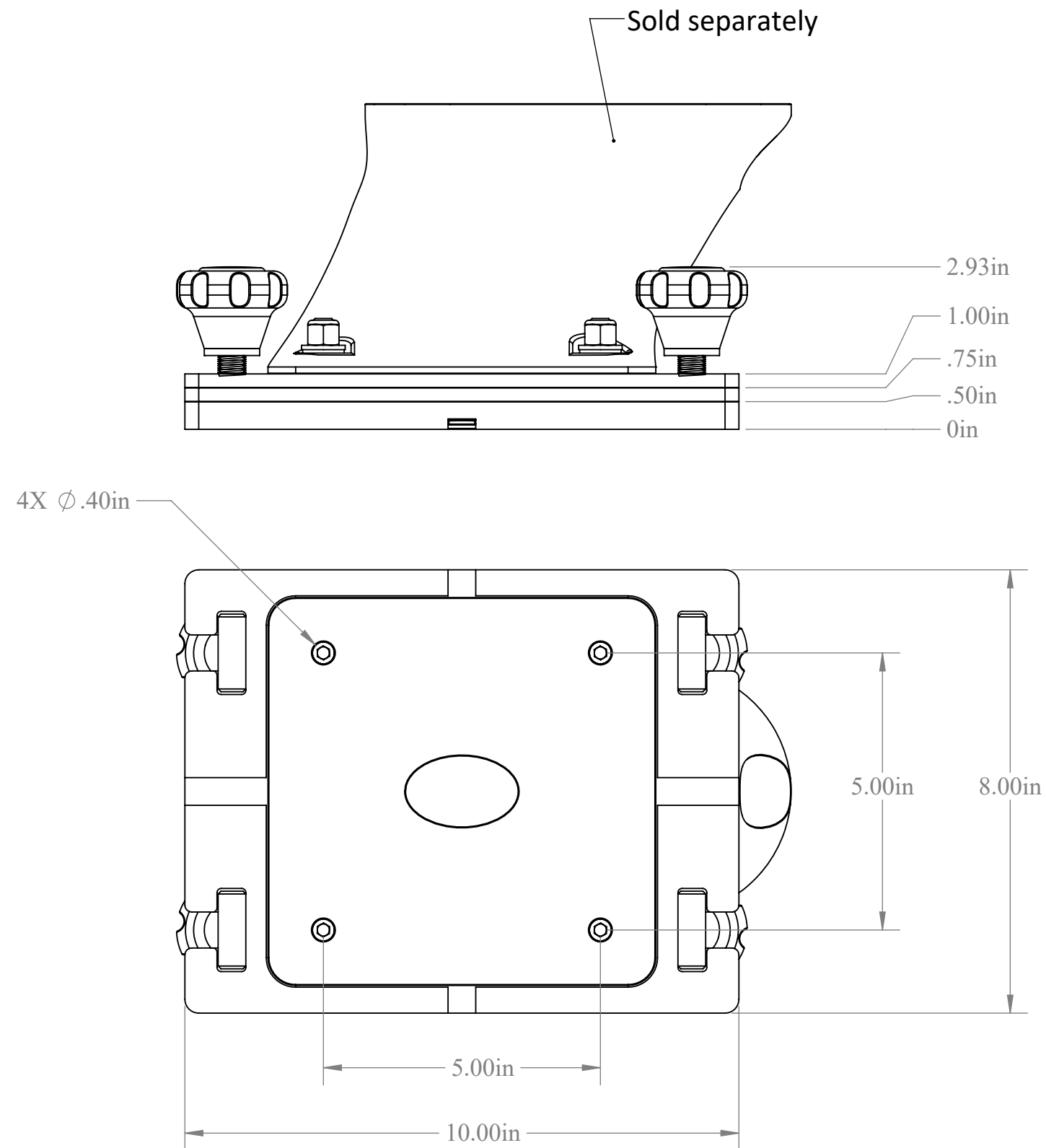


ITEM NO.	DESCRIPTION	QTY.
1	ALUMINUM PLATE	2
2	KING STARBOARD PLATE	1
3	KNOB	4
4	CABLE SEAL BASE PLATE (SMALL)	1
5	5/16"-18 X 1.25" FHCS	4
6	SHOULDER BUSHING FOR 3/8" SCREWS	4
7	SS WASHER FOR 3/8" SCREWS	4
8	NYLOCK NUT FOR 3/8"-16 SCREWS	4

Notes:

1. Please note that some dimensions may not be shown (applies to all pages)
2. Do not scale drawing (applies to all pages)
3. Pedestal mount shown for reference only. Sold separately.



Notes:

1. Pedestal mount shown for reference only. Sold separately.

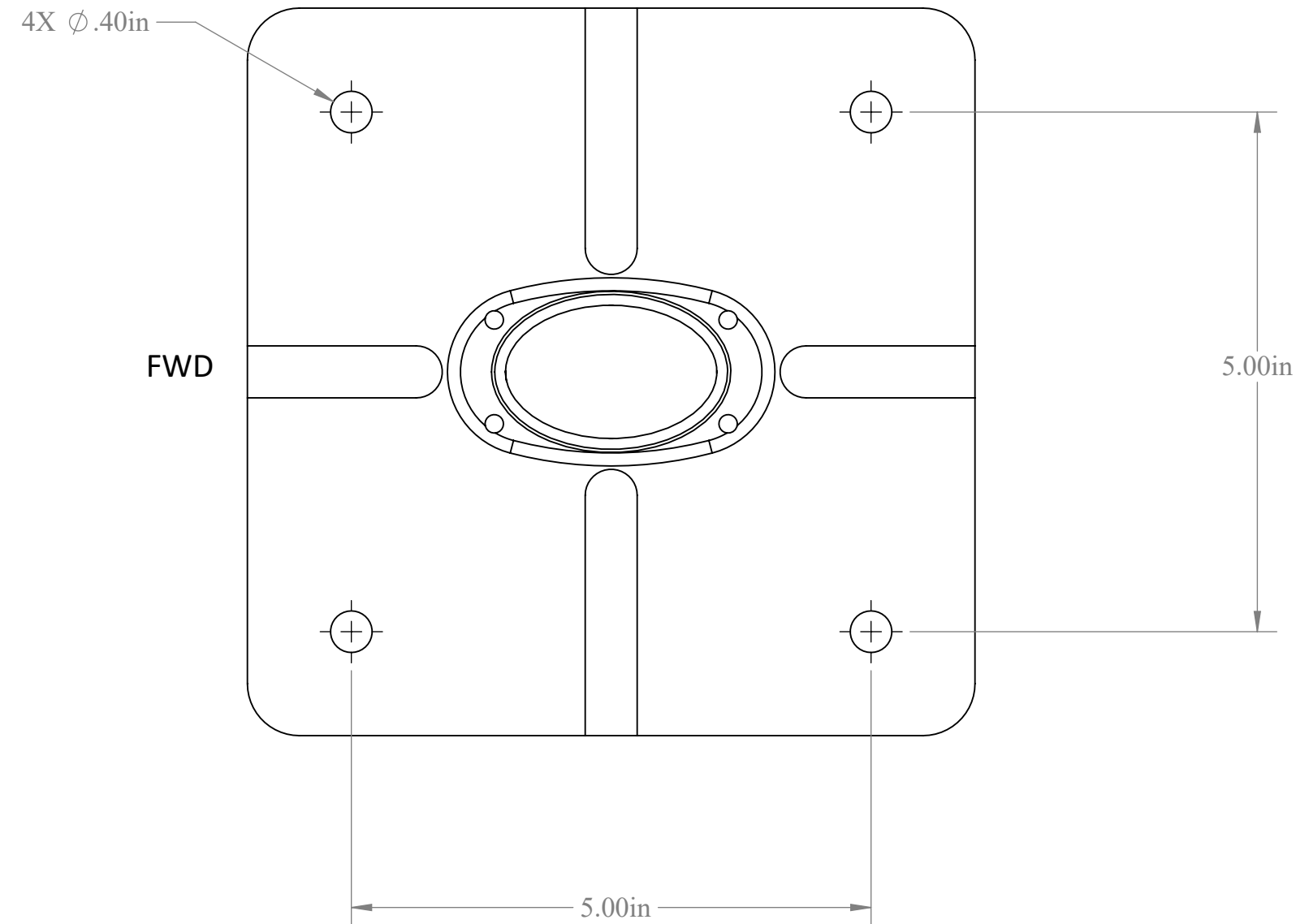
PMRB7

For help e-mail
info@seaviewglobal.com
ph. 1-800-655-7922

INSTALLATION INSTRUCTIONS BEGIN ON NEXT PAGE

For help e-mail
info@seaviewglobal.com
ph. 1-800-655-7922

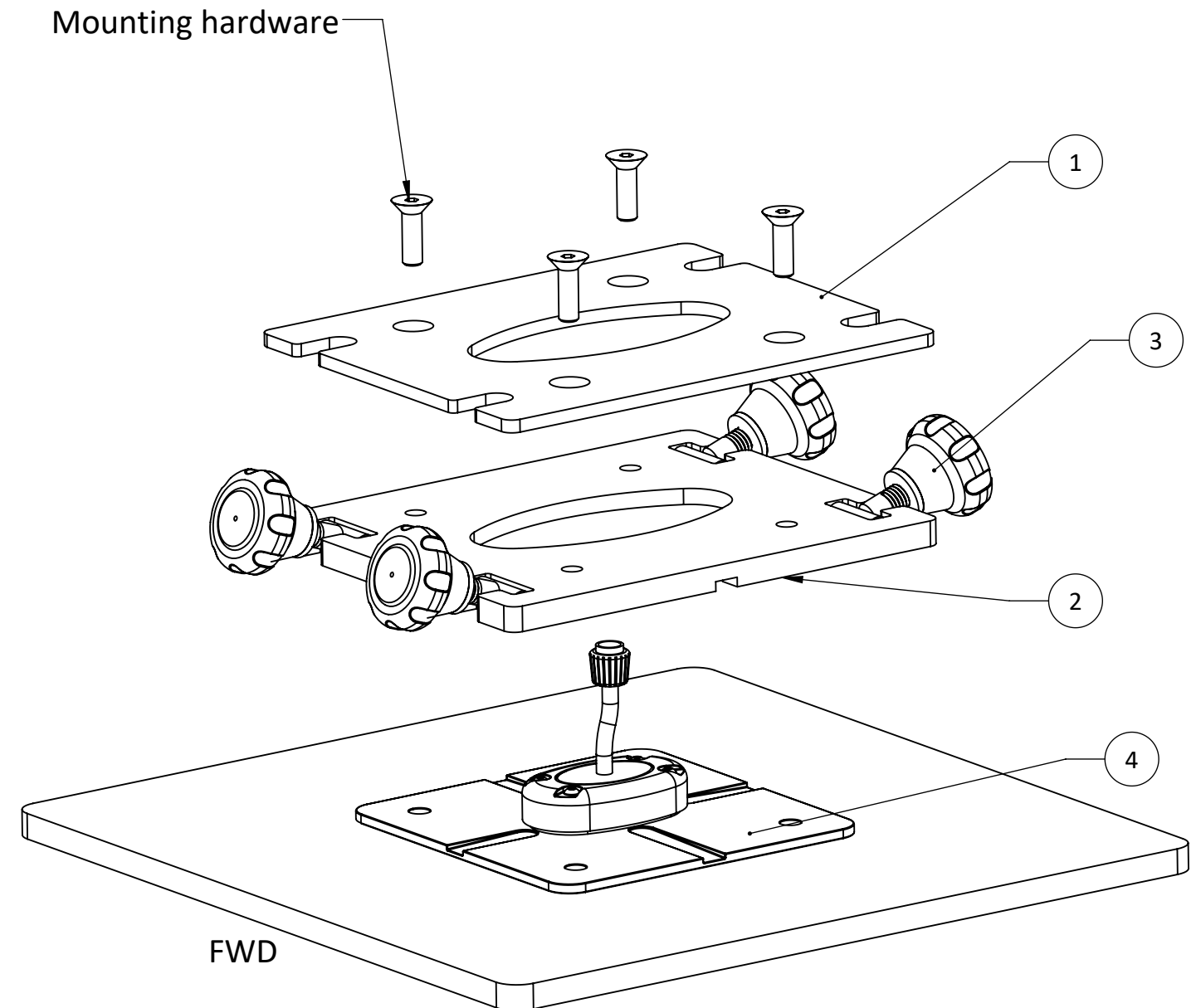
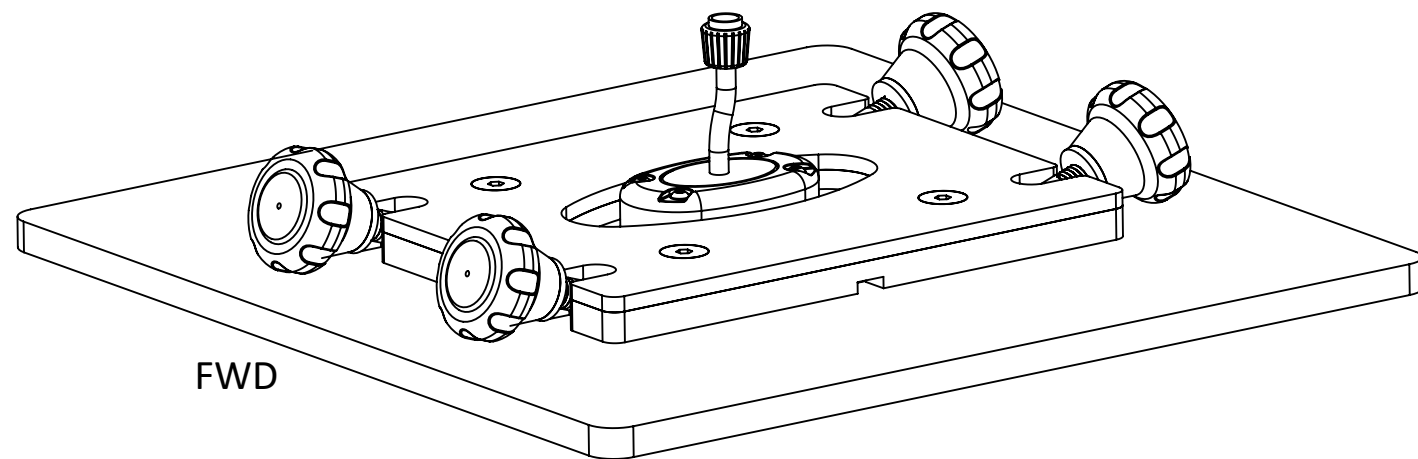
- 1** Using the cable seal base plate as a guide, mark and drill the 4 holes in the desired mounting location. Please note where the cable is routed when deciding. Please note the forward direction indicated below.



For help e-mail
info@seaviewglobal.com
ph. 1-800-655-7922

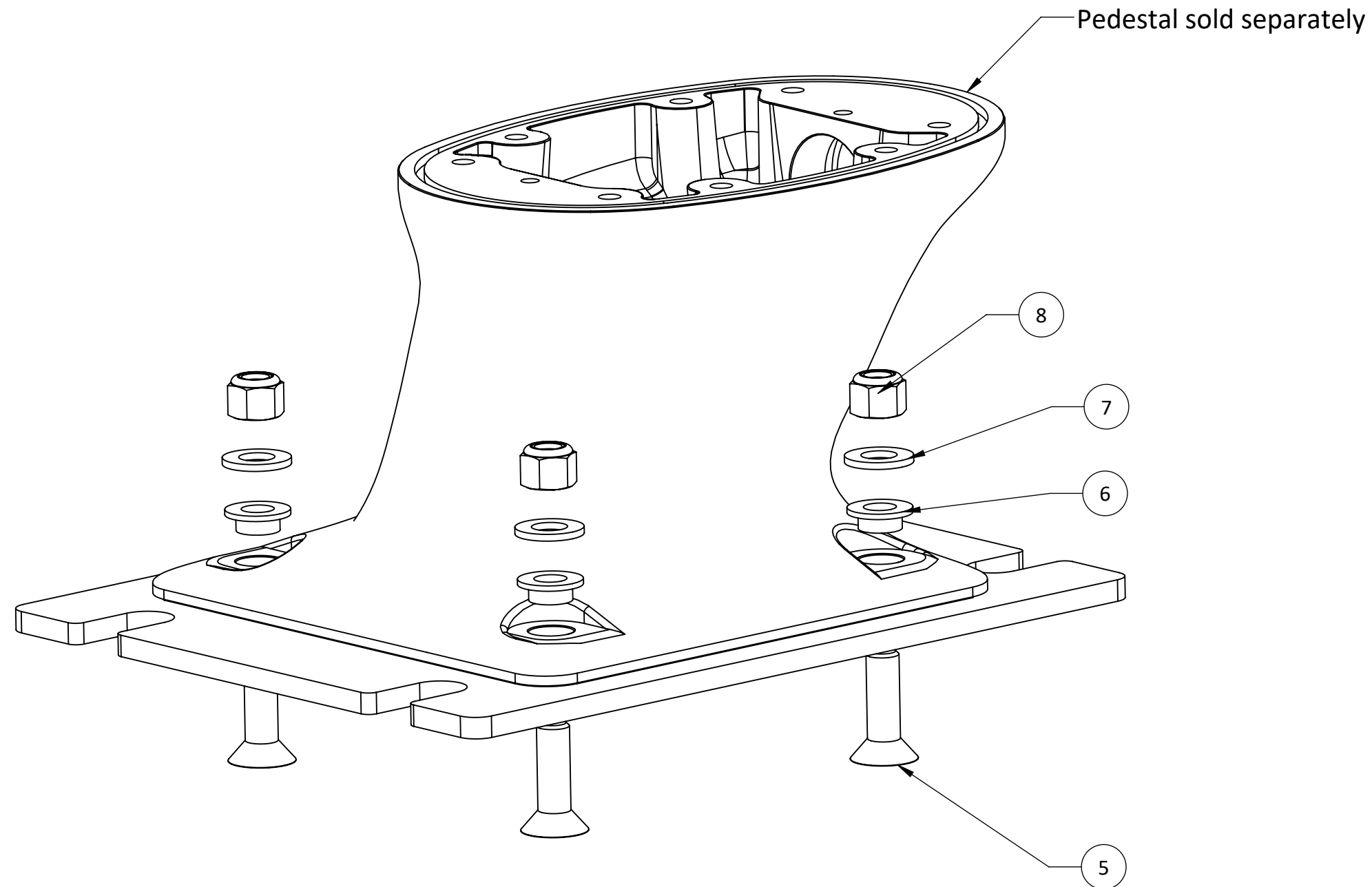
2 With the cable seal base plate (4) aligned with the mounting holes on the mounting surface, route cable and quick disconnect (not provided) through mounting surface from the bottom up. Follow steps 1-12 on page 7 & 8 [here](#).

Next secure items 1 - 3 in the orientation shown in the views below. Ensure the knobs are placed in the t-slots before the aluminum plate is bolted down. Due to varying mounting surface types and thicknesses, the mounting hardware is not provided. Use 3/8"-16 flat head cap screws with nyloc nuts (or similar) underneath.



For help e-mail
info@seaviewglobal.com
ph. 1-800-655-7922

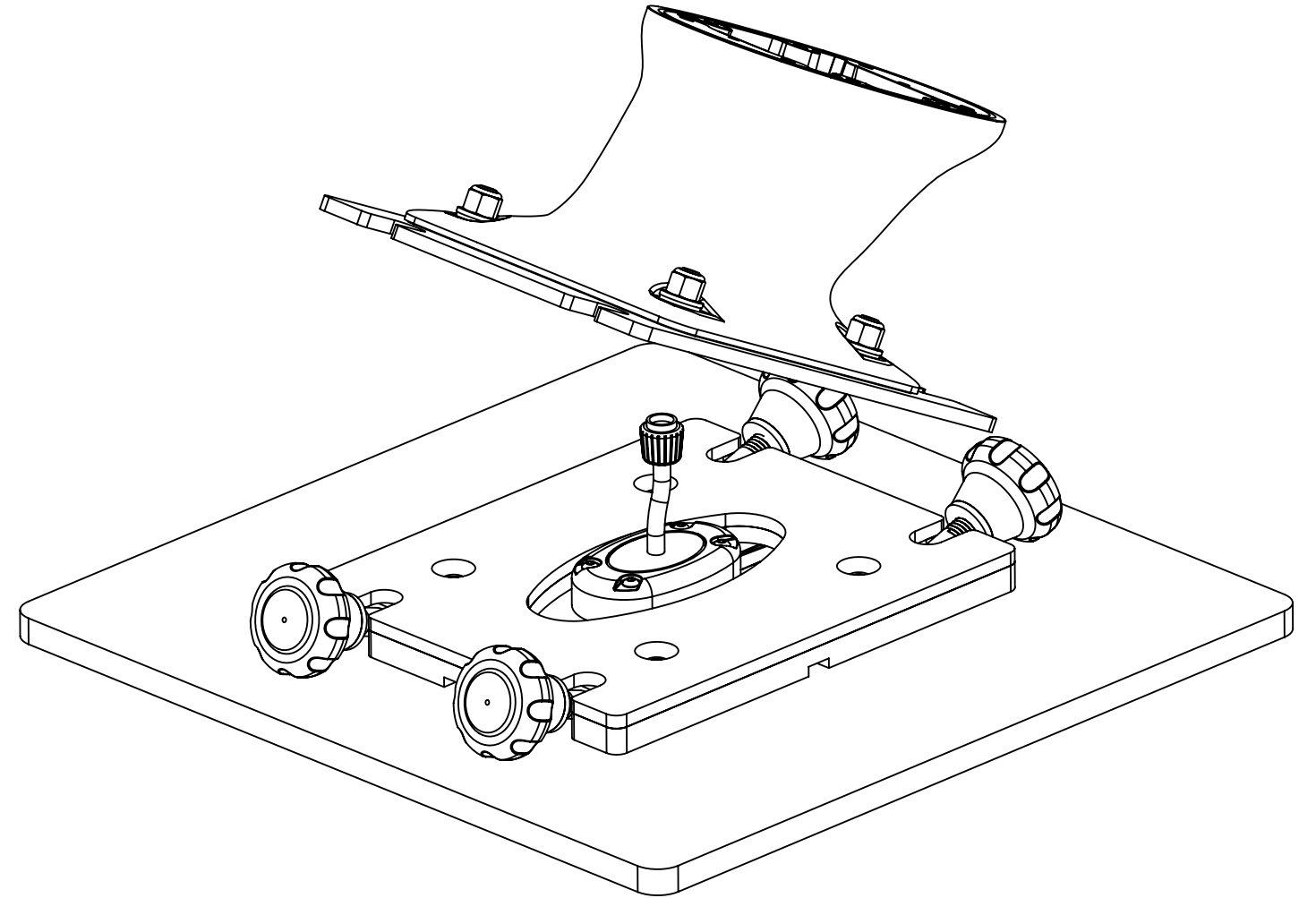
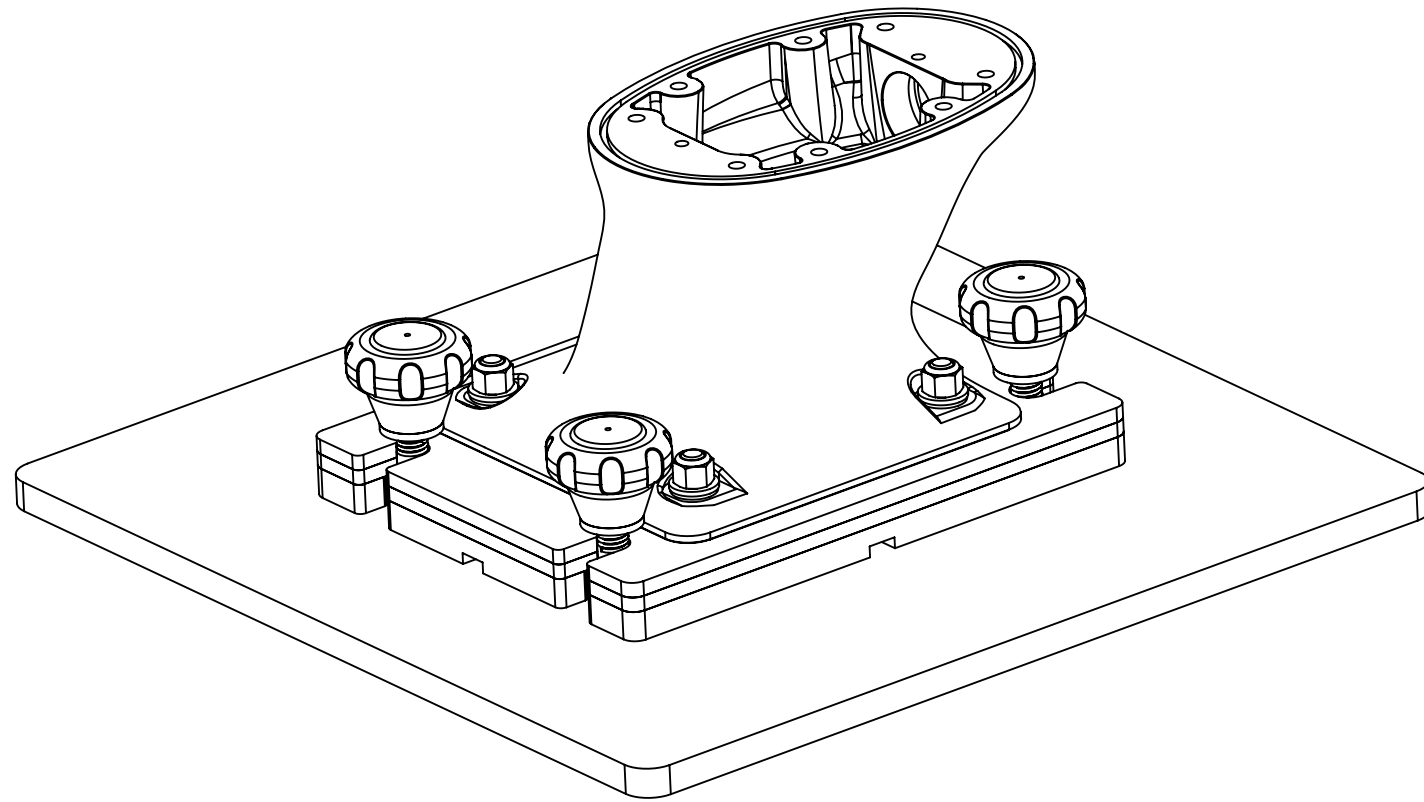
3 Using items (5) - (8), secure the desired mount (sold separately) to the aluminum plate in the order shown below. This creates the top half of the removable base assembly. This portion is lifted on and off.



For help e-mail
info@seaviewglobal.com
ph. 1-800-655-7922

4 To remove the top half, unscrew the knobs and disconnect cables to allow for easy disassembly.

SEAVIEW



For help e-mail
info@seaviewglobal.com
ph. 1-800-655-7922