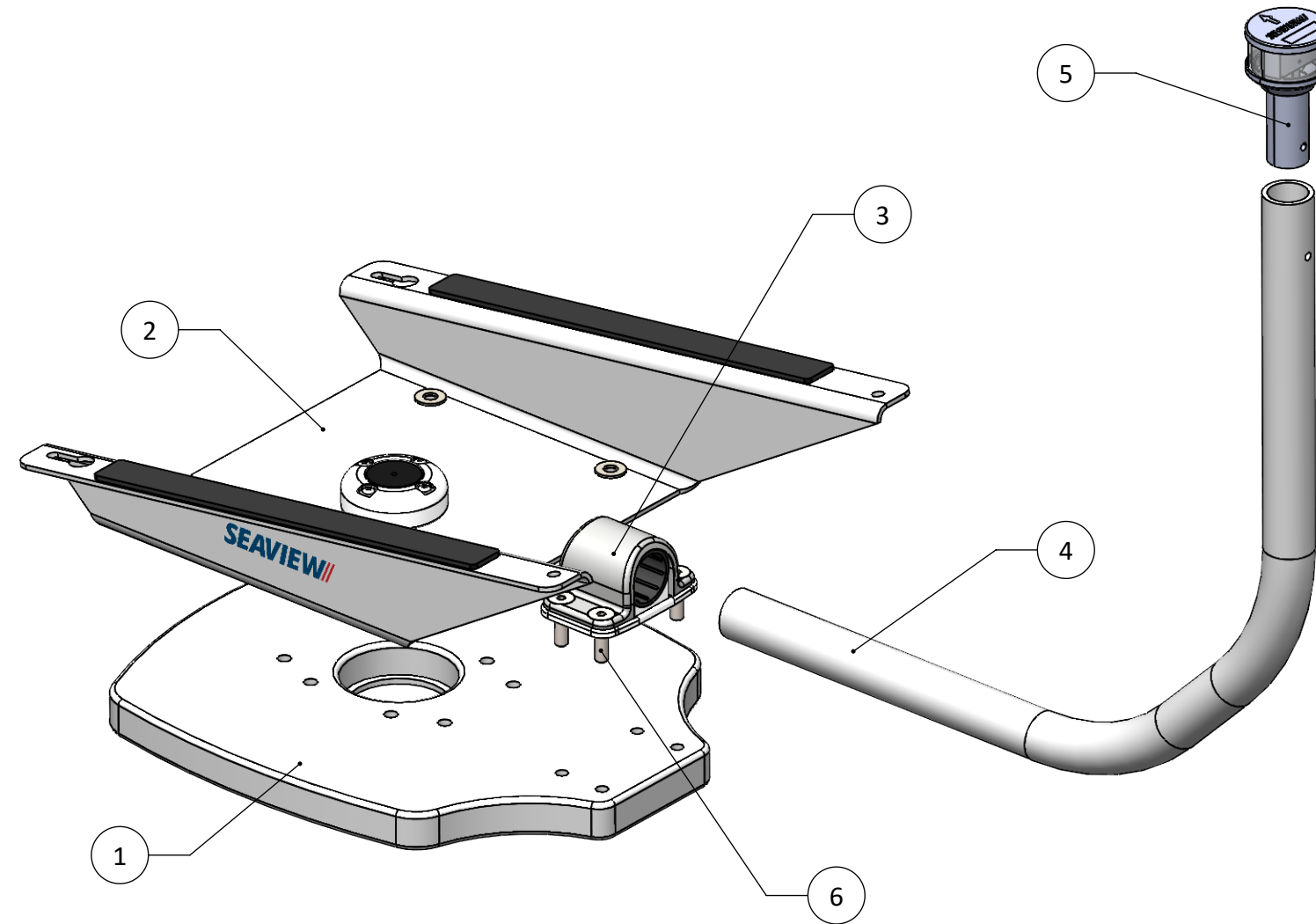


ITEM NO.	DESCRIPTION	QTY.
1	ADAR1DMLTB	1
2	SVSLWB	1
3	LTBSADDLEKIT (INCLUDED WITH LTBR)	1
4	LTBR	1
5	LTBLED12	1
6	5/16"-18 X 1.25" FHCS	4

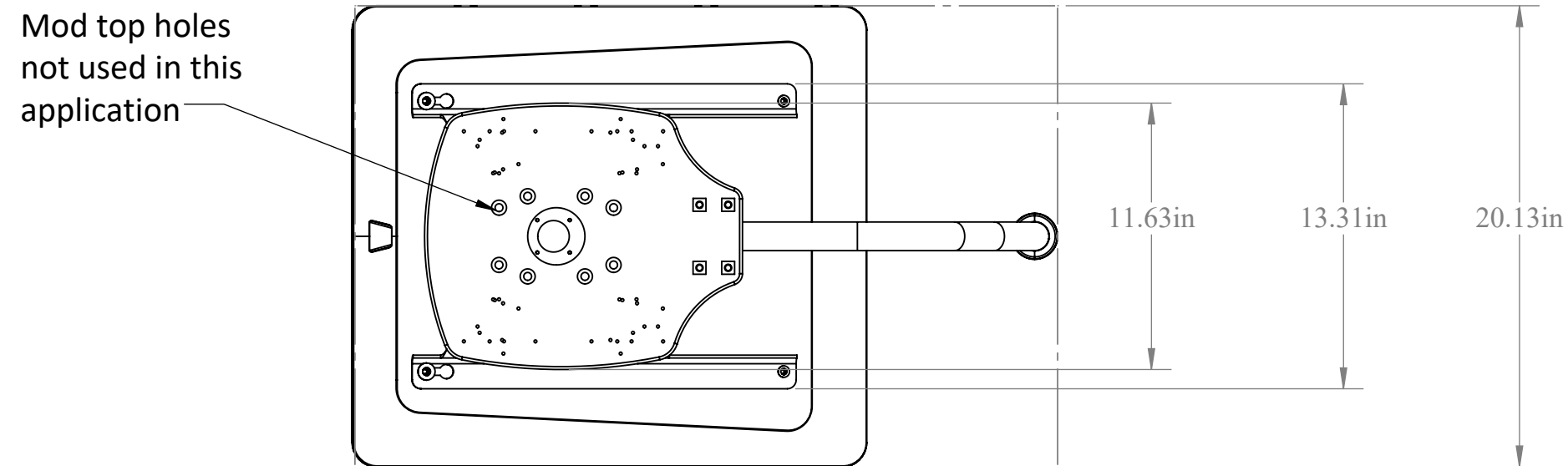
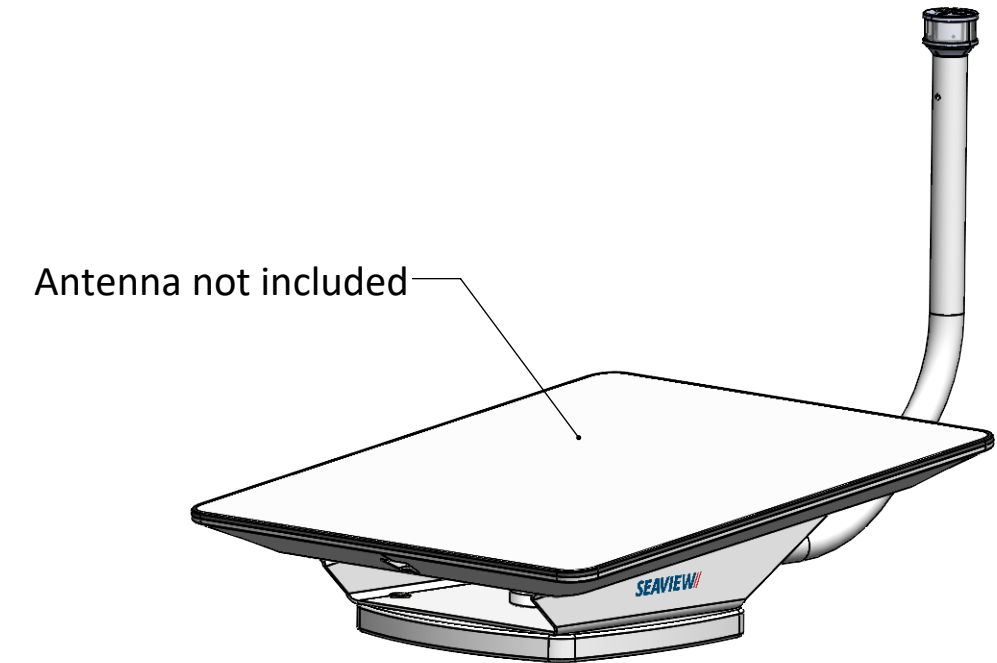
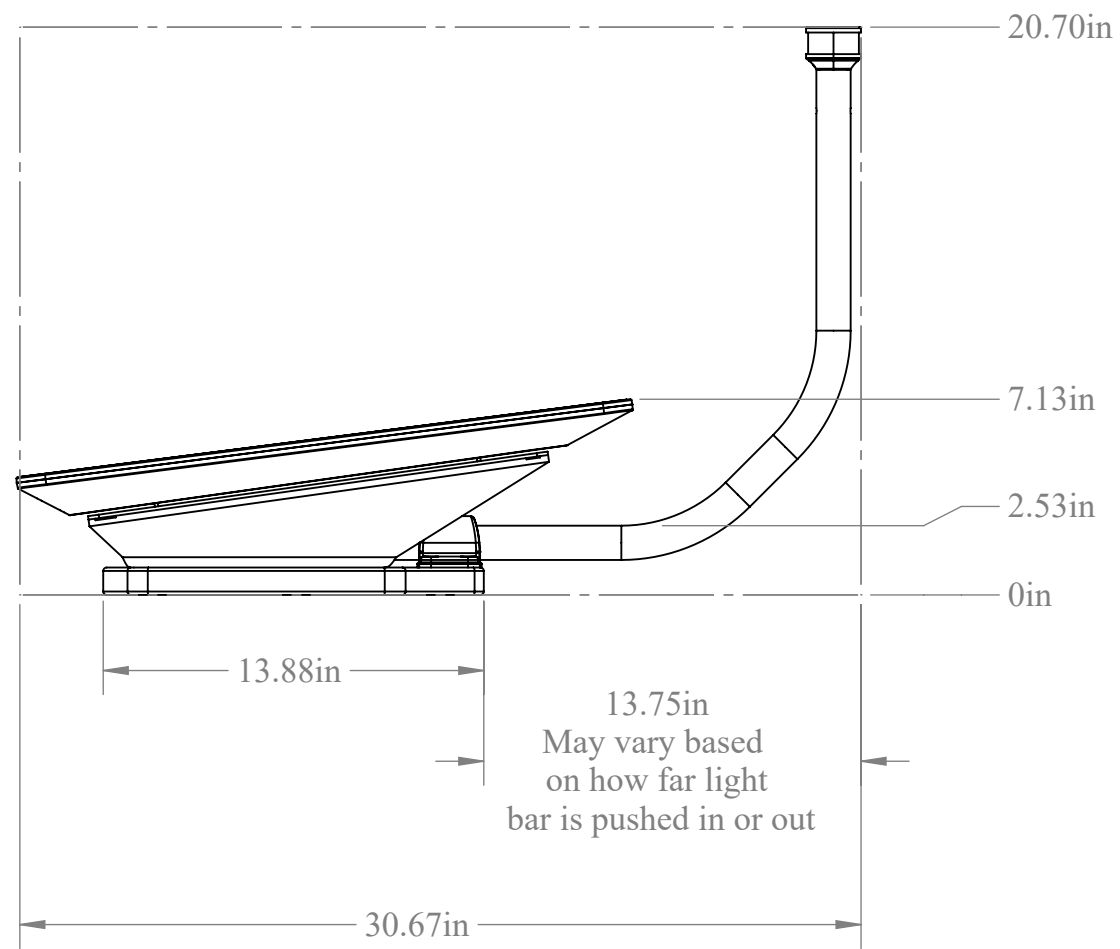


**Notes:**

1. Please note that some dimensions may not be shown (applies to all pages)
2. Do not scale drawing (applies to all pages)

**SVSLWBLED**

For help e-mail  
[info@seaviewglobal.com](mailto:info@seaviewglobal.com)  
 ph. 1-800-655-7922



**Notes:**

1. Bounding box shown for reference.

**SVSLWBLED**

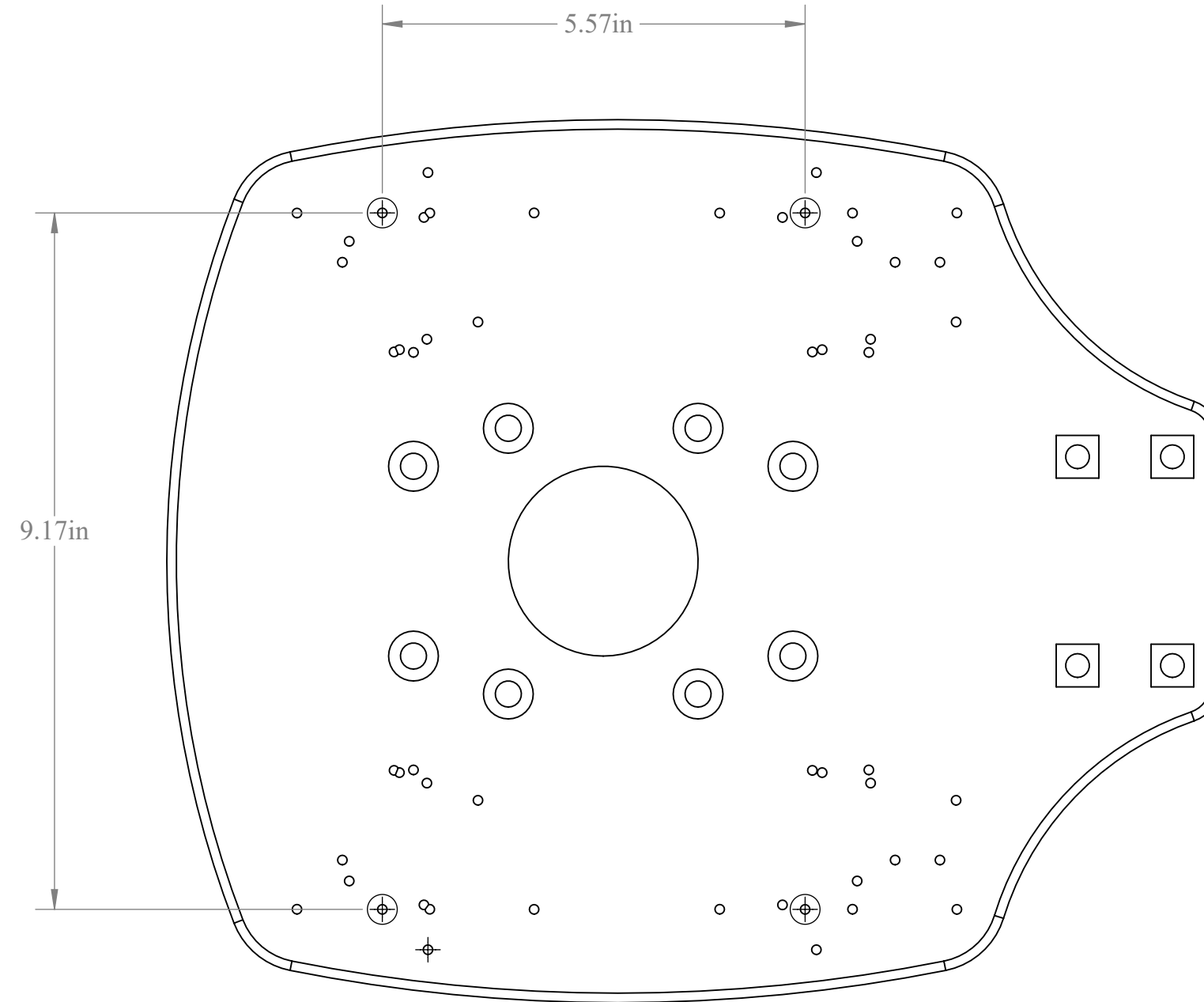
For help e-mail  
[info@seaviewglobal.com](mailto:info@seaviewglobal.com)  
 ph. 1-800-655-7922

## ***INSTALLATION INSTRUCTIONS BEGIN ON NEXT PAGE***

---

For help e-mail  
info@seaviewglobal.com  
ph. 1-800-655-7922

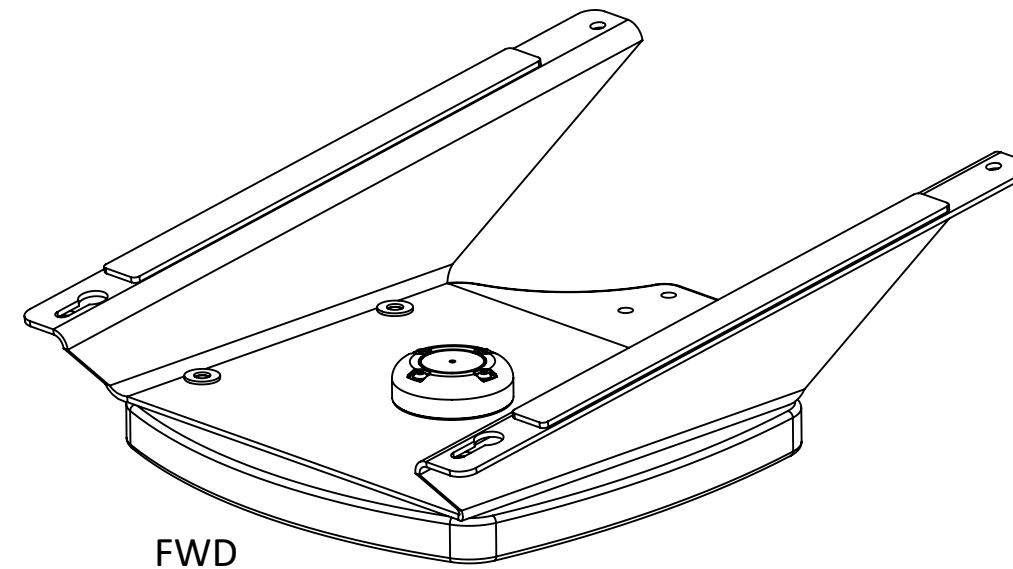
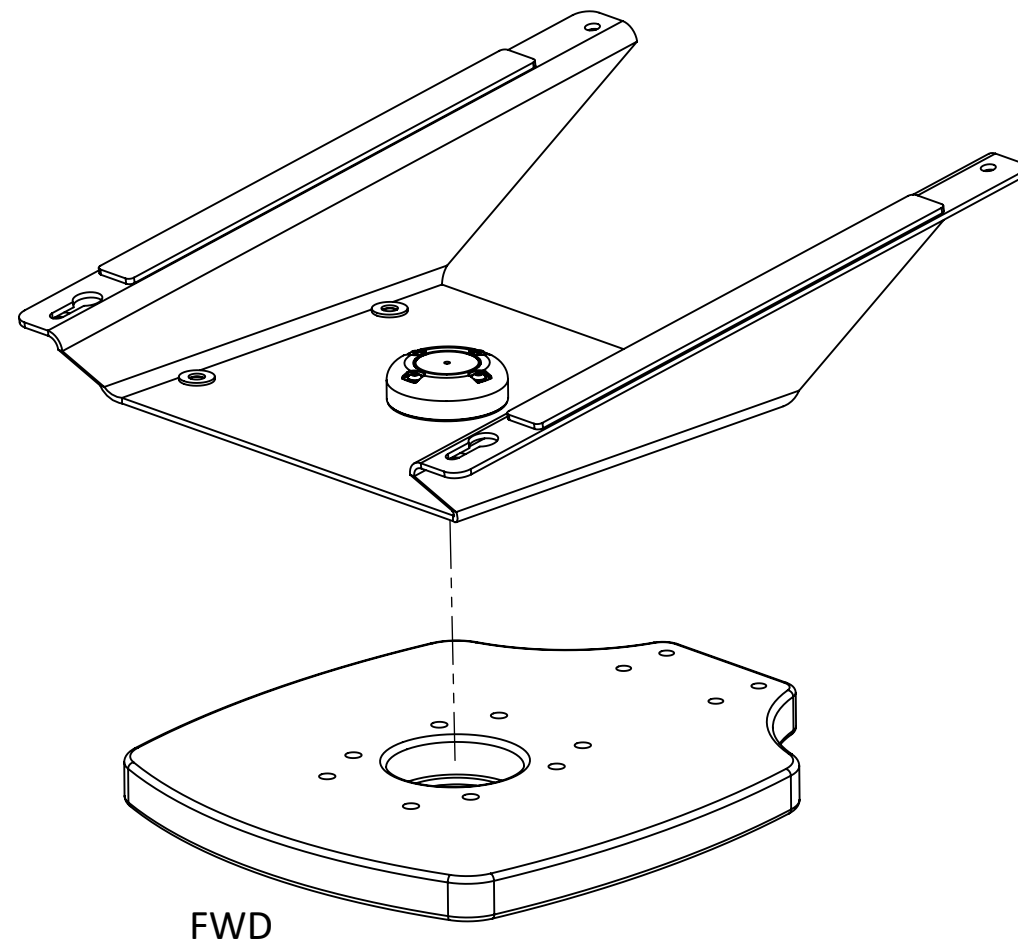
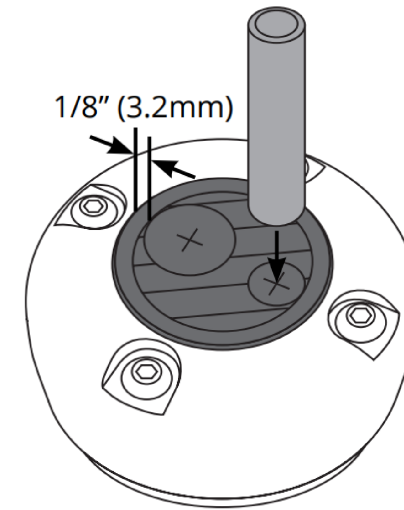
**1** Using hole pattern number 3 from [here](#), drill all the way through the plate. A 5/16" drill bit is recommended.



For help e-mail  
info@seaviewglobal.com  
ph. 1-800-655-7922

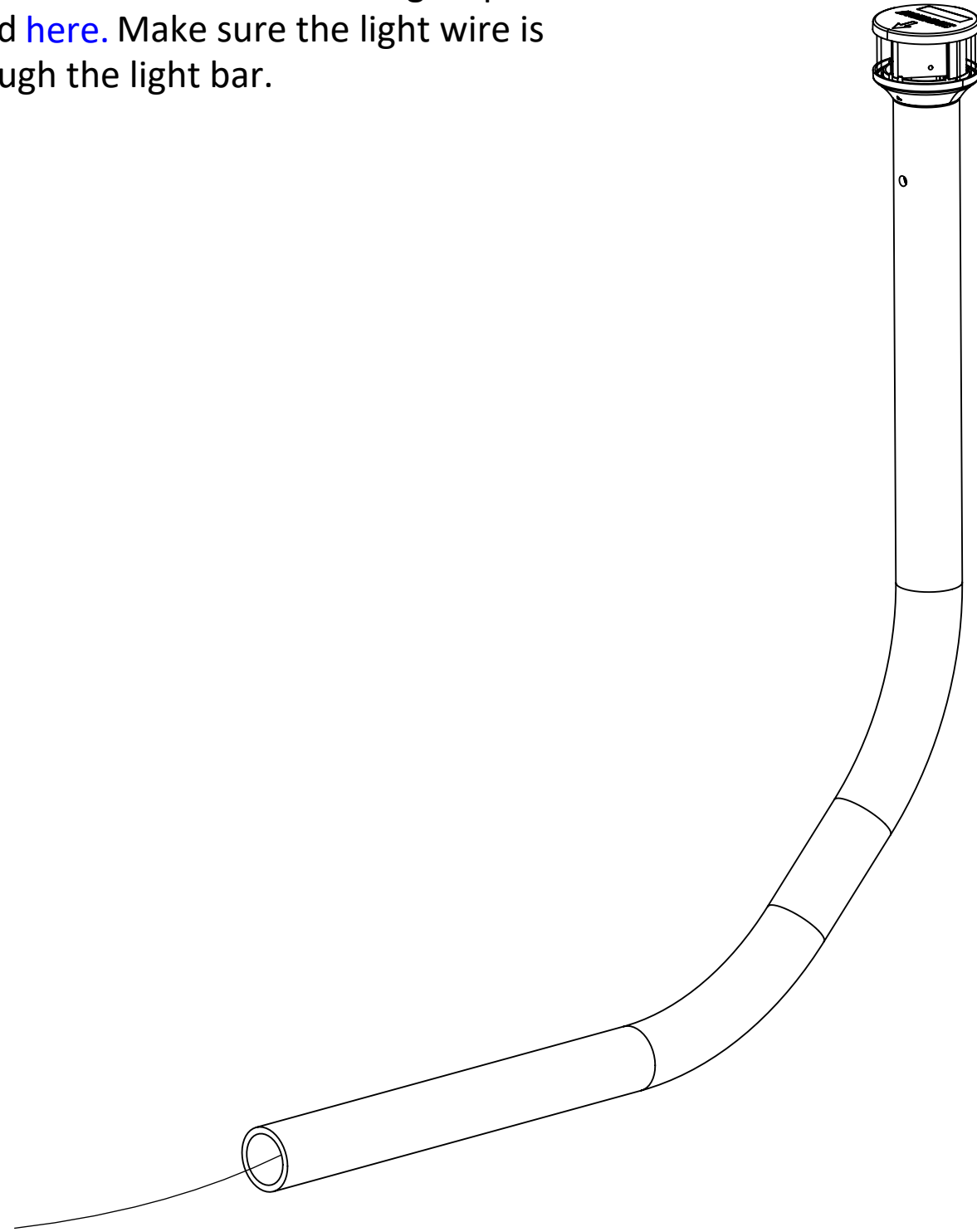
**2** Using the already drilled plate as a guide, mark and drill the 4 holes in the desired mounting location on the boat/vessel. Follow steps 2-4A in [these](#) instructions, except now the plate will sit under the wedge in the orientation shown below. You may choose to mount the antenna as in step 4A, but it may make it difficult to install the light bar later on.

There will be another hole drilled for the LTBLED12 wire in addition to the Starlink Flat HP wire. Make sure to leave at least 1/8" from outside edge of rubber plug.



For help e-mail  
[info@seaviewglobal.com](mailto:info@seaviewglobal.com)  
ph. 1-800-655-7922

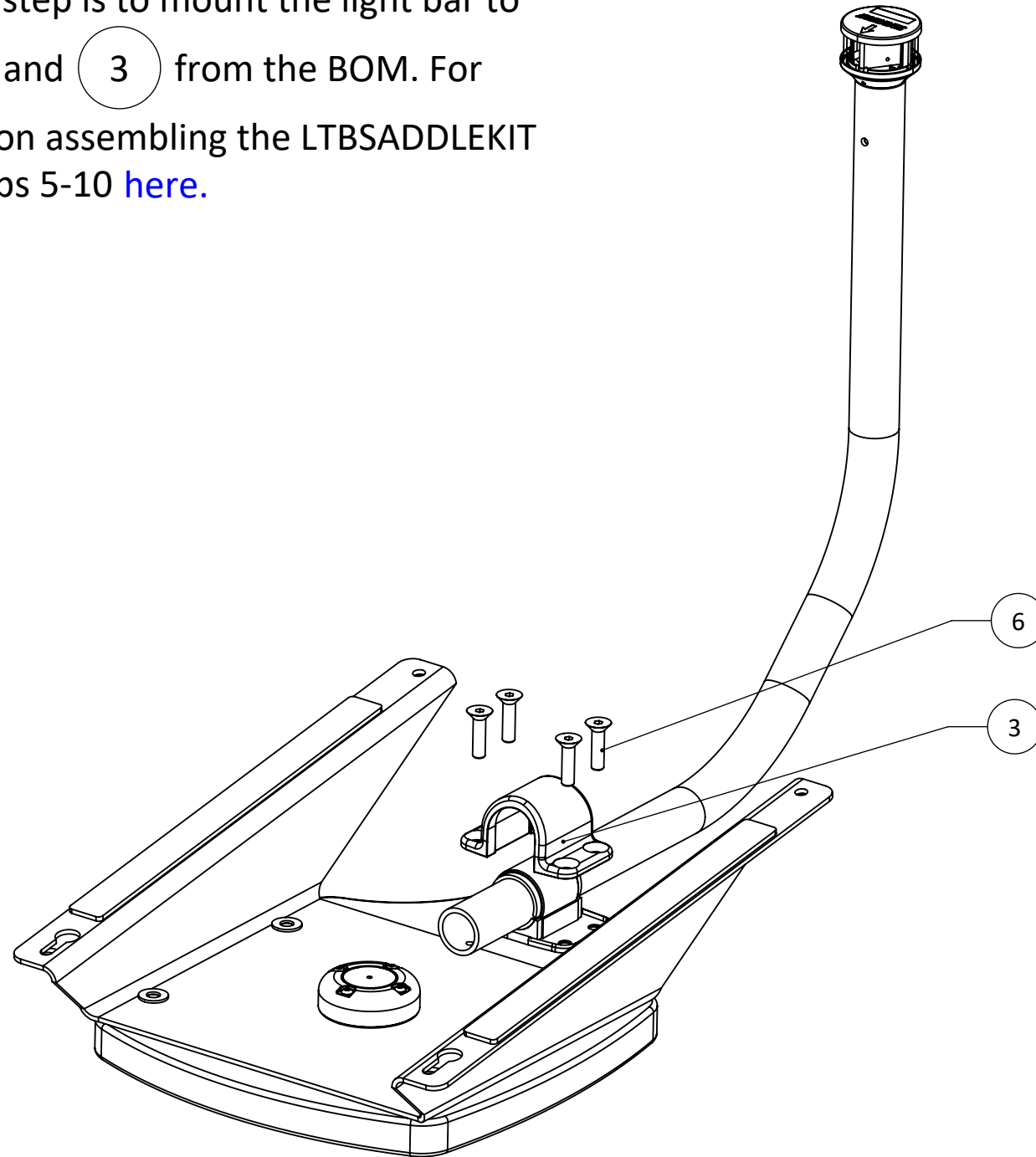
**3** Now, install the LTBLED12 into the LTBR following steps 1-3 in the instructions found [here](#). Make sure the light wire is routed completely through the light bar.



# SEAVIEW

For help e-mail  
info@seaviewglobal.com  
ph. 1-800-655-7922

**4** With the plate, wedge, and antenna secured to the mounting surface, the next step is to mount the light bar to the plate using items **6** and **3** from the BOM. For more detailed information on assembling the LTBSADDLEKIT and light bar, reference steps 5-10 [here](#).

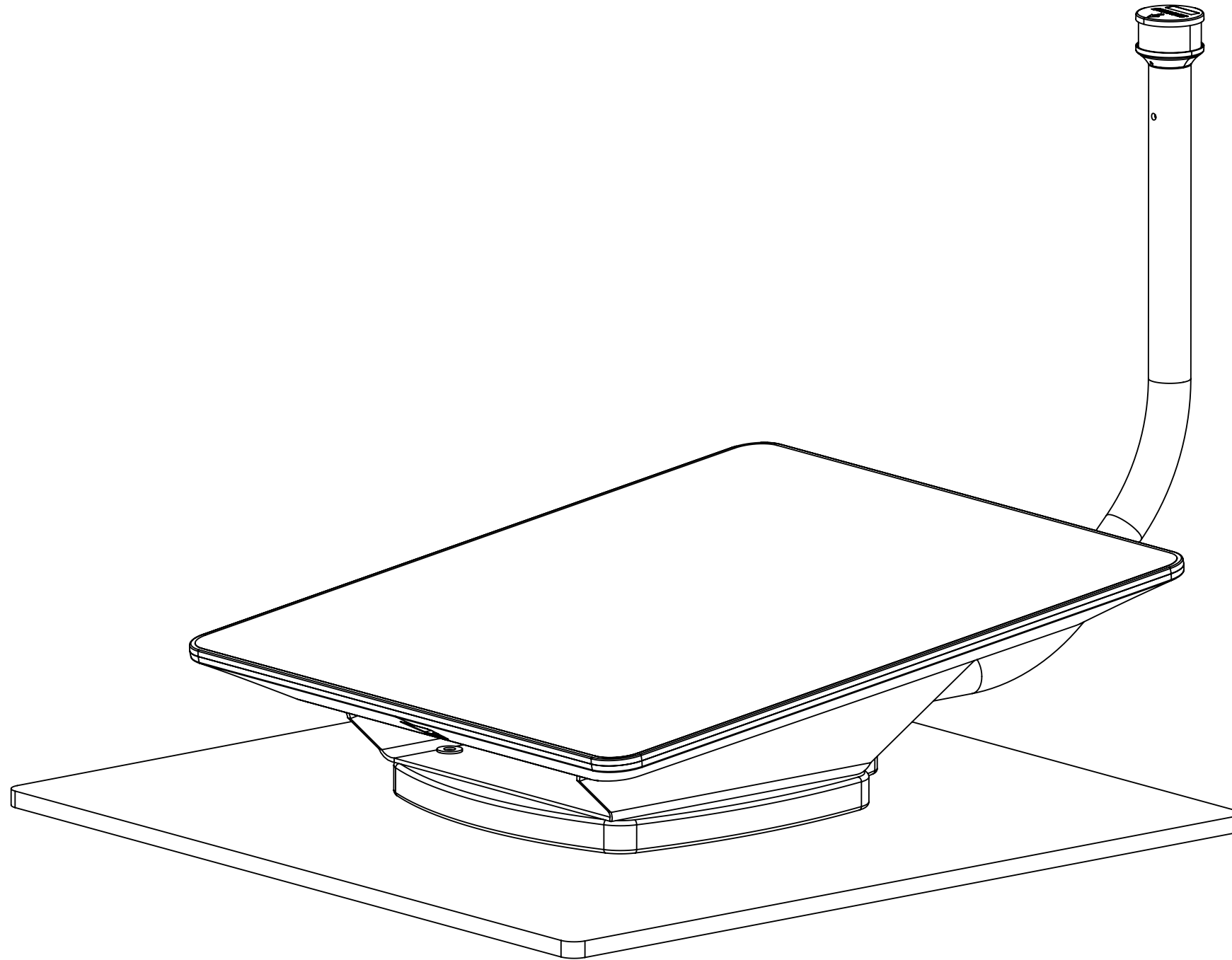


# SEAVIEW

For help e-mail  
info@seaviewglobal.com  
ph. 1-800-655-7922

**5** If not done already, route cables through cable seal, and then secure antenna to wedge as shown in steps 3-4A in [these](#) instructions.

# SEAVIEW



For help e-mail  
info@seaviewglobal.com  
ph. 1-800-655-7922