

Installation Overview

Following are instructions for the in-dash mount installation of the HELIX 5 control head. We encourage you to read this guide before starting the installation, so you may understand the installation requirements.

Customer Service: If you find that any items are missing from your installation kit, visit our Web site at humminbird.com or call Humminbird® Customer Service at **1-800-633-1468**.

Supplies: In addition to the hardware supplied with your accessory, you will need a drill and various drill bits, a cutting tool for the dashboard material, safety goggles, a dust mask, rubbing alcohol, and masking tape.

***NOTE:** The illustrations in this manual may not look the same as your product, but your unit will function in the same way.*

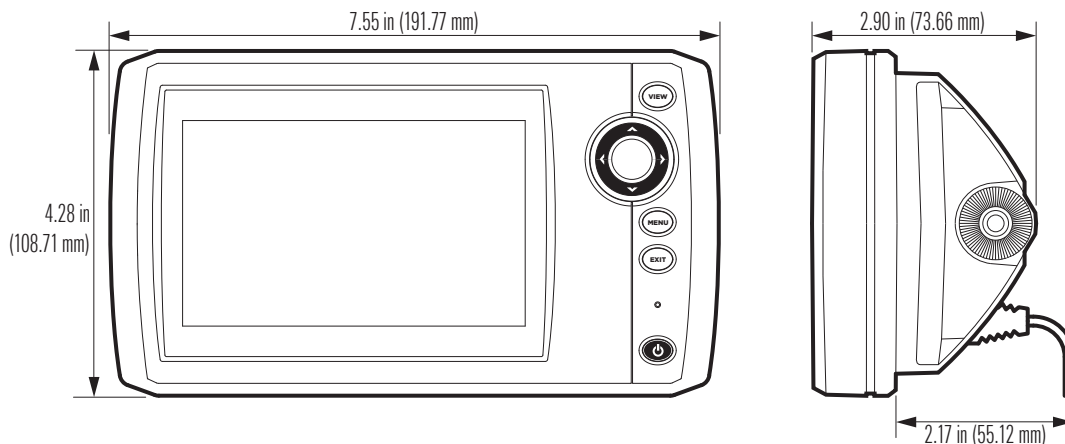
1. Plan the Mounting Location

Start by locating a suitable, flat area of the dashboard for mounting. Consider the following to find the best mounting location:

- **Standard Compass Safe Distance:** The control head must be installed at least 4 feet (1.2 m) from the compass or other magnetic equipment on the vessel.
- **Interference:** The mounting location must provide adequate distance from electric motors or any equipment that may cause electronic interference.
- **Stability:** The mounting area should be protected from waves, shock, vibration, and water.
- **Depth:** The mounting area should have a depth of 3 inches (7.62 cm) to allow space for the control head and cables.
- **Ventilation:** The area beneath the mounting surface should be well-ventilated.
- **Accessibility:** The location should be easily accessible for all cables to reach the ports on the back of the control head.

***NOTE:** If a cable is too short for your application, extension cables are available. For assistance, contact Humminbird Customer Service at humminbird.com or call **1-800-633-1468**.*

HELIX 5 Series In-Dash Mount Dimensions



2. Cut the In-Dash Mounting Hole

To in-dash mount the HELIX control head, start by placing the components on the surfaces where you intend to install them.

1. Review the instructions, measurements, and cutting options indicated on the In-dash Mounting Template.
 2. Tape the template to the chosen in-dash mounting location.
 3. Using the template, select the cutting method that is best for your boat:
 - Drill one entry hole away from the main cut line that is large enough to insert the blade of your cutting tool.
- OR**
- Drill a corner hole away from the main cut line using a drill bit that will create a hole as close to a diameter of .42 inches (10.7 mm) as possible. Repeat for the other three corners as indicated on the template. Use one of the corner holes as an entry hole, or drill an additional entry hole away from the main cut line.
4. Carefully begin cutting toward the dotted cut line, and continue cutting to the **inside of the line** around the template.
 5. Test the fit of the control head in the mounting hole and make adjustments to the mounting hole, as needed. Remove the template when finished.
 6. Thoroughly clean and deburr the mounting hole.

3. Install the Control Head

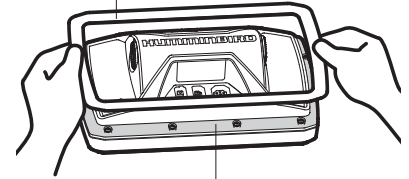
1. **Clean the Mating Surfaces:** Use rubbing alcohol to clean the edges of the in-dash mounting hole and the back rim of the control head where the gasket will be installed (see the illustration *Installing the Gasket*). Allow the cleaned areas to dry completely.
2. Place the control head, with the screen facing down, on a towel or cloth on a stable and level surface.
3. Peel the brown liner from the adhesive backing on the gasket.
4. Hold the sides of the plastic film attached to the gasket with the adhesive side facing down (see the illustration *Installing the Gasket*). Carefully align the gasket around the rim of the control head so it is centered. Confirm there are no uneven gaps.

WARNING! Use caution when handling the gasket. Do not allow the adhesive to touch the sides or rear of the control head during installation.

5. **Lightly press one side of the gasket** down onto the flat rim of the control head.
6. Confirm the alignment has not changed and that the gasket is centered around the control head. Then lightly press down on the remaining sides of the gasket. Make adjustments, as needed.
7. Carefully peel the plastic film from the gasket.
8. Insert the control head through the mounting hole from the front side of the dash. **Press down firmly around the sides of the control head for 20 seconds to secure the adhesive.**

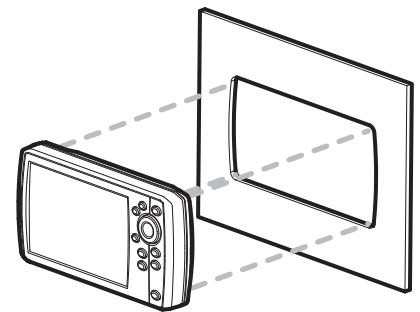
Installing the Gasket

Confirm the gasket is evenly centered around the rim of the control head.

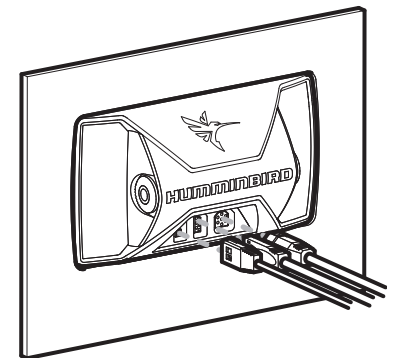


Install the gasket along the flat rim of the control head (highlighted in grey).

Installing the Control Head

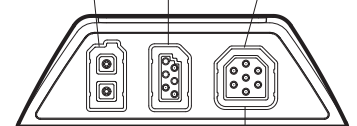


Connecting the Cables



Control Head Ports

power COM (communications) transducer



Optional: Use a Y-Cable to connect Transducer and Speed Sensor Accessory

4. Route and Connect the Cables

1. See the installation guides included with each hardware component to install power and other optional equipment.
2. Route all cables (power, transducer, accessories) to the control head and insert the connectors into the correct ports on the back of the control head (see the illustrations *Connecting the Cables* and *Control Head Ports*).

CAUTION! Do NOT mount the cables where the connectors could be submerged in water or flooded. If cables are installed in a splash-prone area, it may be helpful to apply dielectric grease to the inside of the connectors to prevent corrosion. Dielectric grease can be purchased separately from a general hardware or automotive store.

Your control head is ready for on-the-water operation. See your control head operations manual for further details.

1-Year Limited Warranty

We warrant the original retail purchaser that products made by Humminbird have been manufactured free from defects in materials and workmanship. This warranty is effective for one year from the date of original retail purchase. Humminbird products found to be defective and covered by this warranty will be repaired or replaced free of charge at Humminbird's option and returned to the customer freight prepaid. Humminbird's sole responsibility under this warranty is limited to the repair or replacement of a product that has been deemed defective by Humminbird. Humminbird is not responsible for charges connected with the removal of such product or reinstallation of replaced or repaired parts.

This warranty does not apply to a product that has been:

- Improperly installed;
- Used in an installation other than that recommended in the product installation and operation instructions;
- Damaged or has failed because of an accident or abnormal operation;
- Repaired or modified by entities other than Humminbird.

Please retain your original receipt as a proof of the purchase date. This will be required for in-warranty service.

THIS WARRANTY IS EXPRESSLY IN LIEU OF ANY OTHER WARRANTIES, OBLIGATIONS OR LIABILITIES ON THE PART OF HUMMINBIRD AND WILL BE THE CUSTOMER'S EXCLUSIVE REMEDY, EXCEPT FOR ANY APPLICABLE IMPLIED WARRANTIES UNDER STATE LAW WHICH ARE HEREBY LIMITED IN DURATION TO ONE YEAR FROM THE DATE OF ORIGINAL PURCHASE. IN NO EVENT WILL HUMMINBIRD BE LIABLE FOR ANY INCIDENTAL OR CONSEQUENTIAL DAMAGES FOR BREACH OF ANY EXPRESS OR IMPLIED WARRANTY RELATING TO THE PRODUCTS.

Some states do not allow limitations on an implied warranty, or the exclusion of incidental or consequential damages, so the above exclusions may not apply to you. You may also have other rights, which vary from state to state.

Humminbird Service Policy

Even though you'll probably never need to take advantage of our incredible service policy, it's good to know that we back our products this confidently. We do it because you deserve the best. We will make every effort to repair your unit within three business days from the receipt of your unit at our factory. This does not include shipping time to and from our factory. Units received on Friday are typically shipped by the following Wednesday, units received Monday are typically shipped by Thursday, etc.

All repair work is performed by factory-trained technicians to meet exacting factory specifications. Factory-serviced units go through the same rigorous testing and quality control inspections as new production units.

After the original warranty period, a standard flat rate service charge will be assessed for each repair (physical damage and missing parts are not included). Any repairs made after the original warranty will be warranted for an additional 90 days after service has been performed by our factory technicians. You can contact Humminbird Customer Service or visit our Web site to verify the flat rate repair fee for your product (visit the Product Support section):

<http://www.humminbird.com>

We reserve the right to deem any product unserviceable when replacement parts are no longer available or impossible to obtain. This Service Policy is valid in the United States only. This applies only to Humminbird products returned to our factory in Eufaula, Alabama. This Service Policy is subject to change without notice.

DOMESTIC (USA) CUSTOMERS:

PLEASE DO NOT RETURN THIS PRODUCT TO STORE FOR SERVICE

For all technical issues please call **1-800-633-1468**
or visit **www.humminbird.com**, click **SUPPORT**.

Please reference product serial number and model number when contacting Humminbird.

HELIX 5 Series™ In-Dash Mounting Installation Guide

532319-1_A

Returning Your Unit for Service

Before sending your unit in for repair, please contact the factory, either by phone or by email, to obtain a Repair Authorization Number for your unit.

NOTE: Please do not return your Humminbird to the store for service.

Please have your product model name and serial number available before calling the factory. If you contact the factory by e-mail, please include your product model name and serial number in the e-mail, and use Request for Repair Authorization Number for your e-mail subject header. You should include your Repair Authorization Number in all subsequent communications about your unit.

For IN-WARRANTY service, complete the following steps:

- Obtain a Repair Authorization Number from Humminbird Customer Service.
- Tag product with your name, street address, phone number and your assigned Repair Authorization Number.
- Include a brief written description of the problem.
- Include a copy of your receipt (to show proof and date of purchase).
- Return product freight prepaid to Humminbird, using an insured carrier with delivery confirmation.

For OUT-OF-WARRANTY service, complete the following steps:

- Obtain a Repair Authorization Number from Humminbird Customer Service.
- Include payment in the form of credit card number and expiration date, or a money order. Please do not send cash.
- Tag product with your name, street address, phone number and your assigned Repair Authorization Number.
- Include a brief written description of the problem.
- Return product freight prepaid to Humminbird, using an insured carrier with delivery confirmation.

Contact Humminbird

Web site	humminbird.com
E-mail	service@humminbird.com
Telephone	1-800-633-1468
Direct Shipping	Humminbird Service Department 678 Humminbird Lane Eufaula, AL 36027 USA

WARNING! This device should not be used as a navigational aid to prevent collision, grounding, boat damage, or personal injury. When the boat is moving, water depth may change too quickly to allow time for you to react. Always operate the boat at very slow speeds if you suspect shallow water or submerged objects.

WARNING! Disassembly and repair of this electronic unit should only be performed by authorized service personnel. Any modification of the serial number or attempt to repair the original equipment or accessories by unauthorized individuals will void the warranty.

WARNING! This product contains chemicals known to the State of California to cause cancer and birth defects or other reproductive harm.

ENVIRONMENTAL COMPLIANCE STATEMENT: It is the intention of Johnson Outdoors Marine Electronics, Inc. to be a responsible corporate citizen, operating in compliance with known and applicable environmental regulations, and a good neighbor in the communities where we make or sell our products.

WEEE DIRECTIVE: EU Directive 2002/96/EC "Waste of Electrical and Electronic Equipment Directive (WEEE)" impacts most distributors, sellers, and manufacturers of consumer electronics in the European Union. The WEEE Directive requires the producer of consumer electronics to take responsibility for the management of waste from their products to achieve environmentally responsible disposal during the product life cycle.

WEEE compliance may not be required in your location for electrical & electronic equipment (EEE), nor may it be required for EEE designed and intended as fixed or temporary installation in transportation vehicles such as automobiles, aircraft, and boats. In some European Union member states, these vehicles are considered outside of the scope of the Directive, and EEE for those applications can be considered excluded from the WEEE Directive requirement.



This symbol (WEEE wheelee bin) on product indicates the product must not be disposed of with other household refuse. It must be disposed of and collected for recycling and recovery of waste EEE. Johnson Outdoors Marine Electronics, Inc. will mark all EEE products in accordance with the WEEE Directive. It is our goal to comply in the collection, treatment, recovery, and environmentally sound disposal of those products; however, these requirements do vary within European Union member states. For more information about where you should dispose of your waste equipment for recycling and recovery and/or your European Union member state requirements, please contact your dealer or distributor from which your product was purchased.