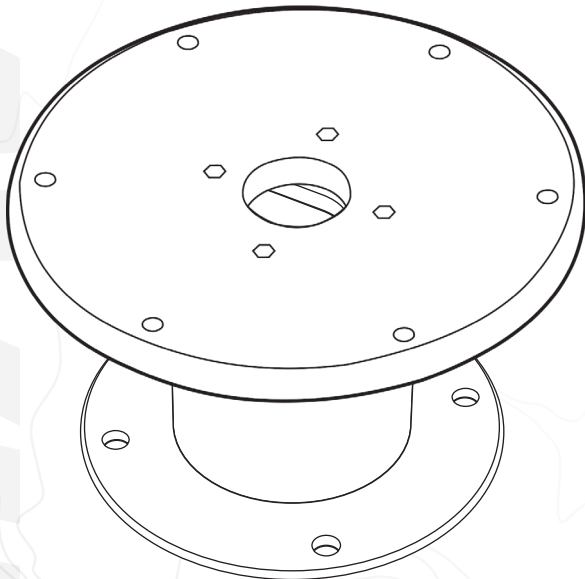


# **SEAVIEW**

**ELEVATE YOUR ELECTRONICS**



## **INSTALLATION INSTRUCTIONS**

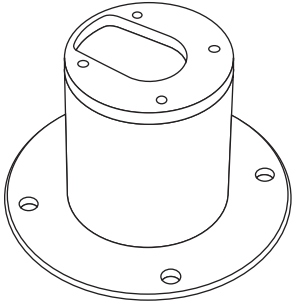
For Seaview Camera Mount:

**PM5FM38**

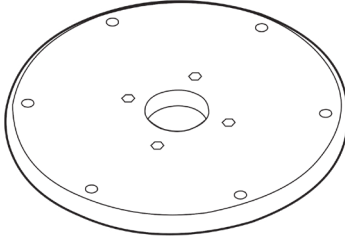
Refer to website for most up to  
date instructions and videos.

**[WWW.SEAVIEWGLOBAL.COM](http://WWW.SEAVIEWGLOBAL.COM)**

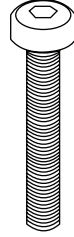
# PARTS INCLUDED



x1

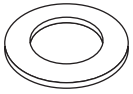


x1

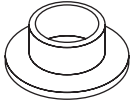


1/4-20 x 138"

x6



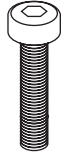
x10



x4



x10

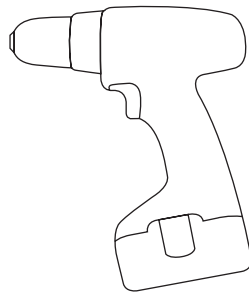
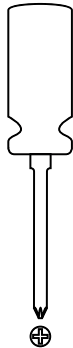
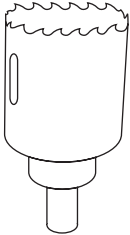


1/4-20 x 78"

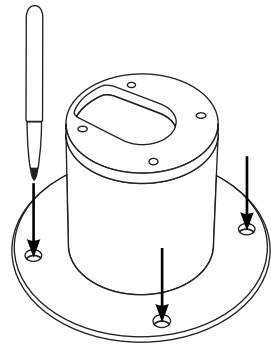
x4

---

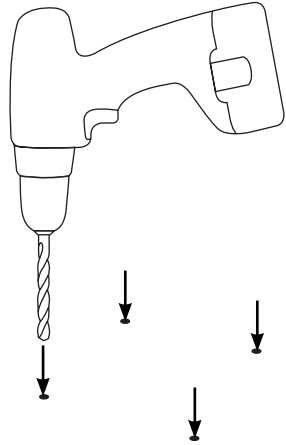
# TOOLS NEEDED



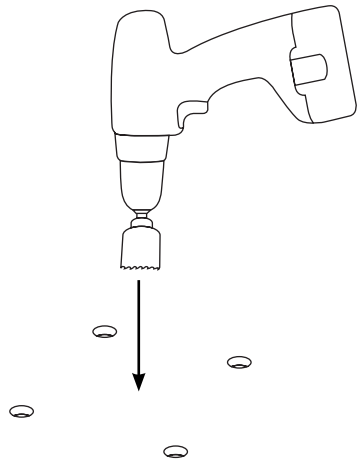
**1** Mark the four holes for the base.



**2** Drill the four holes for the base.

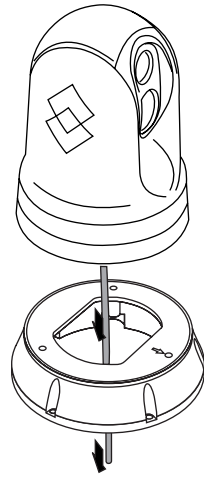


**3** Using a hole saw, cut a hole for the electronics cable.

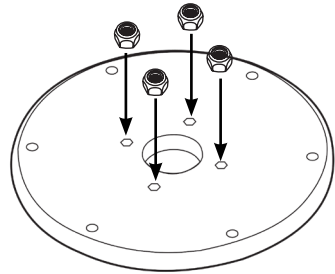


**4** Route the electronics cable through the FLIR top down riser and place the camera on top of the riser.

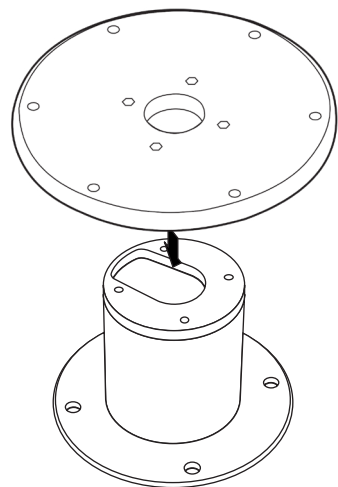
Secure the FLIR M300 to the riser with the supplied hardware. Refer to FLIR instructions on how to bolt them together.



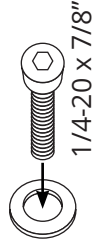
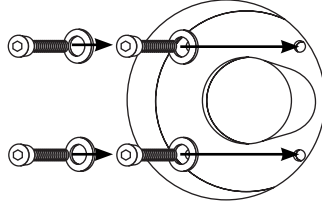
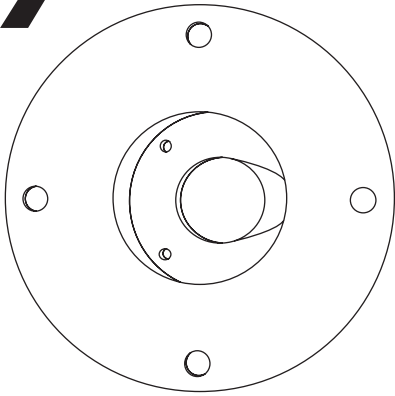
**5** Insert the four nuts into the top plate of the PM5FM38. Note, this may have already been done for you.



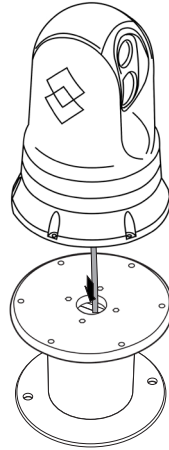
**6** Place the top mounting plate onto the PM5FM38. Be sure that the four mounting holes are lined up.



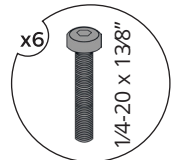
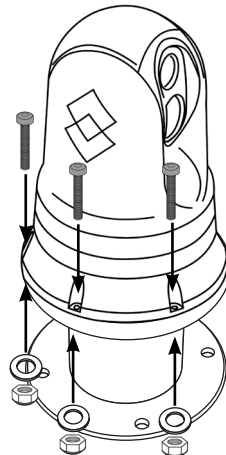
**7** Secure the mounting plate to the mount using four washers and bolts using an allen wrench.



**8** Place the camera on top of the mounting plate, making sure to line up the six mounting holes.

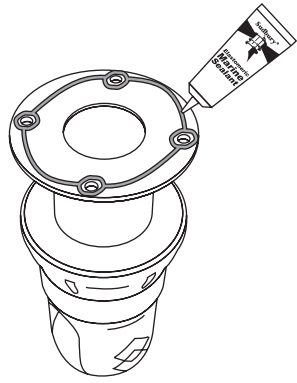


**9** Screw the adapter plate to the PM5FM38 using the six 1/4-20 x 1 3/8" bolts with an allen wrench



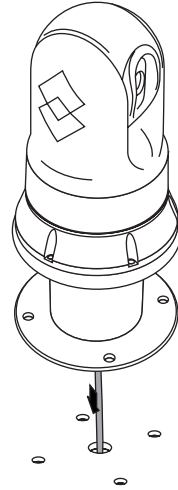
# 10

Apply marine adhesive sealant around the bottom of the mount. Be sure to go around the bolt holes.



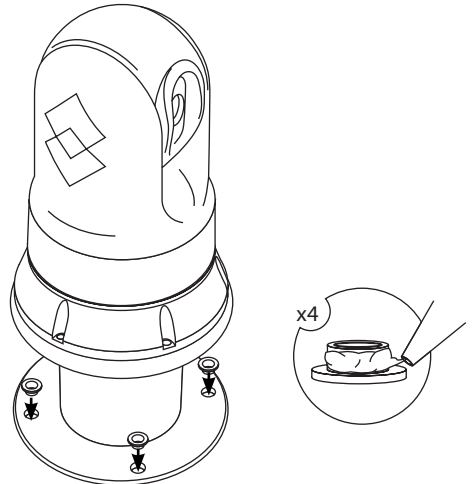
# 11

Place the mount onto the mounting surface.



# 12

Insert the four nylon washers into the base bolt holes. Apply marine adhesive sealant around the nylon washers.



A background of a topographic map with contour lines, rendered in a light gray color. The map shows various landmasses and water bodies, with the lines indicating elevation changes.

***SEAVIEW***///  
***ELEVATE YOUR ELECTRONICS***

***SEAVIEW***///

Tel: 800-655-7922  
[www.seaviewglobal.com](http://www.seaviewglobal.com)

***EUROPEAN OFFICE***

Tel: +33 4 94 53 27 70  
[www.seaviewprogress.com](http://www.seaviewprogress.com)