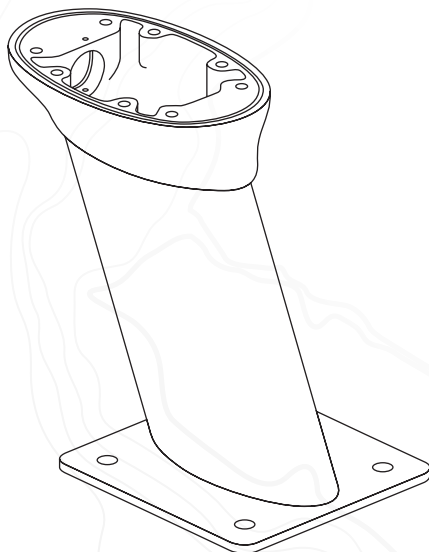


SEAVIEW

ELEVATE YOUR ELECTRONICS



INSTALLATION INSTRUCTIONS

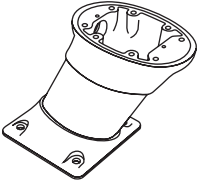
For Seaview Modular Mount:

**PMF-107-M1, PMA-107-M1, PMA167-M1
PMA-247-M1, PMA367-M1**

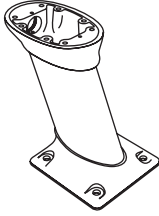
Refer to website for most up to
date instructions and videos.

WWW.SEAVIEWGLOBAL.COM

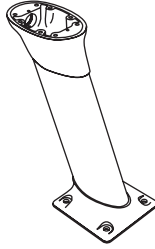
PARTS INCLUDED



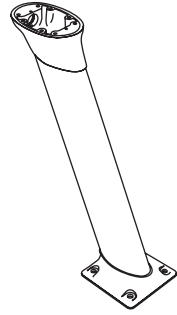
PMF-107-M1



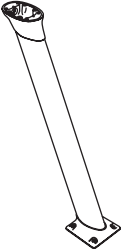
PMA-107-M1



PMA-167-M1



PMA-247-M1



PMA-367-M1



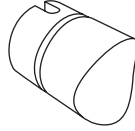
x4



x1

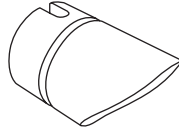


x1



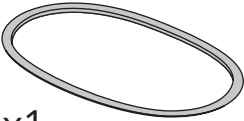
x1

To be used with PMF-107-M1

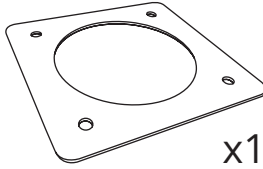


x1

To be used with PMA-107-M1, PMA-167-M1, PMA-247-M1, PMA367-M1



x1



x1

TOOLS NEEDED



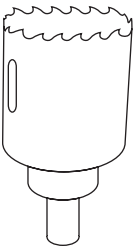
x4



x4



Sudbury Elastomeric Marine Sealant is recommended. To purchase call 800-655-7922 or visit www.seaviewglobal.com



1 1/2" = 38mm

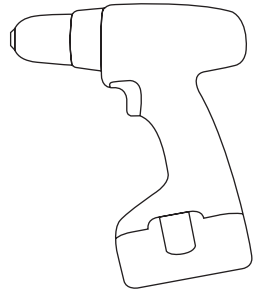


3/8" = 9.5mm

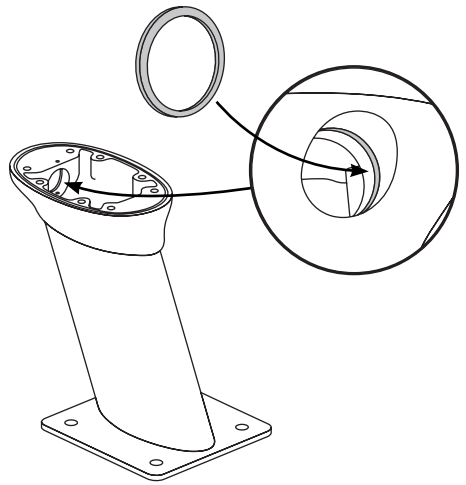


x4

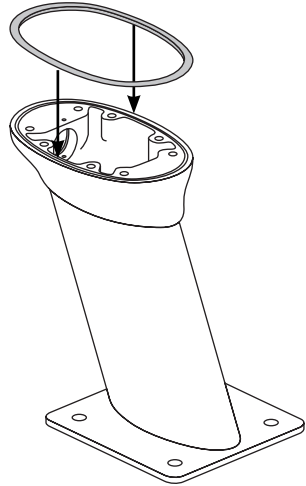
3/8" = 9.5mm



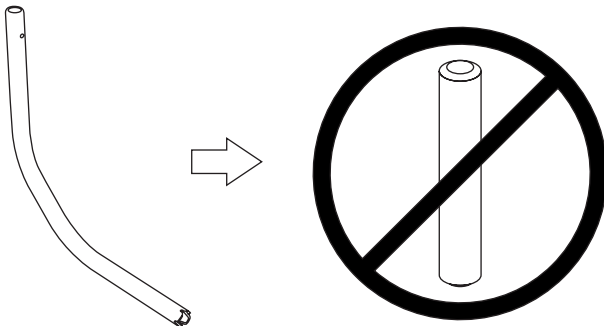
1 Insert the o-ring into the groove of the Light Bar hole.



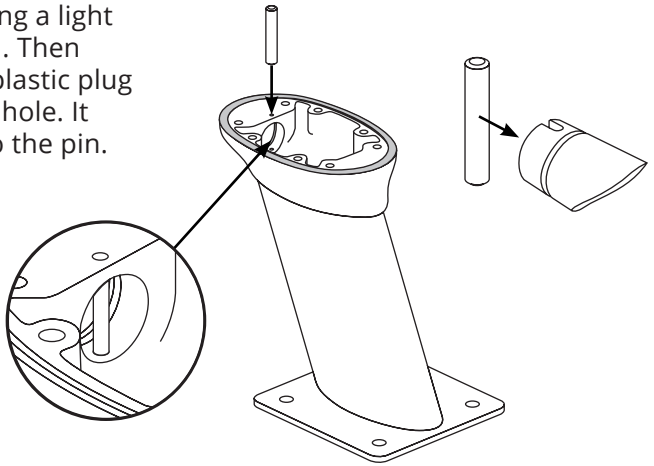
2 Place rubber gasket in the groove on the top of the mount.



3 If you are using a light bar, do not use the copper pin.

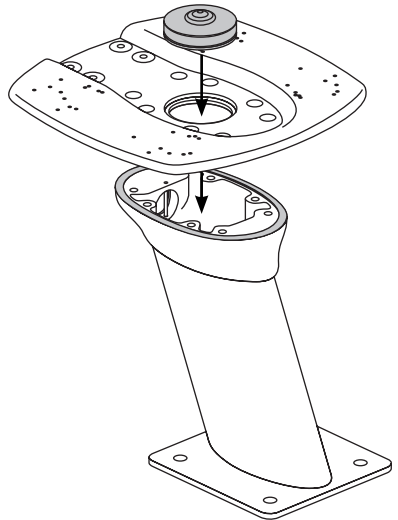


- 4** If you are not using a light bar insert the pin. Then insert the white plastic plug into the light bar hole. It should snap onto the pin.

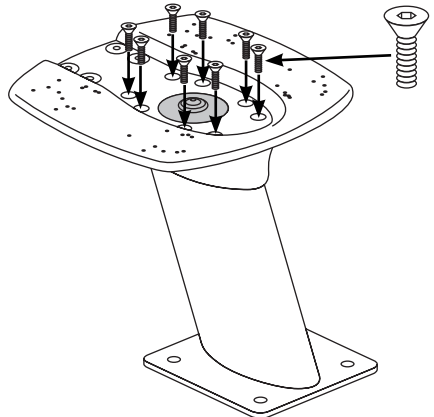


- 5** Insert the rubber radar cable grommet into the center of the Seaview Top Plate (sold separately). Make sure that the lip in the center of the Top Plate hole sits in the groove of the rubber grommet.

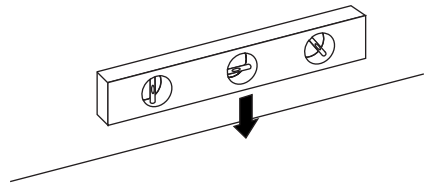
Then place the Top Plate on top of the mount, making sure that eight bolt holes line up. Refer to the Seaview Top Plate instructions.



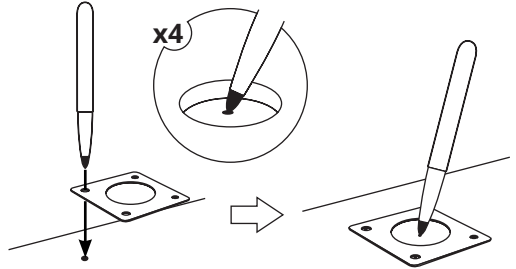
- 6** Using the eight 5/16 - 18x1" bolts from the Seaview Top Plate kit, bolt down the Top Plate.



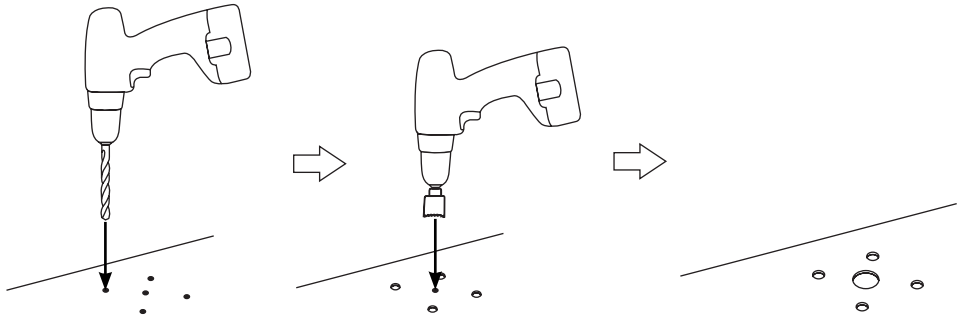
7 Using a straight edge make sure that the mounting surface is flat.



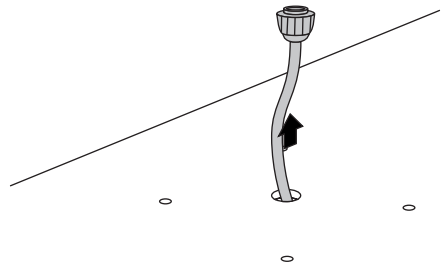
8 Mark the four bolt holes and center radar cable hole using the foam gasket as a template.



9 Using a $\frac{3}{8}$ " drill bit, drill the four bolt holes.
Use a $1\frac{1}{2}$ " hole saw to cut a hole for the radar cable.

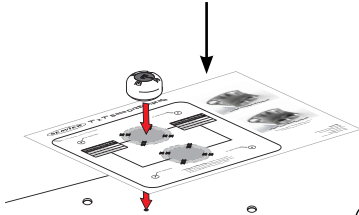
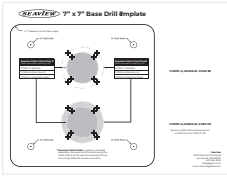


10 Route the radar cable through the $1\frac{1}{2}$ " hole.

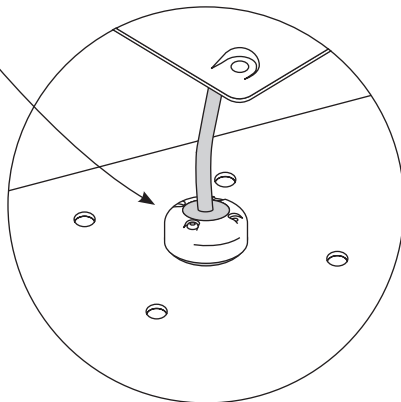
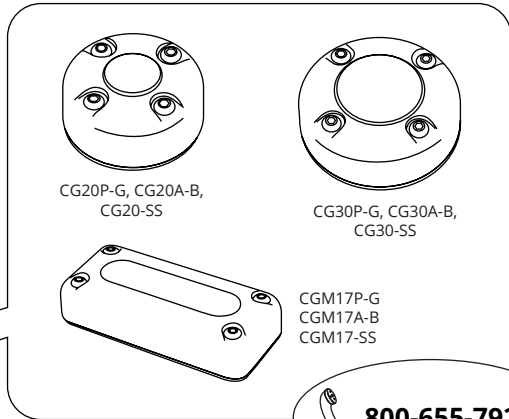


OPTIONAL

For increased water security you can use a Seaview Cable Gland (sold separately) to route your marine electronic cables.

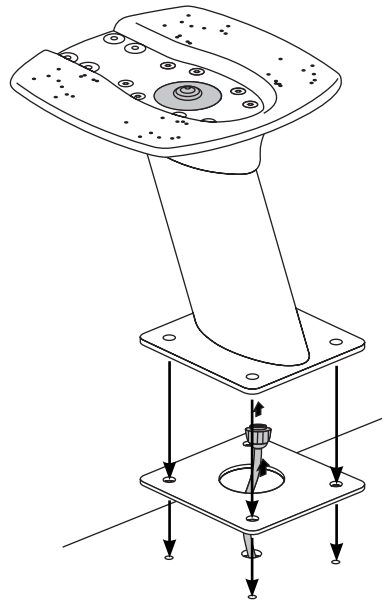


Take the provided base drill template and mark the four mounting holes for the Cable Gland. Refer to the Seaview Cable Gland instructions on how to complete the installation.



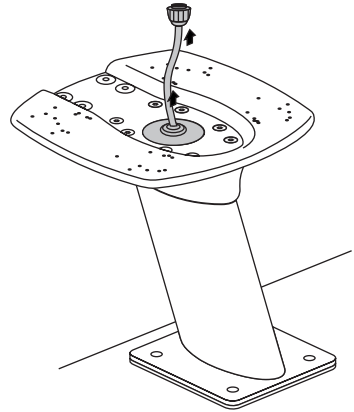
11

Place the foam gasket and Seaview mount over the bolt holes.



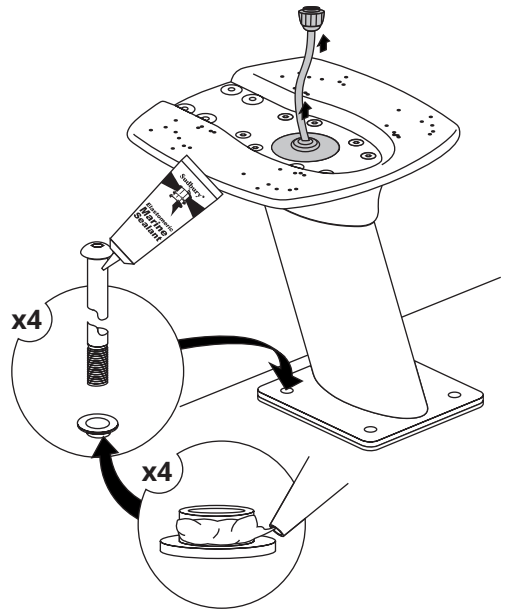
12

Route the radar cable through the mount and through the rubber grommet.



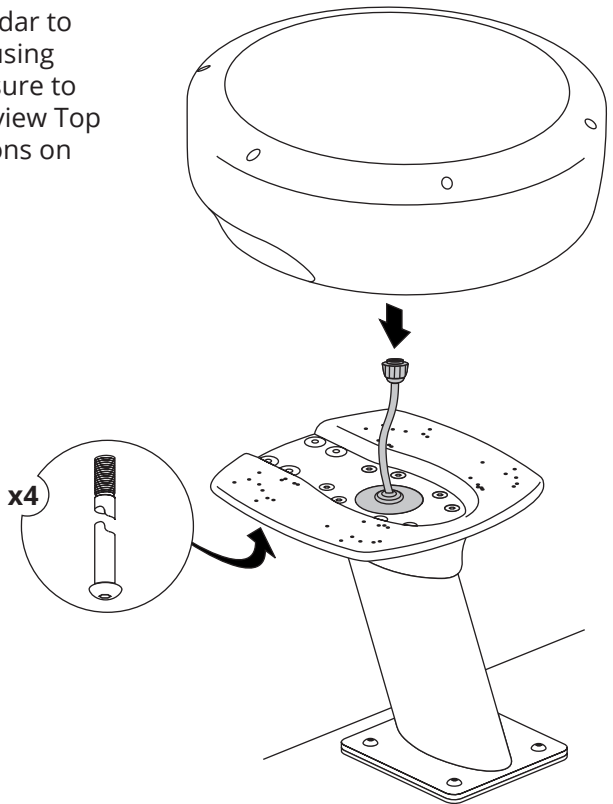
13

Using your own bolts and the four supplied nylon should washers bolt down the Seaview mount to the mounting surface. Apply marine adhesive sealant to the bolt heads and nylon shoulder washers.



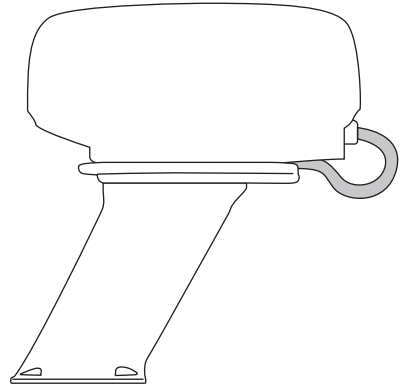
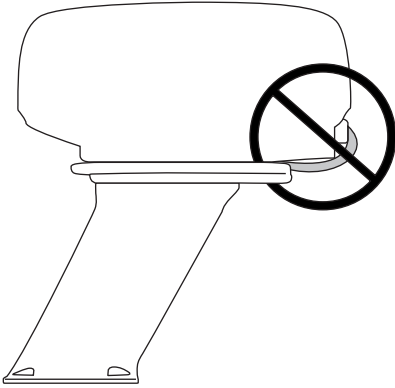
14

Secure your radar to the Top Plate using four bolts, be sure to follow the Seaview Top Plate instructions on how to do this.



15

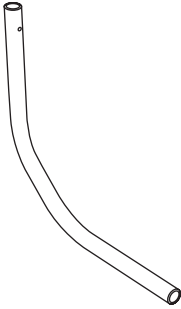
Be sure to leave some slack on the radar cable.



OPTIONAL ACCESSORIES

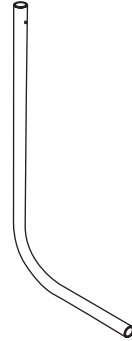
Call 800-655-7922 or visit www.seaviewglobal.com for available accessories.

LIGHT BARS



LTB-R

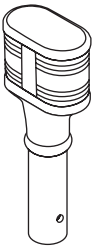
Fits closed dome radars.



LTB-S

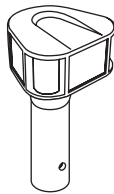
Fits 20" or smaller satdomes.

LIGHT BAR TOPS



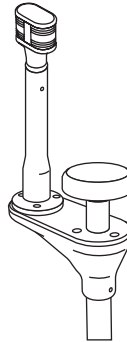
LTBP-1197

Perko Incandescent Light.



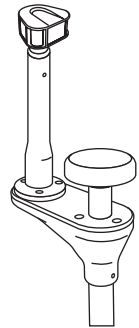
LTBA-7800

Attwood LED Light.



LTBU1A1197

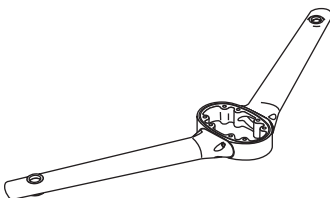
Light Bar Top with Perko Incandescent Light, can fit GPS.



LTBU1A800

Light Bar Top with Attwood LED Light, can fit GPS.

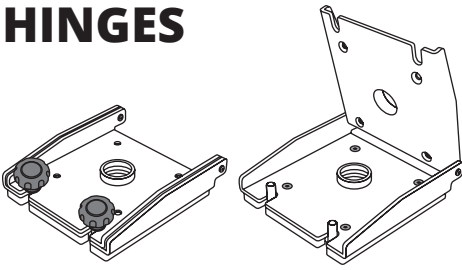
SPREADER KIT



SP1-MOD

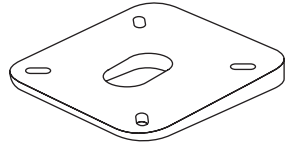
Allows user to mount GPS units or antennas onto a Seaview Modular Mount.

HINGES



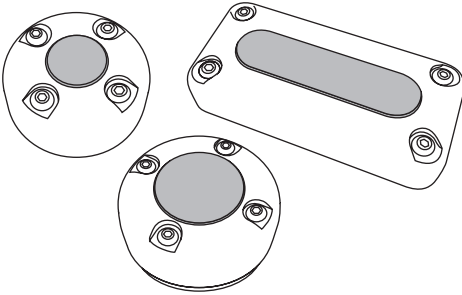
Seaview Hinge Adapters fold in any direction necessary for added height clearance.

WEDGES



Compensates for plane angle.
Available in 2, 4 or 6 degree wedges.

CABLE GLANDS



Seaview Cable Glands provide waterproof cable routing.

The background of the entire page is a light gray topographic map with white contour lines. The lines are irregular and wavy, representing elevation changes across a landscape. The map is centered and covers the entire area.

SEAVIEW///
ELEVATE YOUR ELECTRONICS

SEAVIEW///

Tel: 800-655-7922
www.seaviewglobal.com

EUROPEAN OFFICE

Tel: +33 4 94 53 27 70
www.seaviewprogress.com

1-080118