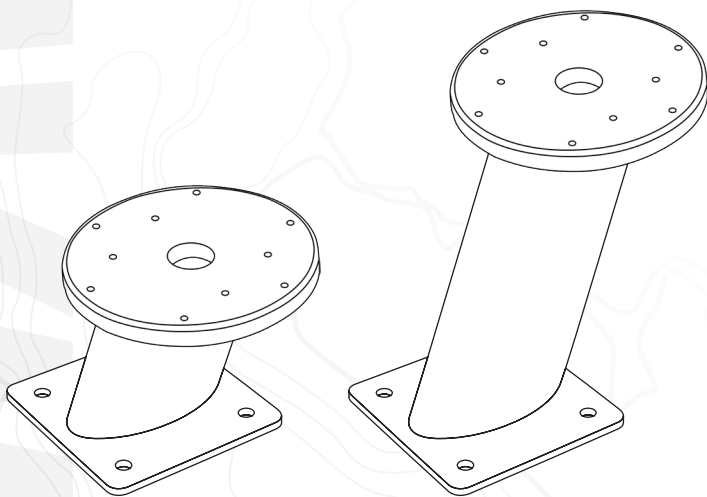


SEAVIEW

ELEVATE YOUR ELECTRONICS



INSTALLATION INSTRUCTIONS

For Seaview Camera Mounts:

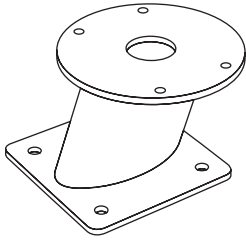
PMA5FM37 & PMA12FM37

Refer to website for most up to
date instructions and videos.

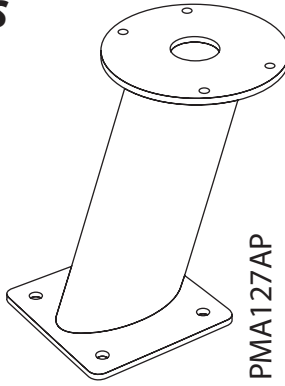
WWW.SEAVIEWGLOBAL.COM

PARTS INCLUDED

PMA5FM37 & PMA12FM37 PARTS



PMA57AP



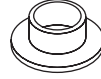
PMA127AP



x4
(516SB)



x6
(14NW)



x4
(38SB)



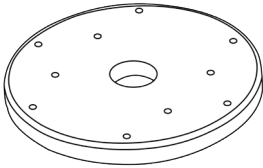
x4
(14SSW)



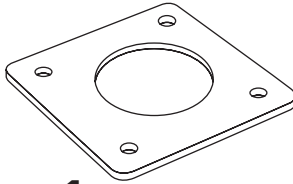
x6
(M6NNUT)



x4
(1420NUT)



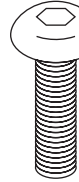
x1
(SVM300ADAPT2)



x1
(PM7G)

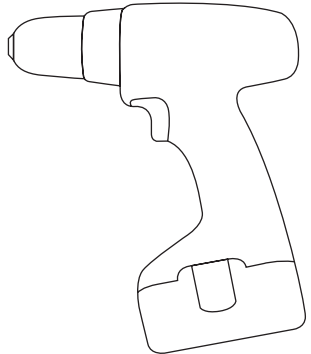
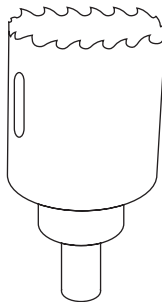
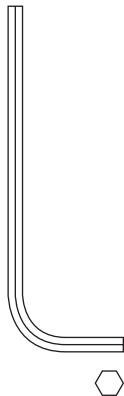
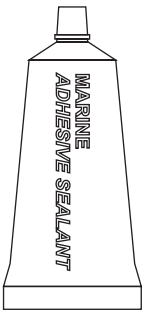


x6
(M6 X 45MM)
(M645BHCS)

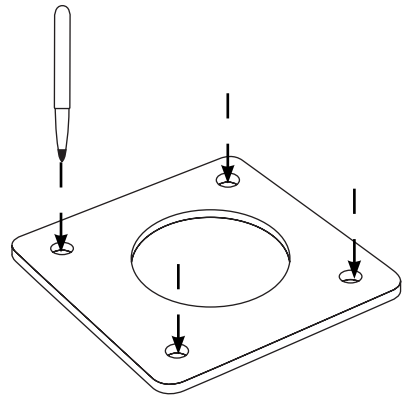


x4
(1/4-20 X 1-1/2")
(1420112BHCS)

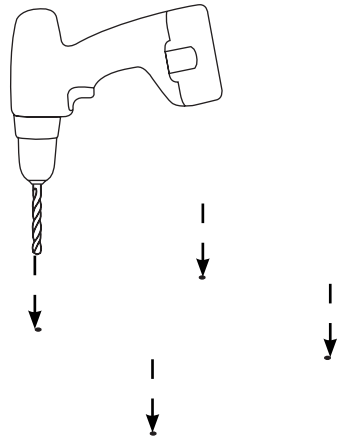
TOOLS NEEDED



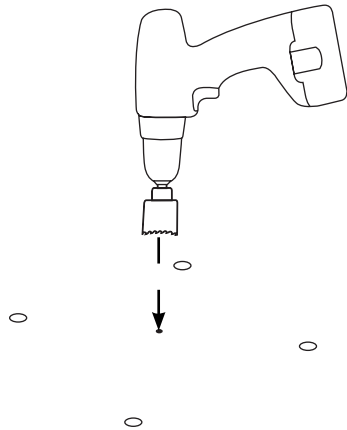
1 Place the foam gasket onto mounting surface and mark the four holes to drill.



2 Using a drill bit drill the four holes for the mounting bolts.

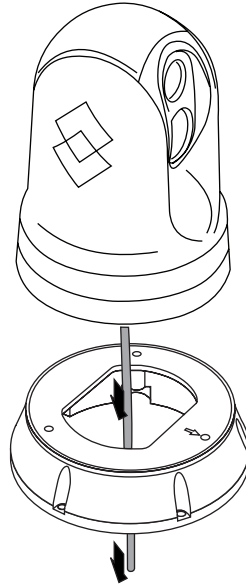


3 Using a hole saw, drill the center hole for the cable.

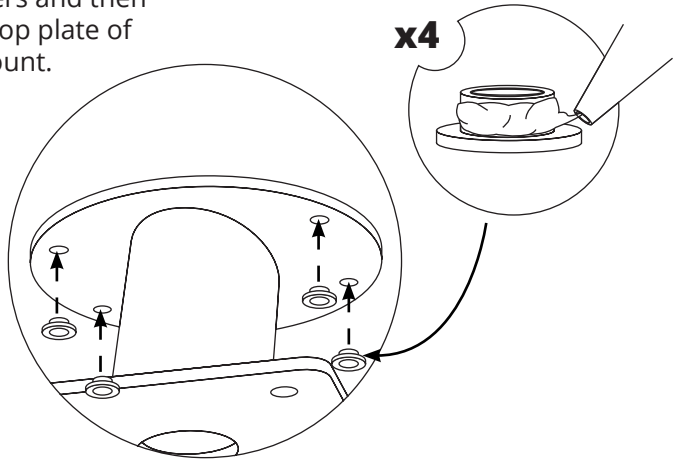


4 Route the electronics cable through the FLIR top down riser and place the camera on top of the riser.

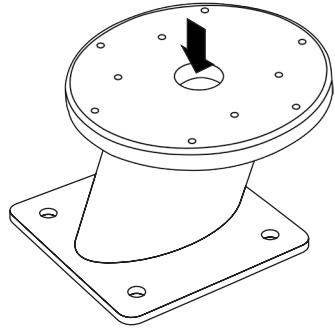
Secure the FLIR M300 to the riser with the supplied hardware. Refer to FLIR instructions on how to bolt them together.



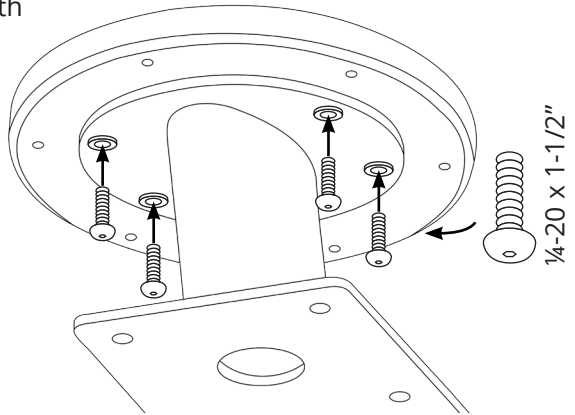
5 Apply marine adhesive sealant to the four nylon shoulder washers and then insert into the top plate of the Seaview mount.



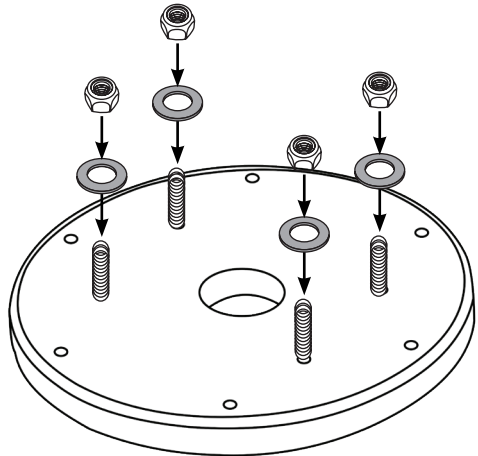
6 Place the provided plate on top of the mount and align the 4 holes.



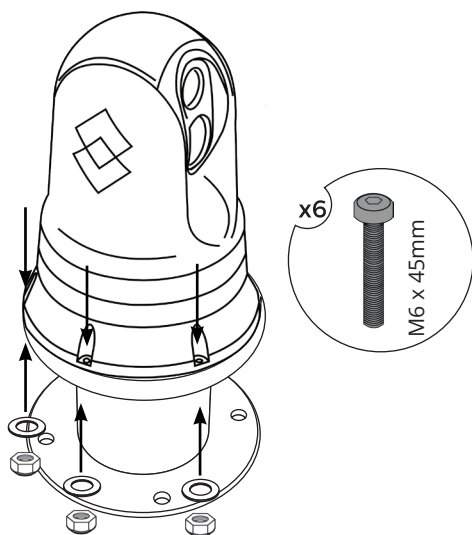
7 Secure the adapter plate to the mount with the four 1/4-20x1-1/2" bolts.



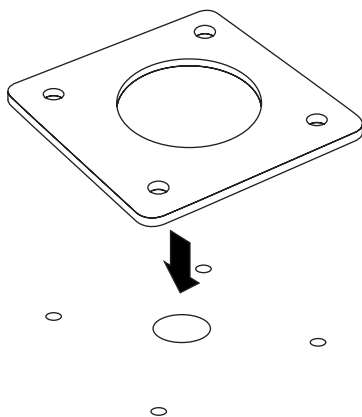
8 Place S.S. washers over each 1/4-20 bolt followed by the nuts to secure.



- 9** Bolt the top down riser to the adapter plate using the six M6 x 45mm bolts. The bolt will pass through the top down riser, through the adapter plate and then secure using a S.S. washer and nut.

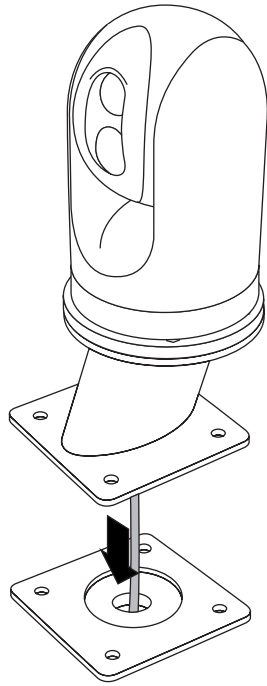


-
- 10** Place the foam gasket over the bolt holes you drilled in Step #2.



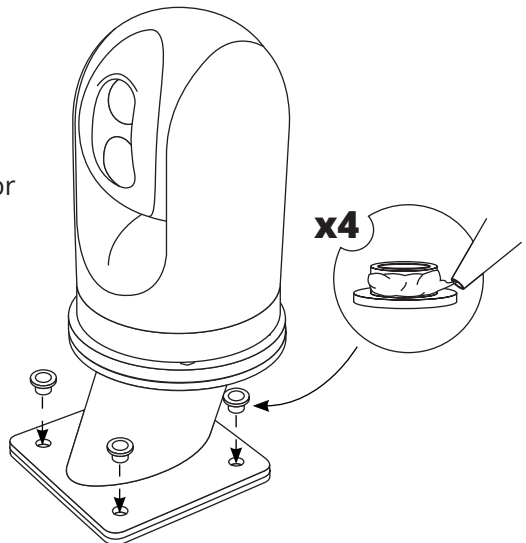
11

Route the cabling through the center hole. Place the mount assembly on top of the foam gasket.



12

Apply marine adhesive sealant onto the four nylon shoulder washers. Then insert the washers into the four bolt holes on the base of the Seaview mount. Use your own preferred 3/8" diameter S.S. bolts. Backing plate or oversized washers is recommended.



The background of the entire page is a light gray topographic map with white contour lines. The lines are irregular and wavy, representing elevation changes across a landscape. The map is centered and covers the entire area.

SEAVIEW//
ELEVATE YOUR ELECTRONICS

SEAVIEW//

Tel: 800-655-7922
www.seaviewglobal.com

EUROPEAN OFFICE

Tel: +33 4 94 53 27 70
www.seaviewprogress.com

4-072920