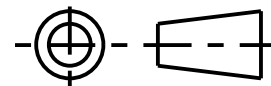
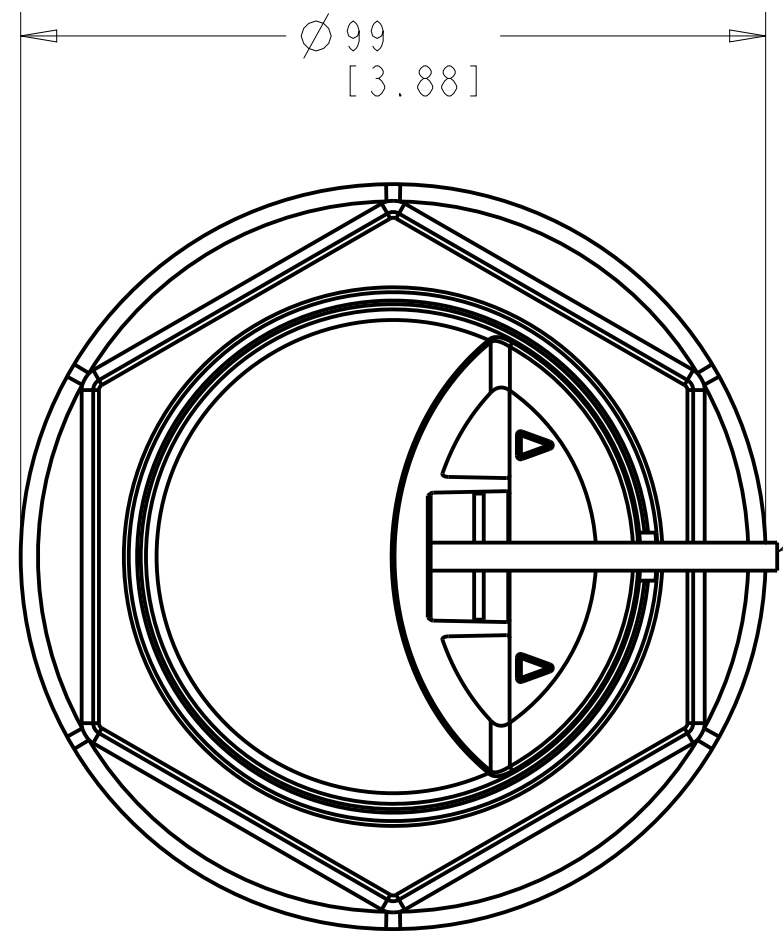


THIRD ANGLE PROJECTION

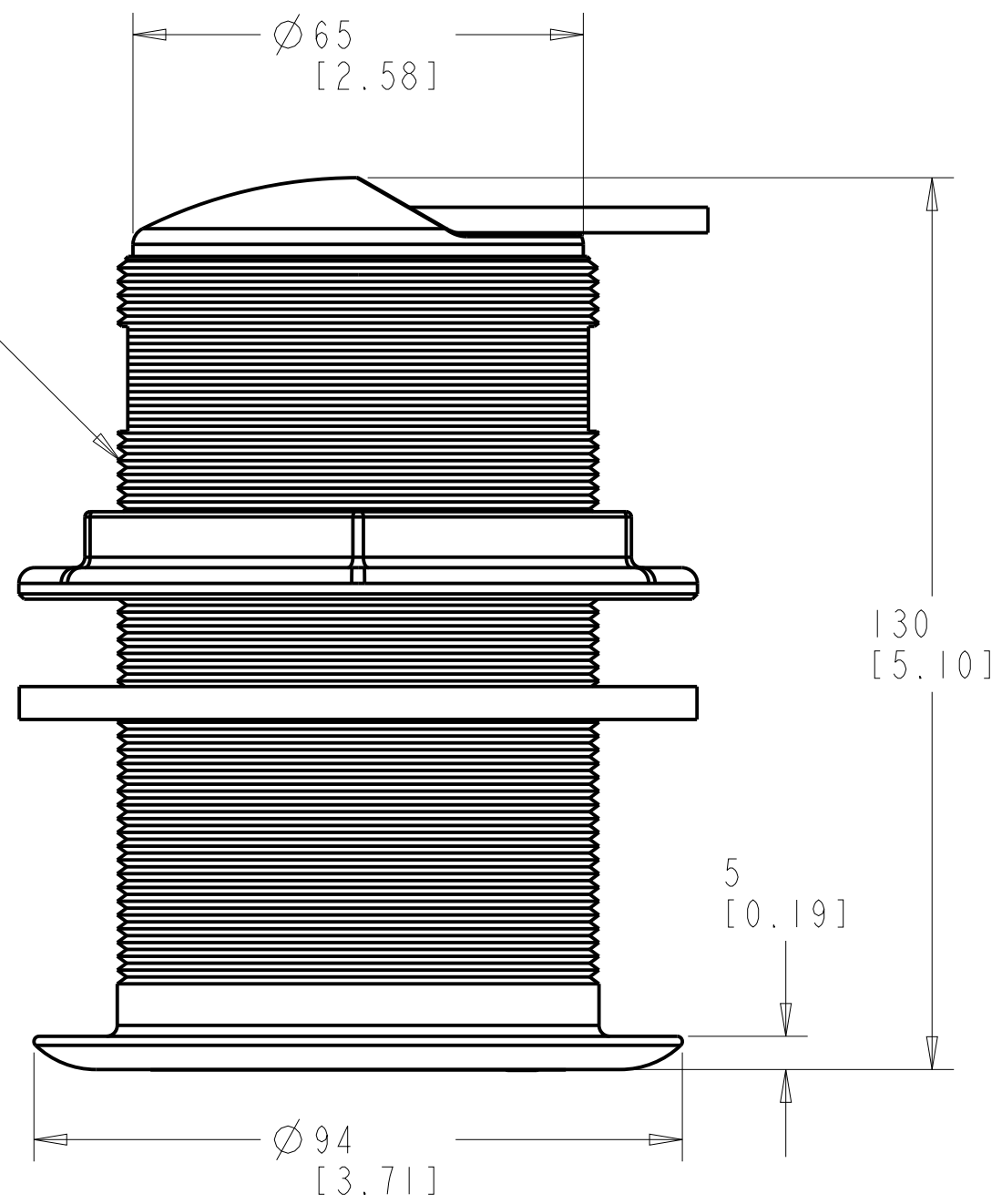
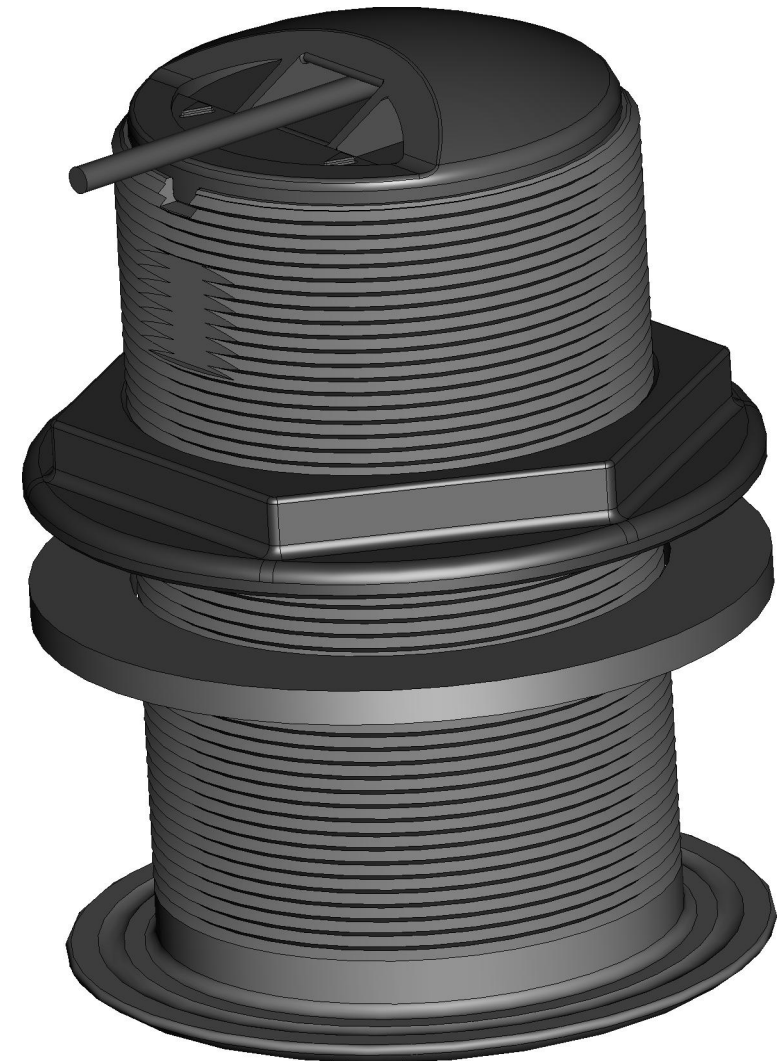


DOCUMENT REVISIONS

REV	DESCRIPTION	CO NO.	DATE	CHG/CHK
1	PRELIMINARY RELEASE	--	--	--



CABLE



M70 X 2MM THREAD

TABLE		
MODEL	HOUSING	ACOUSTIC WINDOW
B75	BRONZE	URETHANE
SS75	STAINLESS STEEL	URETHANE

PART NUMBER	N/A	P/N REV
-------------	-----	---------

UNLESS OTHERWISE SPECIFIED	SIGNATURE	DATE
DIMENSIONS ARE IN MM TOLERANCES ON 0 PL DECIMALS: ±2 1 PL DECIMALS: ±0.5 ANGLES: ±1/2° FRACTIONS: ±1/16	DRAWN: D. SPALDING	05/31/2018
	CHECKED: J. DeCARLO	01/16/2020

**AIRMAR** AIRMAR TECHNOLOGY CORPORATION  
35 MEADOWBROOK DR.  
MILFORD, NH 03055-4613 USA  
TEL: 603-673-9570 FAX: 603-673-4624

TITLE  
B75, SS75 OUTLINE DRAWING

MATERIAL  
SEE TABLE

SIZE C	SCALE: FULL SHEET 1 OF 1	DOC NUMBER D-19055	DOC REV 1
-----------	-----------------------------	-----------------------	--------------

THIS DOCUMENT AND THE DATA DISCLOSED HEREIN OR HERewith IS NOT TO BE REPRODUCED, USED, OR DISCLOSED IN WHOLE OR IN PART TO ANYONE WITHOUT THE PERMISSION OF AIRMAR.

CRITICAL DIMENSION (REF) DO NOT SCALE DRAWING