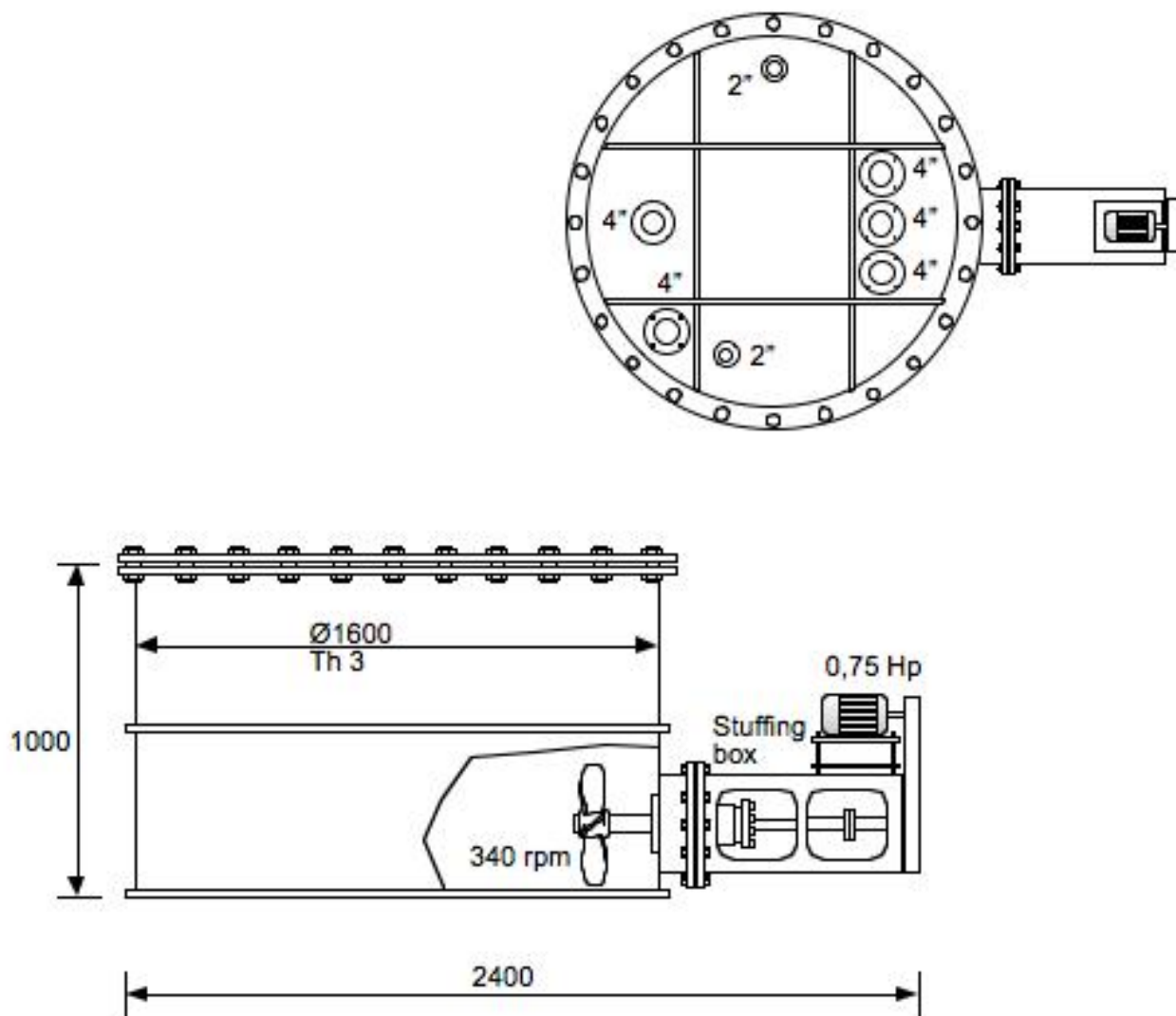


COPRINOX

VESSEL

Code n° **VV 020 1480**

Location ref: 89 A1



CAPACITY LITERS <u>2.000</u>	SHELL SIDE	JACKET/COIL SIDE	
Design Pressure KG/cm2 Design Temperature °C Material	AISI 304		
ANCC or ISPESL certification: <u>NOT</u> Availability in stock n° <u>01</u> units	NOZZLE DIMENSIONS		
MANUFACTURER _____	Pos	Service	Size inch.
<input checked="" type="checkbox"/> USED <input type="checkbox"/> USED RECONDITIONED <input type="checkbox"/> UNUSED	A		
	B		
	C		
	D		
	E		
WEIGHT (approx) Kg <u>400</u>	NOTE EX GLUTAMMATO		