

GTZ SERIES

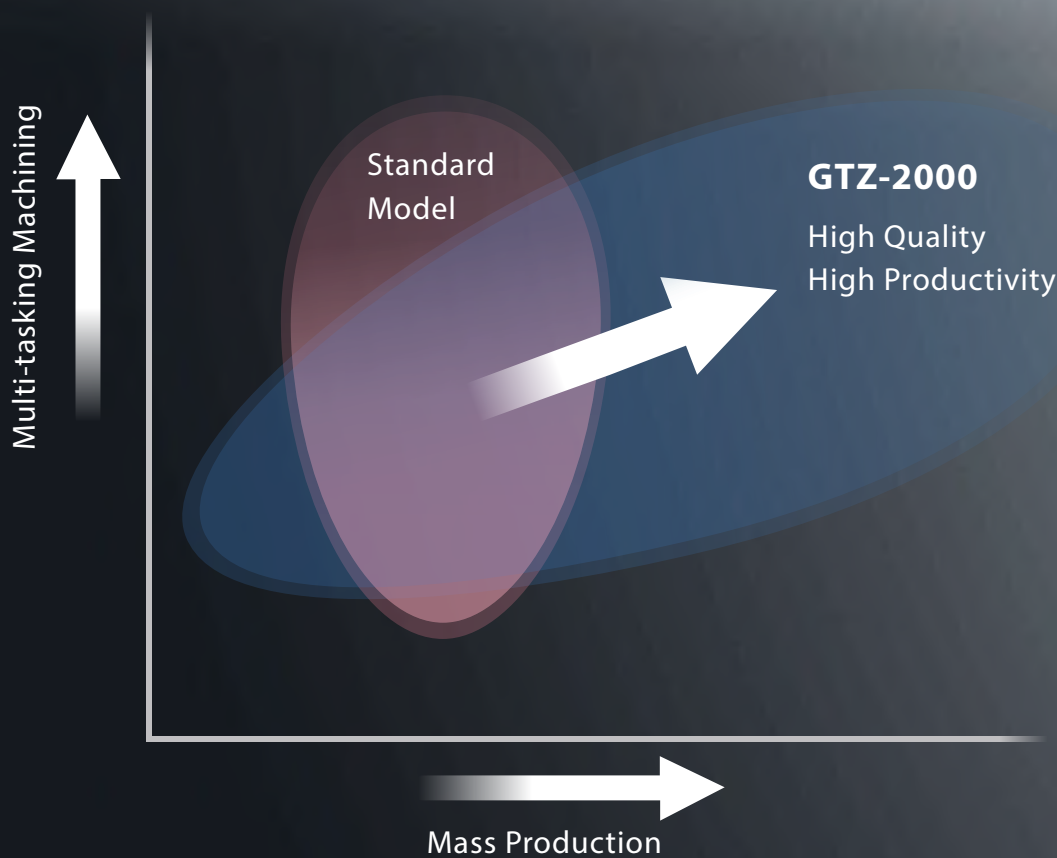
Multi-tasking Turning Centers



THE ULTIMATE MACHINING POWER
WOODWAY

BRAND NEW MULTI-TASKING MACHINING TECHNOLOGY

- New twin spindles and twin turrets combination
- Upper and lower turret can be adjusted based on different machining requirements
- Production capacity is **150 %** larger than average models





G-LINC 350

GOODWY

3D CHECK

PLAN	REL	ABS
X		
Y		
Z		

MACH DIST

	X	Y	Z
D1			
D2			
D3			
D4			
D5			
D6			
D7			
D8			
D9			
D10			

ABS

PLAN	REL	ABS
X		
Y		
Z		

MACH DIST

	X	Y	Z
D1			
D2			
D3			
D4			
D5			
D6			
D7			
D8			
D9			
D10			

D1
D2
D3
D4
D5
D6
D7
D8
D9
D10

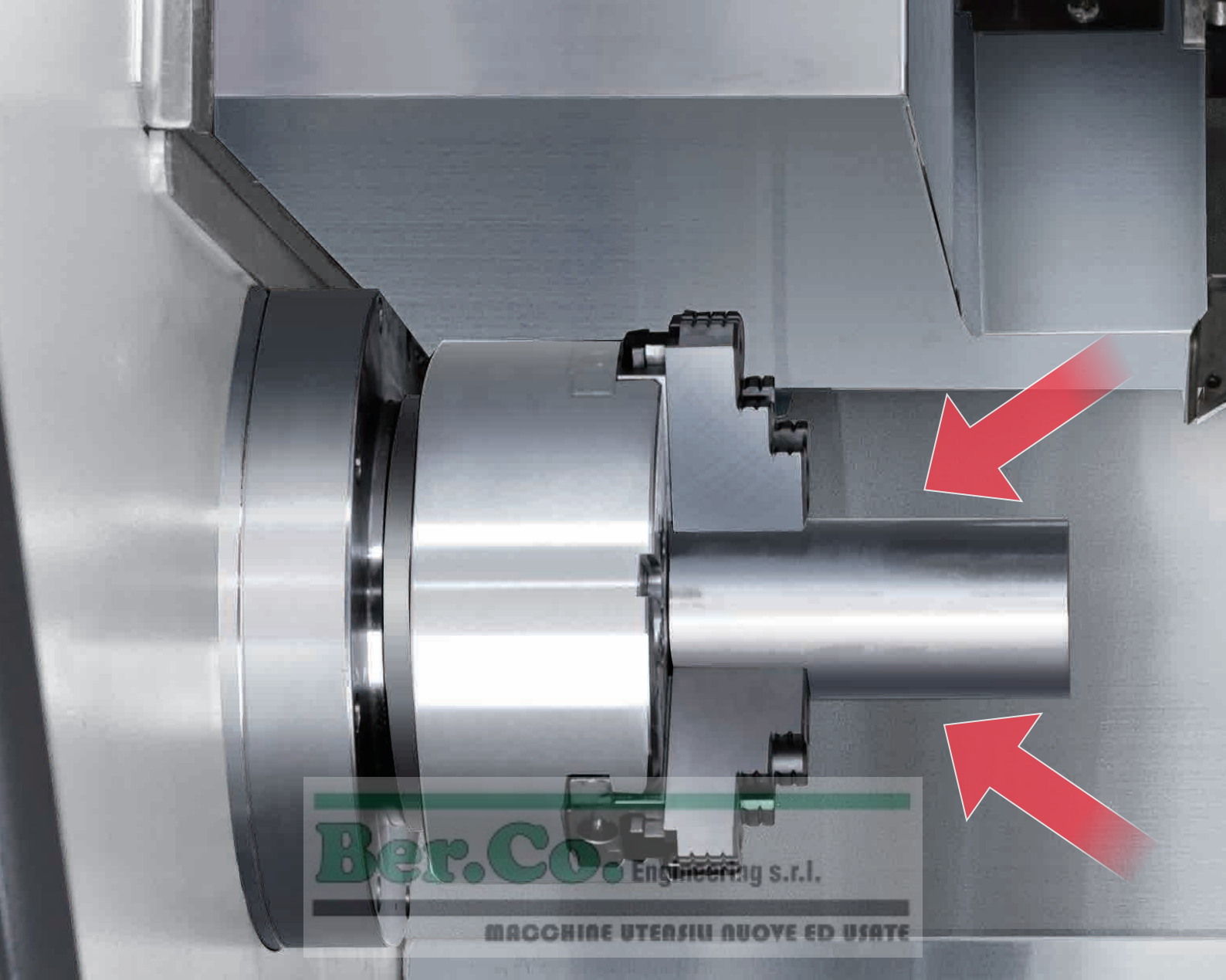
STATUS

START/PAUSE F8
STOP F9
MACHINE READY F10
EDIT KEY F11
AUTO F12

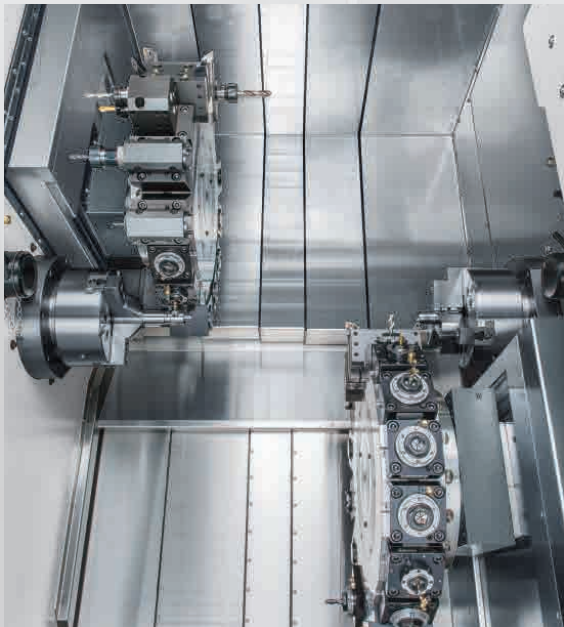
Keyboard with function keys and numeric keypad.

Emergency stop (red button), Spindle speed control (knob), Feedrate override (knob), Tool selection (knob), Machine ready indicator, and various control buttons.

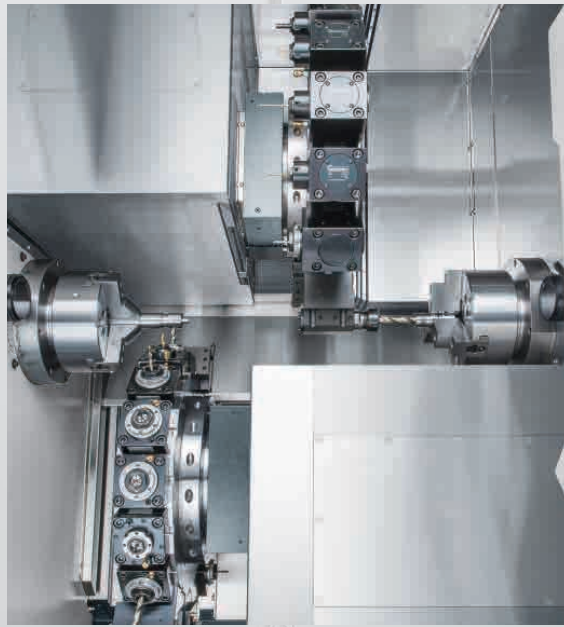
BerCo
MAGAZINER
NUOVE ED US



► Upper turret working on left spindle
Lower turret working on right spindle



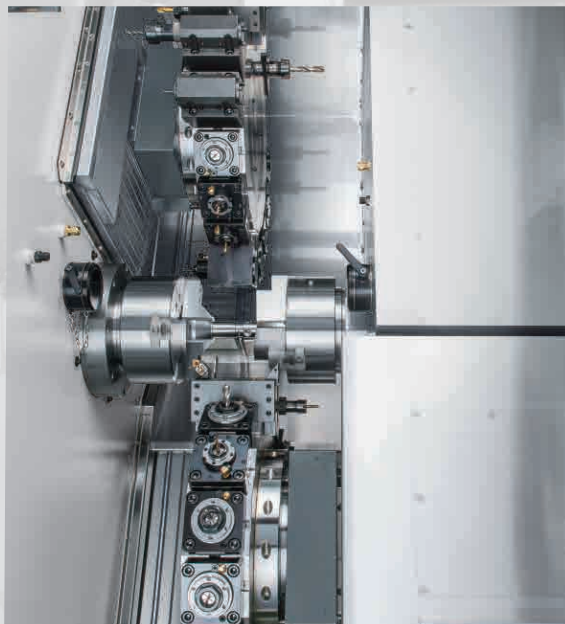
► Upper turret working on right spindle
Lower turret working on left spindle



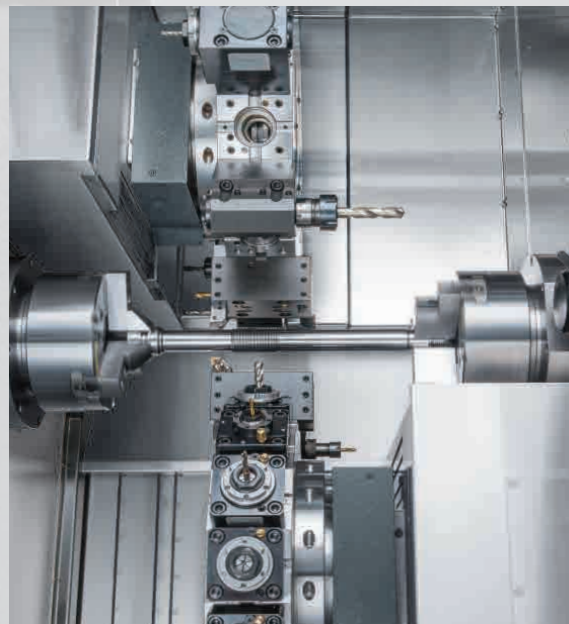
FLEXIBLE MACHINING COMBINATIONS

Ber.Co. Engineering s.r.l.
MACCHINE UTENSILI NUOVE ED USATE

▶ Work-piece can be moved between both spindles



▶ Both turrets can work on the work-piece simultaneously



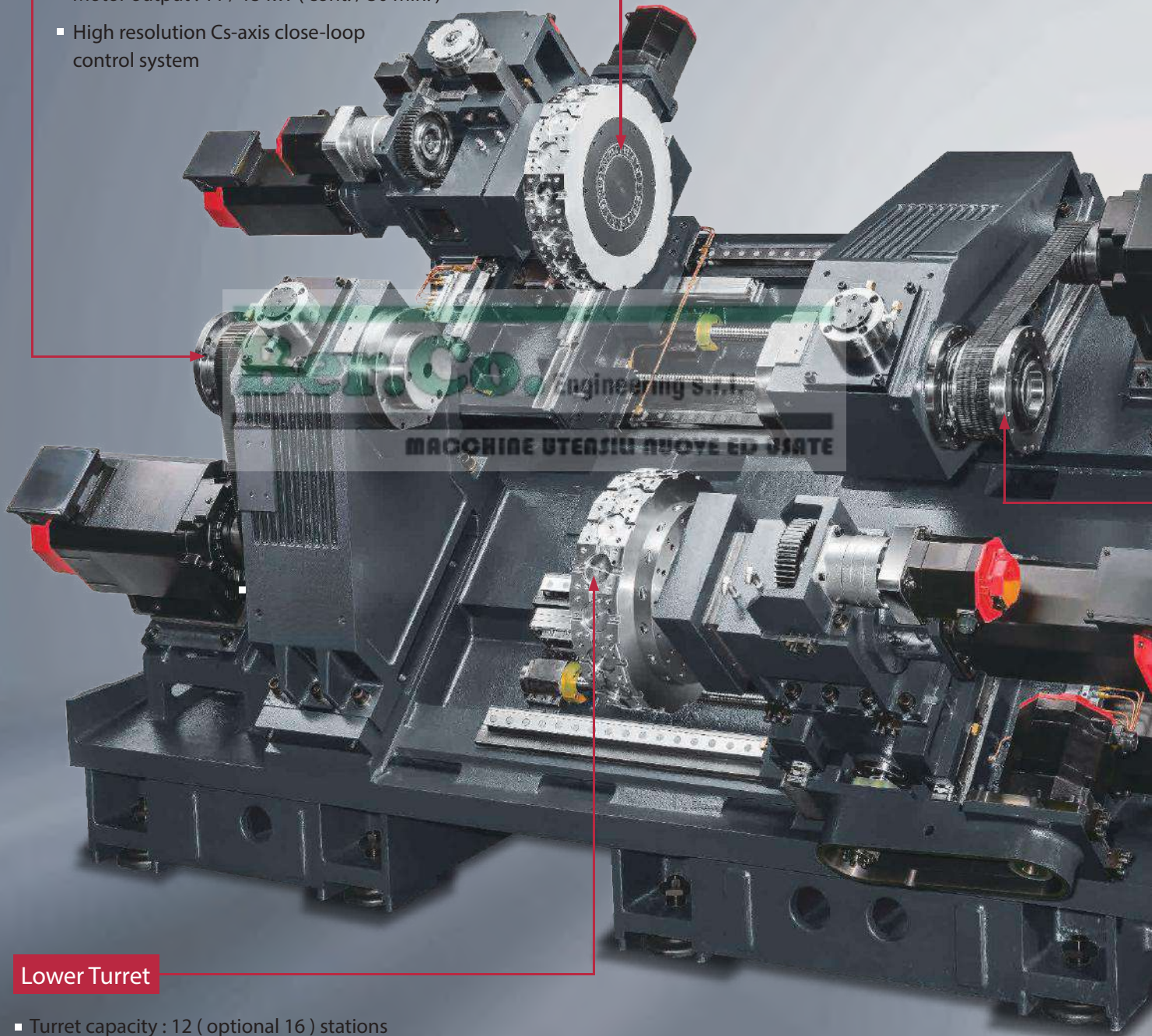
SUPER RIGIDITY STRUCTURE

The low center of gravity 45° slant bed design provide a super rigid foundation for the headstock and turret.

By using Finite Element Analysis (FEA), optimal reinforced ribbings are directly cast into one-piece bed structure.

1st Spindle

- Chuck size : 6" (Big-bore) / 8" (Big-bore)
- Bar capacity : Ø 51 / Ø 65 mm
- Motor output : 11 / 15 kW (cont. / 30 min.)
- High resolution Cs-axis close-loop control system



Lower Turret

- Turret capacity : 12 (optional 16) stations
- Tool shank size : □ 25 / Ø 40 (optional □ 20 / Ø 32) mm
- Live tooling shank size : ER32 (optional ER25)
- Live tooling output : 3.7 / 5.5 kW (cont. / 30 min.)
- Flexible turret combination can support twin spindles machining

Upper Turret

- Turret capacity : 12 (optional 16) stations
- Tool shank size : □ 25 / Ø 40 (optional □ 20 / Ø 32) mm
- Live tooling shank size : ER32 (optional ER25)
- Live tooling output : 3.7 / 5.5 kW (cont. / 30 min.)
- Flexible turret combination can support twin spindle machining

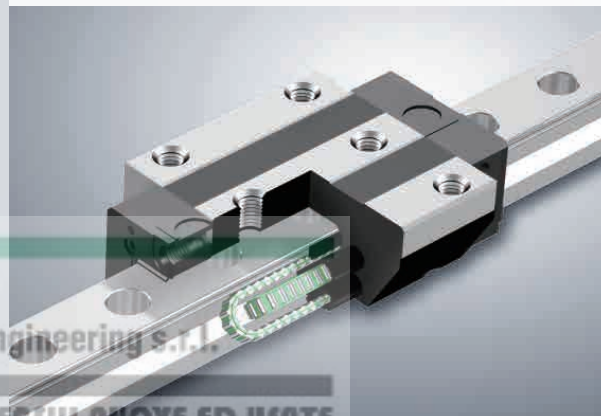


With the optional 16-station turret, maximum tool station capacity is up to 32 tools, which can easily fulfill various machining requirements.



2nd Spindle

- Chuck size : 6" (Big-bore) / 8" (Big-bore)
- Bar capacity : Ø 51 / Ø 65 mm
- Motor output : 11 / 15 kW (cont. / 30 min.)
- High resolution Cs-axis close-loop control system



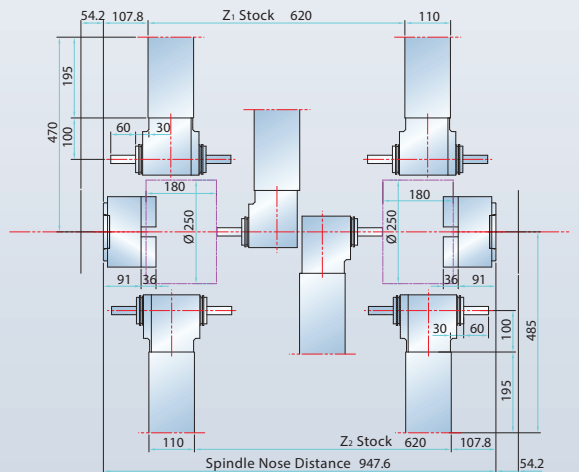
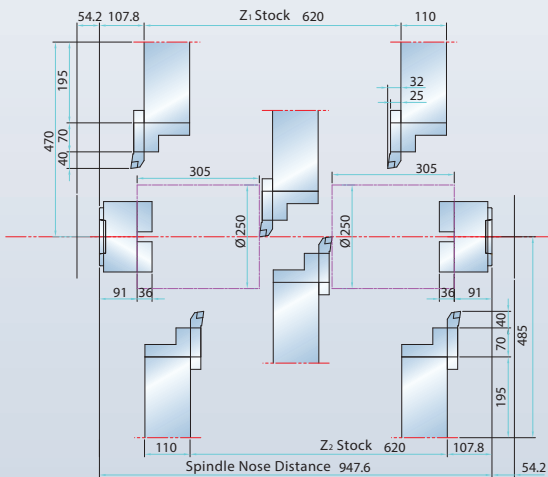
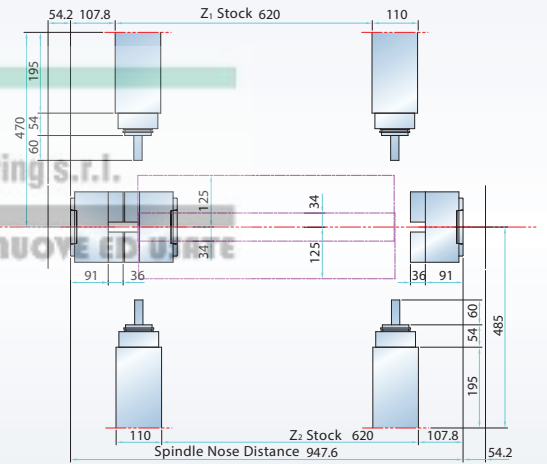
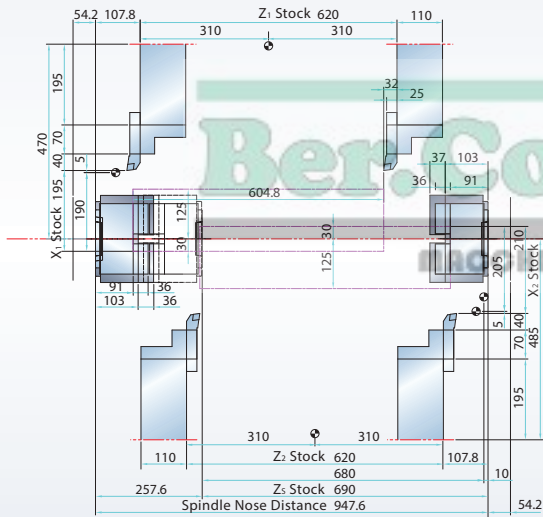
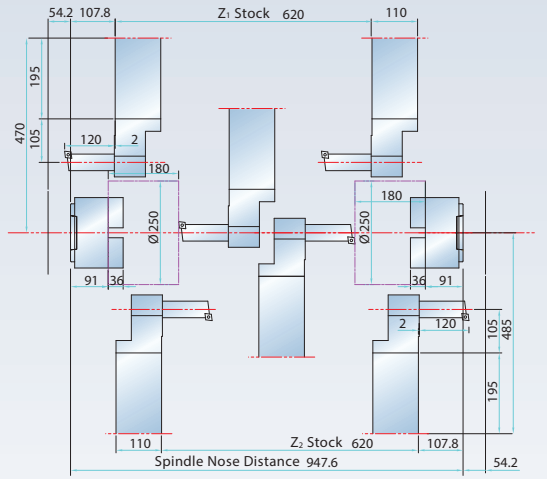
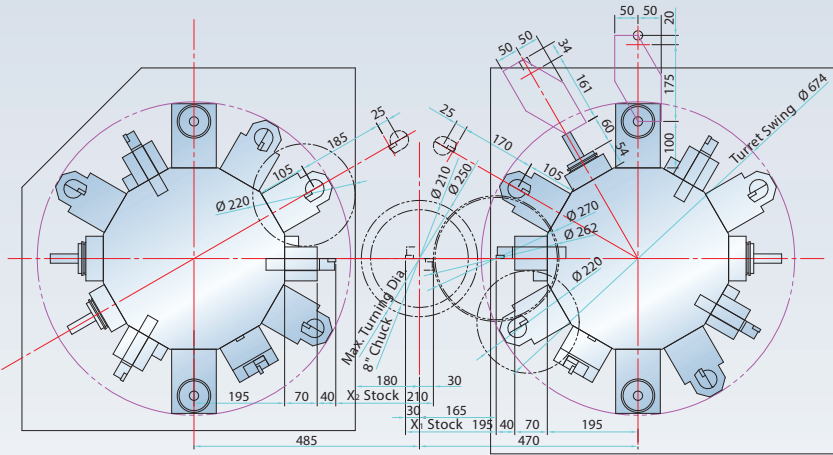
Roller type linear guide way provides rigidity for heavy cutting and speed for fast turning advantages.



The optional high resolution close-loop linear scale ensure optimal positioning and repeatability accuracy.

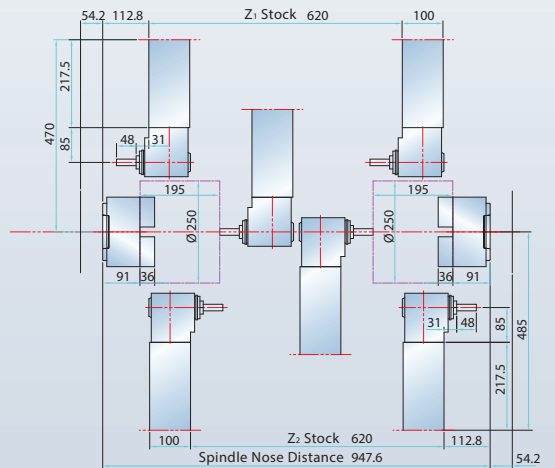
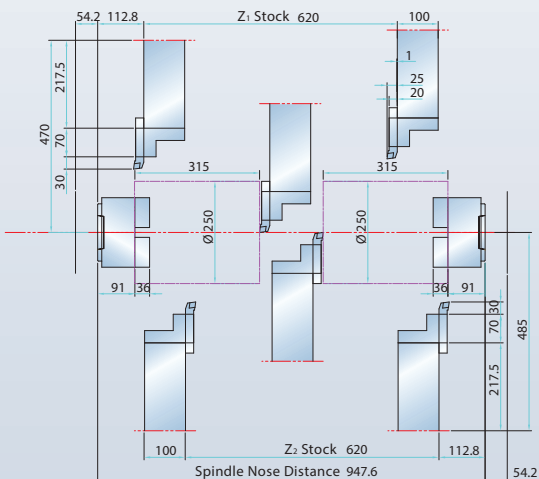
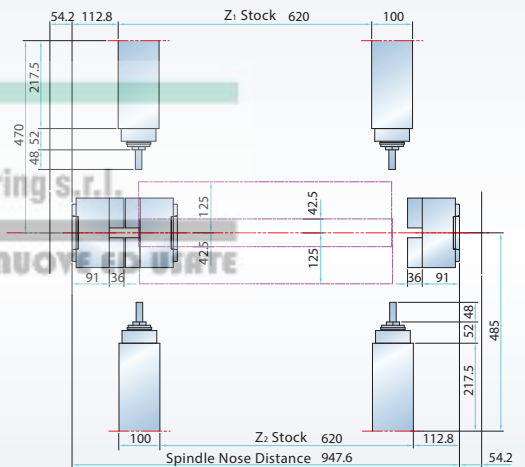
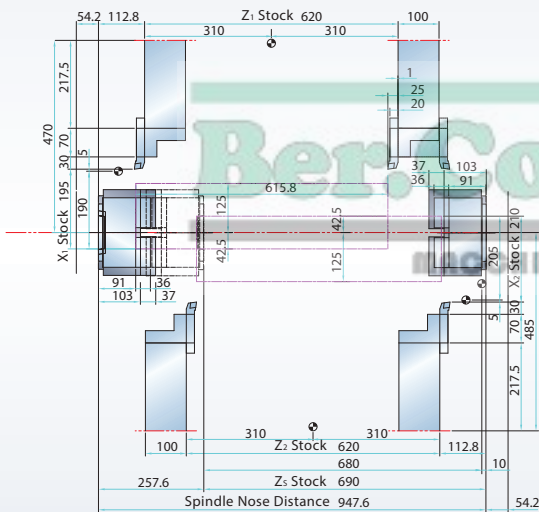
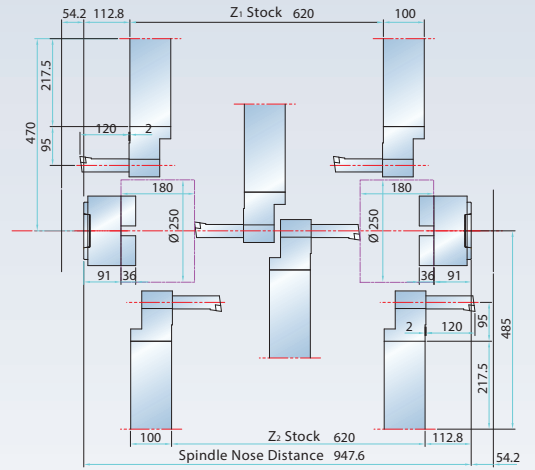
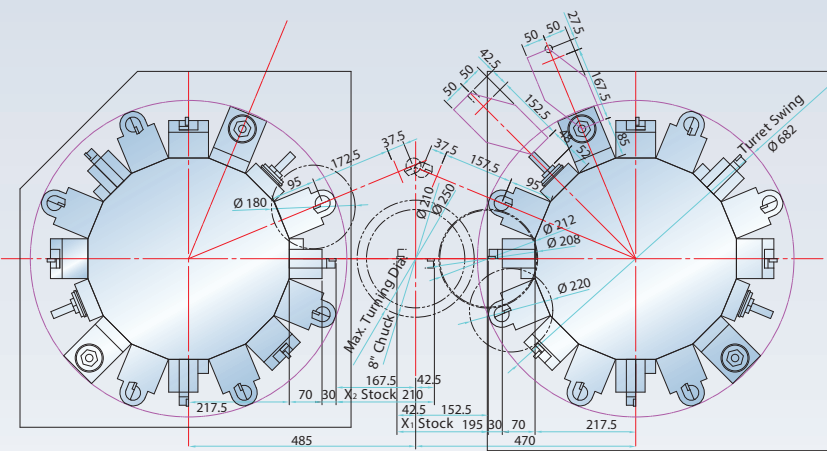
DIMENSIONS

12-Station Turret (For GTZ-2000)



(Unit : mm)

Optional 16-Station Turret (For GTZ-2000)



(Unit : mm)

MACHINE SPECIFICATIONS

■ : Metric ■ : Inch

CAPACITY	GTZ-2000	GTZ-2600
Max. swing diameter	Ø 270 mm 10.62"	
Max. turning diameter	Ø 250 mm 9.84"	
Max. turning length	604.8 / 615.8*1 mm 23.8" / 24.2"	592.8 / 603.8*1 mm 23.3" / 23.7"
Chuck size	6"	8"
Bar capacity	Ø 51 mm 2"	Ø 65 mm 2.55"
SPINDLE		
Hole through draw tube	Ø 52 mm 2.04"	Ø 65.5 mm 2.57"
Hole through spindle	Ø 66 mm 2.59"	Ø 76 mm 2.99"
Spindle bearing diameter	Ø 100 mm 3.93"	Ø 120 mm 4.72"
Hydraulic cylinder	8"	10"
Spindle nose	A2-5	A2-6
Spindle motor type	FANUC α P22 / 6000i (AC / Wide- Range)	
Motor output (Cont.)	11 kW 15 HP	
Motor output (30 min.)	15 kW 20 HP	
Motor full output speed	750 rpm	
Spindle drive system	Direct Belt Drive	
Spindle drive ratio	4 : 5	2 : 3
Spindle speed range	48 ~ 4,800 rpm	40 ~ 4,000 rpm
Spindle full output speed	600 rpm	500 rpm
Spindle torque (Cont.)	175 Nm 129 lb-ft	210 Nm 154 lb-ft
Spindle torque (30 min.)	239 Nm 176 lb-ft	287 Nm 211 lb-ft
C-AXIS (OPTIONAL)		
Drive type	Cs	
C-axis rapids	400 rpm	
Accuracy	± 0.002°	
X / Z AXES		
Max. X ₁ / X ₂ axes travel	195 / 210 mm 7.67" / 8.26"	
Max. Z ₁ / Z ₂ axes travel	620 / 620 mm 24.4" / 24.4"	
Max. Zs-axis travel	690 mm 27.1"	
X / Z axes rapids	24 m/min. 945 IPM	
Slide way type	Linear Guide Way	
Feed rates	1~ 4,800 mm/min. 1 ~ 189 IPM	
X / Z axes servo moter	AC 3.0 kW 4 HP	
X / Z axes thrust	960 kgf 2,100 lbf	
TURRET		
Station	12 + 12 [16 + 16 (Opt.)]	
Indexing drive	FANUC AC Servo motor	
Indexing speed	0.2 sec. Adjacnt / 0.5 sec. 180° degree (Single step)	
Accuracy	Positioning : ± 0.00069° Repeatability : ± 0.00027°	
O.D. tool shank size	□ 25 mm 1" (Opt. □ 20 mm 3/4")	
I.D. tool shank size	Ø 40 mm 1-1/2" (Opt. Ø 32 mm 1-1/4")	

Specifications are subject to change without notice.

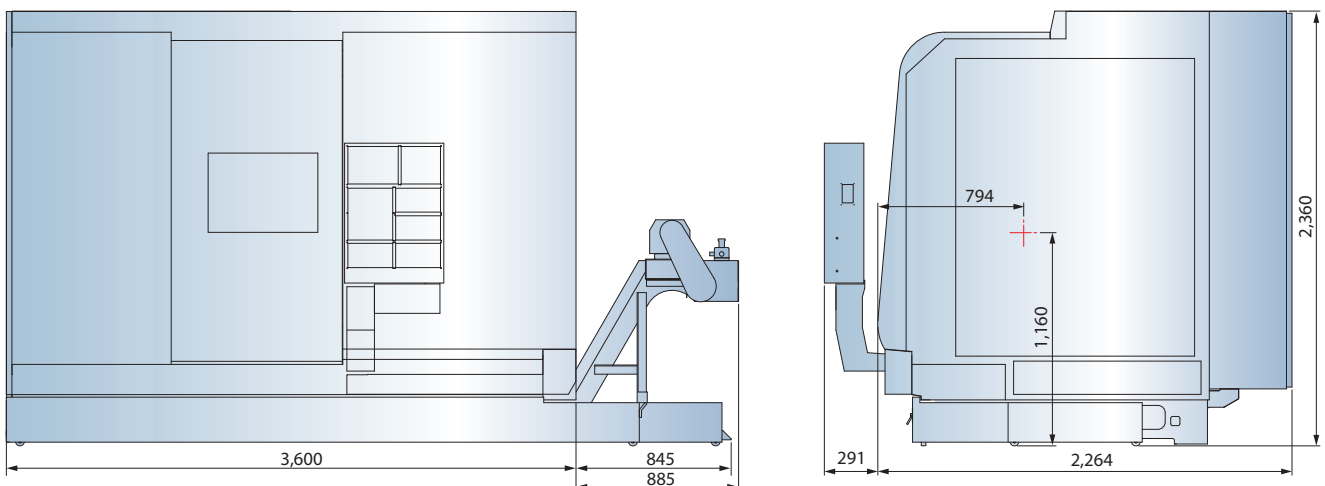
*1 For 16-station turret

■ : Metric ■ : Inch

LIVE TOOLING TURRET (OPTIONAL)	GTZ-2000	GTZ-2600
Stations / Live tooling stations	12 + 12 [16 + 16 (Opt.)]	
Indexing drive	FANUC AC Servo motor	
Index speed	0.2 sec. Adjact / 0.5 sec. 180° degree (Single step)	
Accuracy	Positioning : ± 0.00069° Repeatability : ± 0.00027°	
Live tooling drive motor	AC 3.7 / 5.5 kW 5 / 7.3 HP	
Live tooling shank size	ER32 (Ø 20 mm 3/4") [ER25 (Ø 16 mm 5/8") Opt.]	
Live tooling RPM range	6,000 rpm	
Y -AXIS (OPTIONAL)		
Max. Y-axis travel	100 = ± 50 mm 3.93" = ± 1.96"	
Y-axis rapids	10 m/min. 394 IPM	
Slide way type	Linear Guide Way	
Feed rates	1 ~ 4,800 mm/min. 1 ~ 189 IPM	
Y-axis servo motor	AC 1.6 kW 2 HP	
Y-axis thrust	640 kgf 1,410 lbf	
UNLOADING SYSTEM (OPTIONAL)		
Max. work-piece diameter	Ø 60 mm Ø 2.36"	
Max. work-piece length	150 mm 5.9"	
Max. work-piece weight	3 kg 6.6 lb	
GENERAL		
Positioning accuracy	± 0.005 mm ± 0.00019"	
Repeatability	± 0.003 mm ± 0.00011"	
NC controller	FANUC Oi - TF / FANUC 31i (Opt.)	
Voltage / Power requirement	AC 200 / 220 + 10 % to -15 % 3 Phase / 60 kVA	
Hydraulic tank capacity	35 L 9.2 gal	
Coolant tank capacity	380 L 100 gal	
Coolant pump	0.7 kW 1 HP / 5 Bar	
Machine weight	9,000 kg 19,900 lb	
Dimensions (L x W x H)	4,445 x 2,555 x 2,360 mm 176" x 101" x 93"	

Specifications are subject to change without notice.

Machine Layout



Unit : mm



Ber.Co. Engineering s.r.l.

MACCHINE UTENSILI NUOVE ED USATE



GOODWAYCNC.com

GOODWAY MACHINE CORP.

HEADQUARTERS

No.13, 5th Road,
Taichung Industrial Park,
Taichung City, 407, Taiwan.
E-mail : goodway@goodwaycnc.com

CENTRAL TAIWAN SCIENCE PARK BRANCH

No. 38, Keyuan Road,
Central Taiwan Science Park.Taichung,
Taichung City, 407, Taiwan.
TEL : + 886-4-2463-6000
FAX : + 886-4-2463-9600

GOODWAY MACHINE (WUJIANG) CO.,LTD

No. 4888, East Lake Taihu Avenue, Wujiang
Economic and Technological Development Zone,
Jiangsu, China
Sales Hotline : + 86-512-8286-8068
Service Hotline : + 86-512-8286-8066
FAX : + 86-512-8286-8620
E-mail : goodway@goodwaycnc.cn