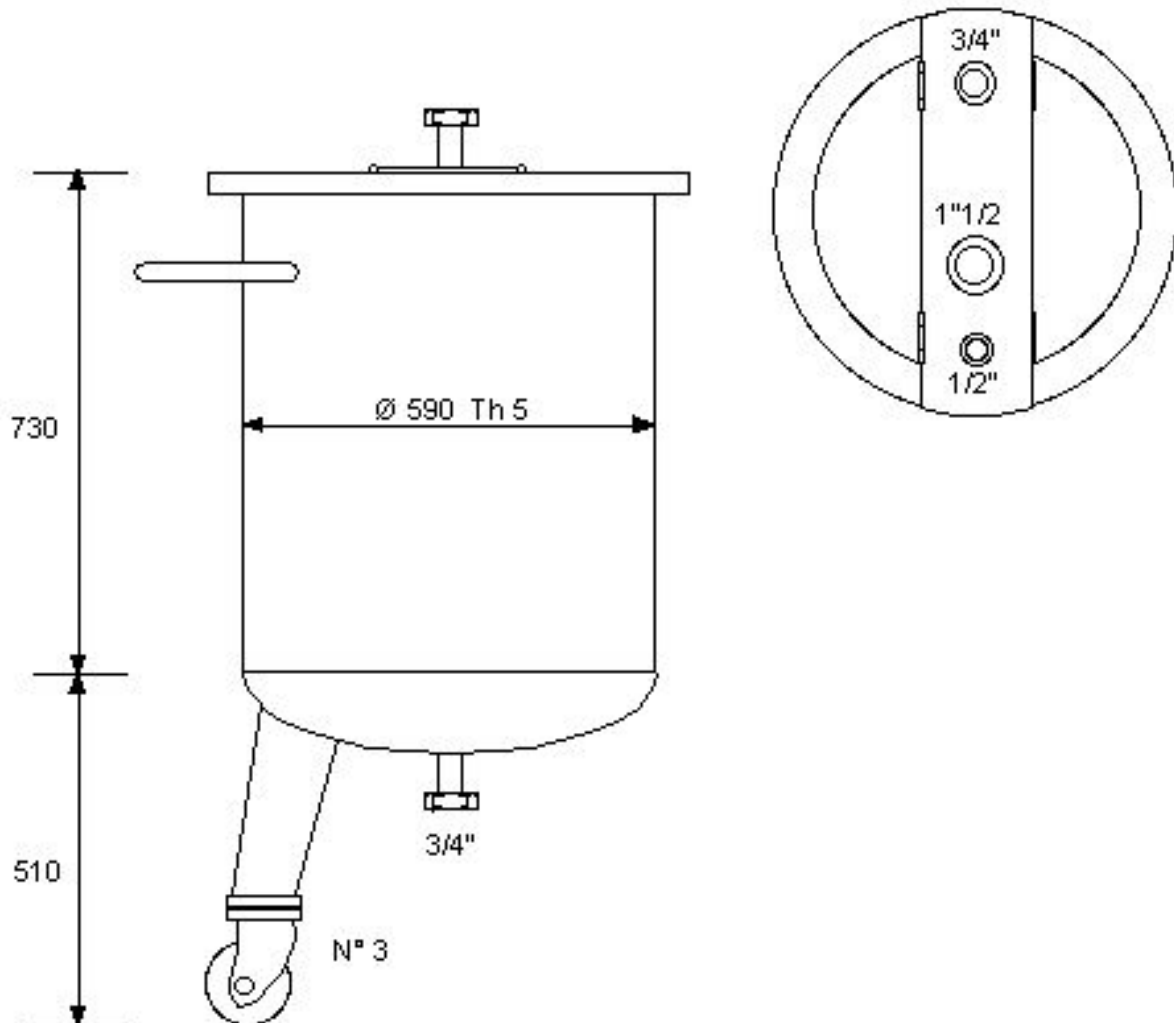


COPRINOX

VESSEL

Code n° VV 002 1304

Location ref: 99 T2

CAPACITY LITERS 220

SHELL SIDE

JACKET/COIL SIDE

Design Pressure KG/cm²
Design Temperature °C
Material

Atm

100

AISI 316

ANCC or ISPESL certification: NOT
Availability in stock n° 01 units

NOZZLE DIMENSIONS

Pos	Service	Size inch.
A		
B		
C		
D		
E		

MANUFACTURER _____

- USED
 USED RECONDITIONED
 UNUSED

NOTE ALL PARTS POLISH MIRROR Without cover

WEIGHT (approx) Kg _____