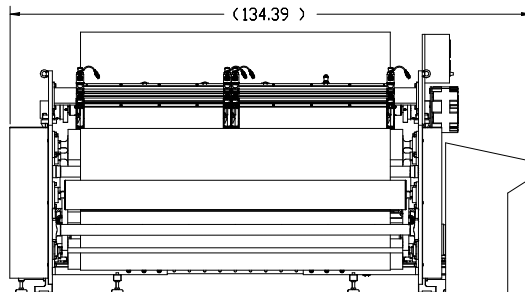
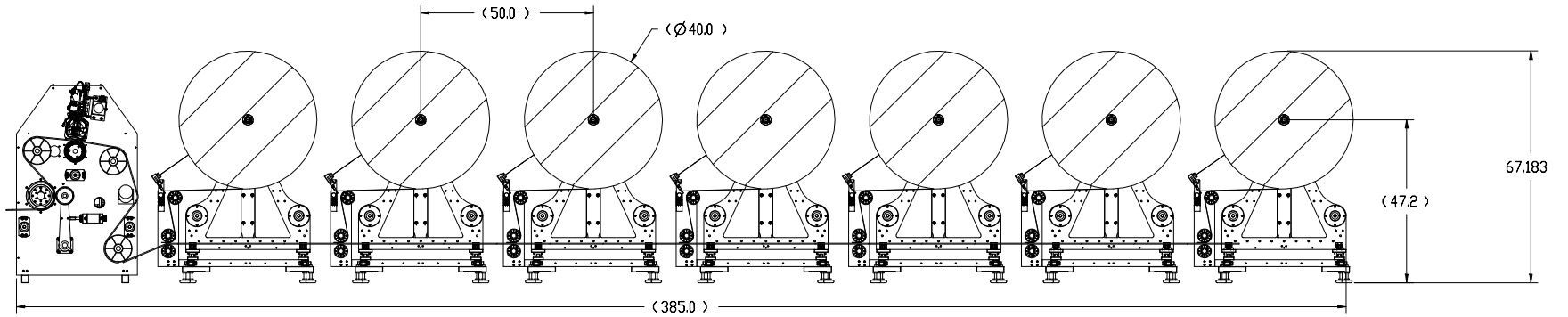
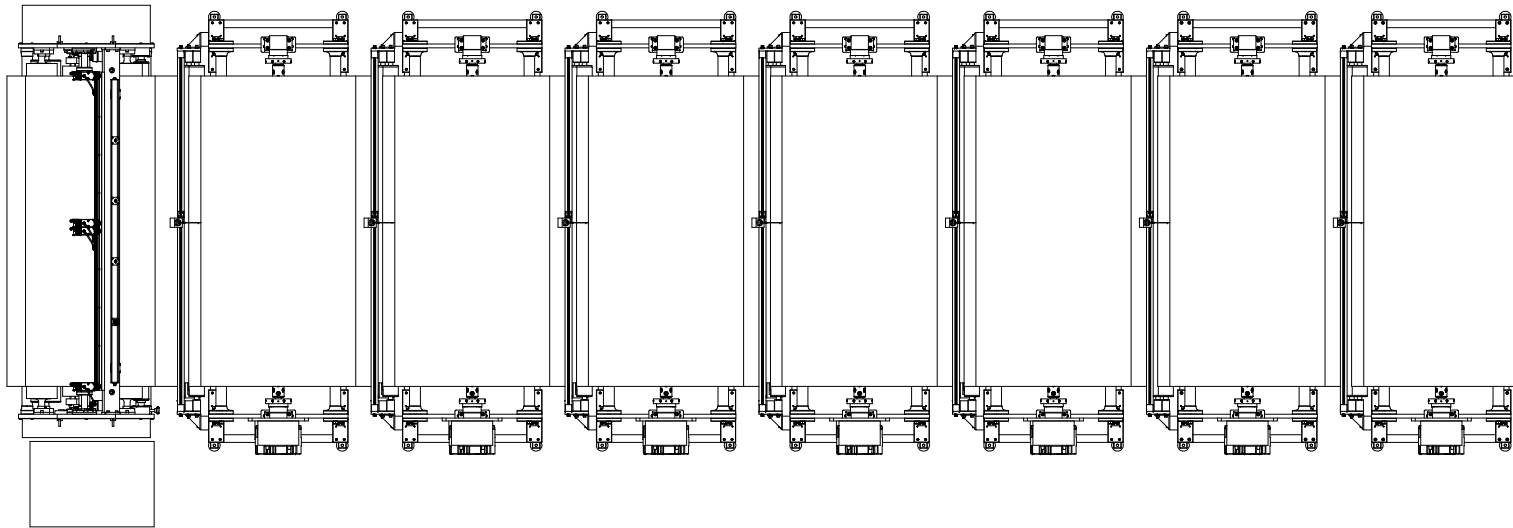


REVISIONS			
REV	DESCRIPTION	DATE	APPROVED
A	ERN 23627	1/23/13	GBS



SCALE 1/16

**NOTES:**

- THIS DRAWING IS THE PROPERTY OF THE DOUBLE E COMPANY IT IS PROPRIETARY AND CONFIDENTIAL, ALL RIGHTS RESERVED.
- CUSTOMER SPECIFICATIONS:

MAX ROLL DIAMETER: 48"  
 MAX ROLL WIDTH: 80"  
 MAX ROLL WEIGHT: 1000 lbs  
 MAX ROLL SPEED: 20 FPM  
 MAX TENSION: 1.5 PLI

ITEM	QTY.	PART No.	DESCRIPTION
3	2	B2441	ROLL STAND ASSEMBLY (NO EDGE GUIDING)
2	5	B2433	ROLL STAND ASSEMBLY W/ EDGE GUIDING
1	1	B2429	SLITTER/NIP ASSEMBLY

QUOTE: 12-MMS4010A		<b>DOUBLE E COMPANY, INC.</b> <small>300 WINDLEY ST. SUITE 300 WEST BRIDGEWATER, MA 02779 U.S.A.        TEL: (508) 388-6999 FAX: (508) 388-2913 www.doublee.com</small>	
SUPERSEDED BY	TOLERANCES AND FEATURES EXCEPT AS NOTED		
SUPERSEDES	$\pm .005$ $\pm .01$ $\pm .005$	ALL FILLETS AS SHOWN ALL DIMENSIONS AS SHOWN SURFACE FINISH 125 RMS ANGLES $\pm 1^\circ$ ANGULAR ALIGNMENT $\pm .002$ CENTERLINE FEATURES, IN CENTER $\pm .002$	TITLE SOLUTION OL W/ EDGE GUIDING AND SLITTING ROLL STAND CUST: JONELL FILTRATION DEM:
THIS DRAWING WAS PRODUCED ON A CAD SYSTEM. DO NOT ALTER MANUALLY. DO NOT SCALE FROM THIS DRAWING.			
APPROVED BY	TJCM	DATE	1/23/13
SCALE	7/160	SHEET	1 OF 1
NEXT ASSY.	TOP ASSY.	GBS	1/23/13
			REV. B2442 A3