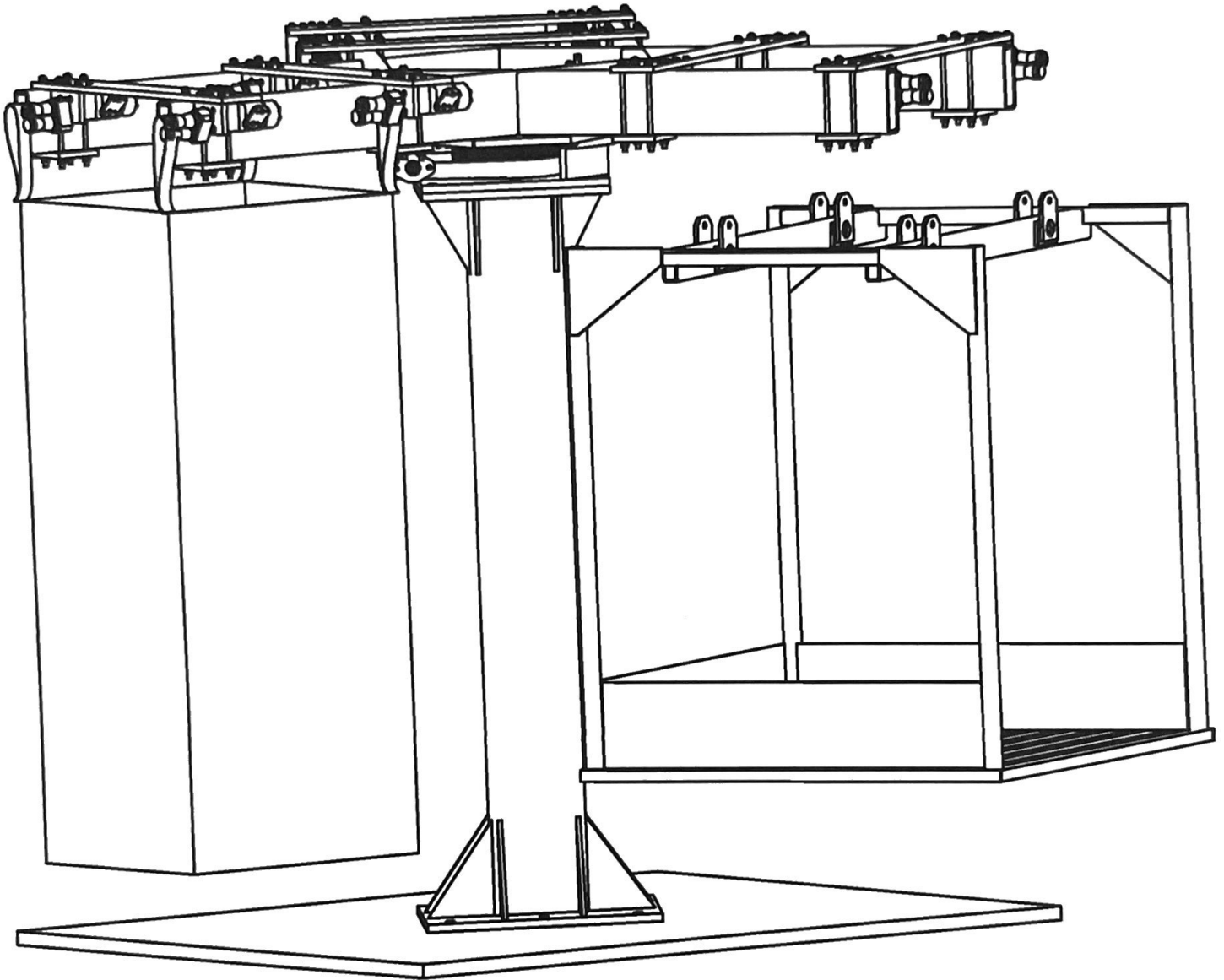


BAG CAROUSEL w/ SHAKER MOTORS



P & M Service Inc. d.b.a. Fibercore O.P.S.
101 Wilson St.
Tullahoma, TN. 37388
Phone: 931-455-8767 Fax: 931-455-8768