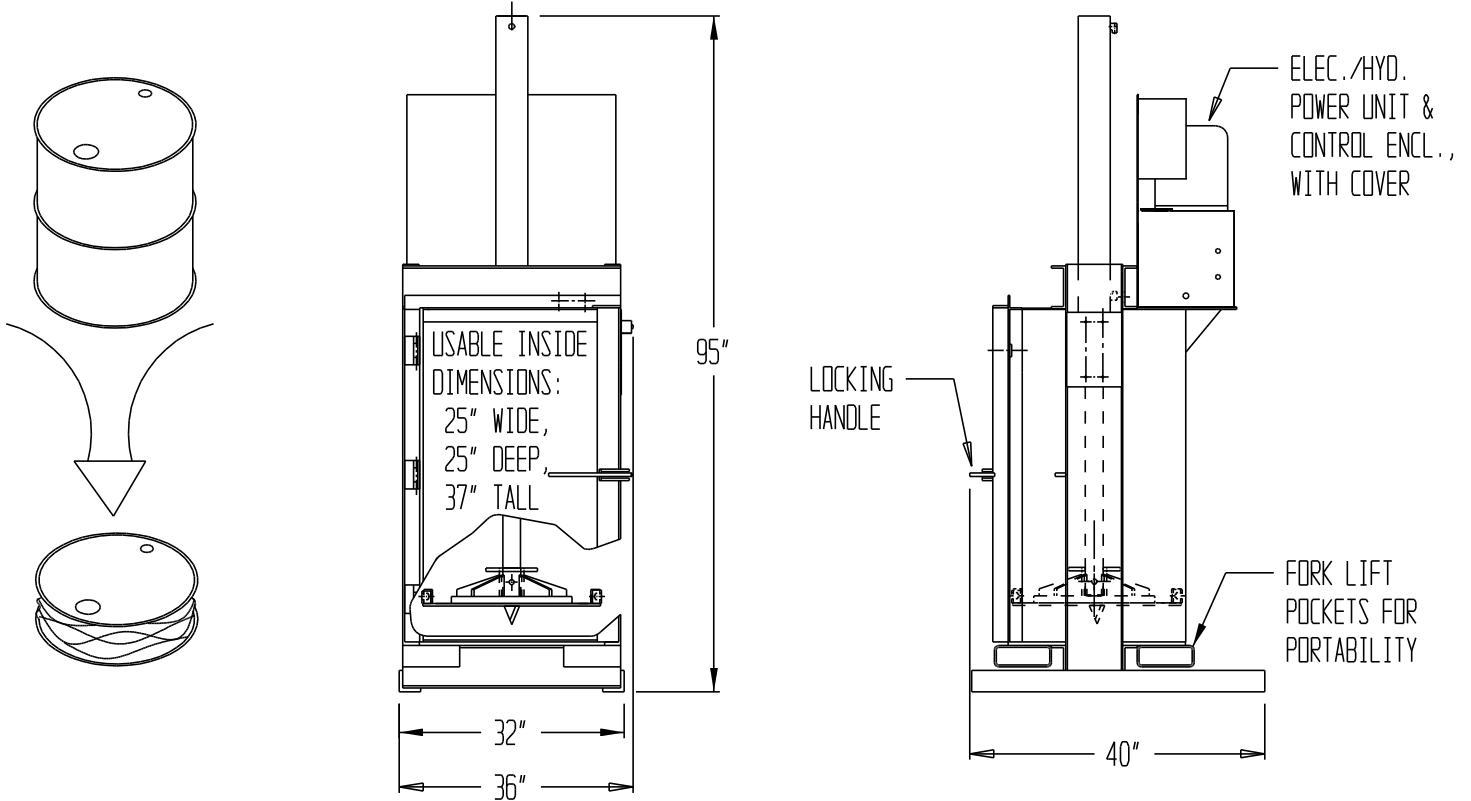


ELECTRIC/HYDRAULIC DRUM CRUSHER/COMPACTOR - HDC-900



STANDARD FEATURES

HYD. DRUM CRUSHER, MODEL HDC-900-10C
 DRUM CRUSHER AND COMPACTOR
 STD. 55 GAL. DRUM CAPACITY
 POSITIVE DRUM POSITIONING
 DRUM HEAD PIERCER TO RELEASE INTERNAL DRUM PRESSURE

6.5 HP, THREE PHASE (PREWIRED FOR 460V)
 2-SPEED HYD. GEAR PUMP -- 11 GPM
 4" DIA. DISPLACEMENT CYLINDER W/ 36" OF STROKE --
 FULL CYCLE TIME OF 18 SECONDS (CRUSH AND RETRACT)

HYD. SYSTEM PRESS. RATING: 3000 PSI,
 W/ HYD. SYSTEM RELIEF VALVE

38,000 LBS. OF CRUSHING POWER --
 REDUCES STEEL DRUMS TO ONLY 6" HIGH

24V CONTROL CIRCUIT, WITH:

- ON/OFF KEY SWITCH;
- CYCLE START BUTTON;
- CRUSH / COMPACT SELECTOR SWITCH;
- TWO PRESSURE SWITCHES --
- HIGH PRESSURE FOR CRUSHING,
- LOW PRESSURE FOR COMPACTING
- MATERIALS INSIDE A DRUM;

DOOR INTERLOCK SWITCH

SHIPPING WEIGHT: 1388 LBS.; FREIGHT CLASS 85

**SPECIAL UNITS ARE NON-RETURNABLE
 *AVAILABLE AT ADDITIONAL COSTS

SPECIAL FEATURES

NONE

CRUSHING PLATEN WEIGHT -
 (APPROX) 70 LBS

PRODUCTION WILL START UPON
 RECEIPT OF SIGNED APPROVAL
 DRAWING

APPROVAL

I, the undersigned, hereby approve this print
 As drawn As marked
 This includes my approval of design & dimensions.
 Signed: _____
 Date: _____

DISTRIBUTOR'S NAME: T & S EQUIPMENT		P.O.#: _
DRAWN BY: _		W.O.#: _
DATE: _	SALES: _	
REFERENCE: -	DRWG./FILE NAME: 22-007-001	