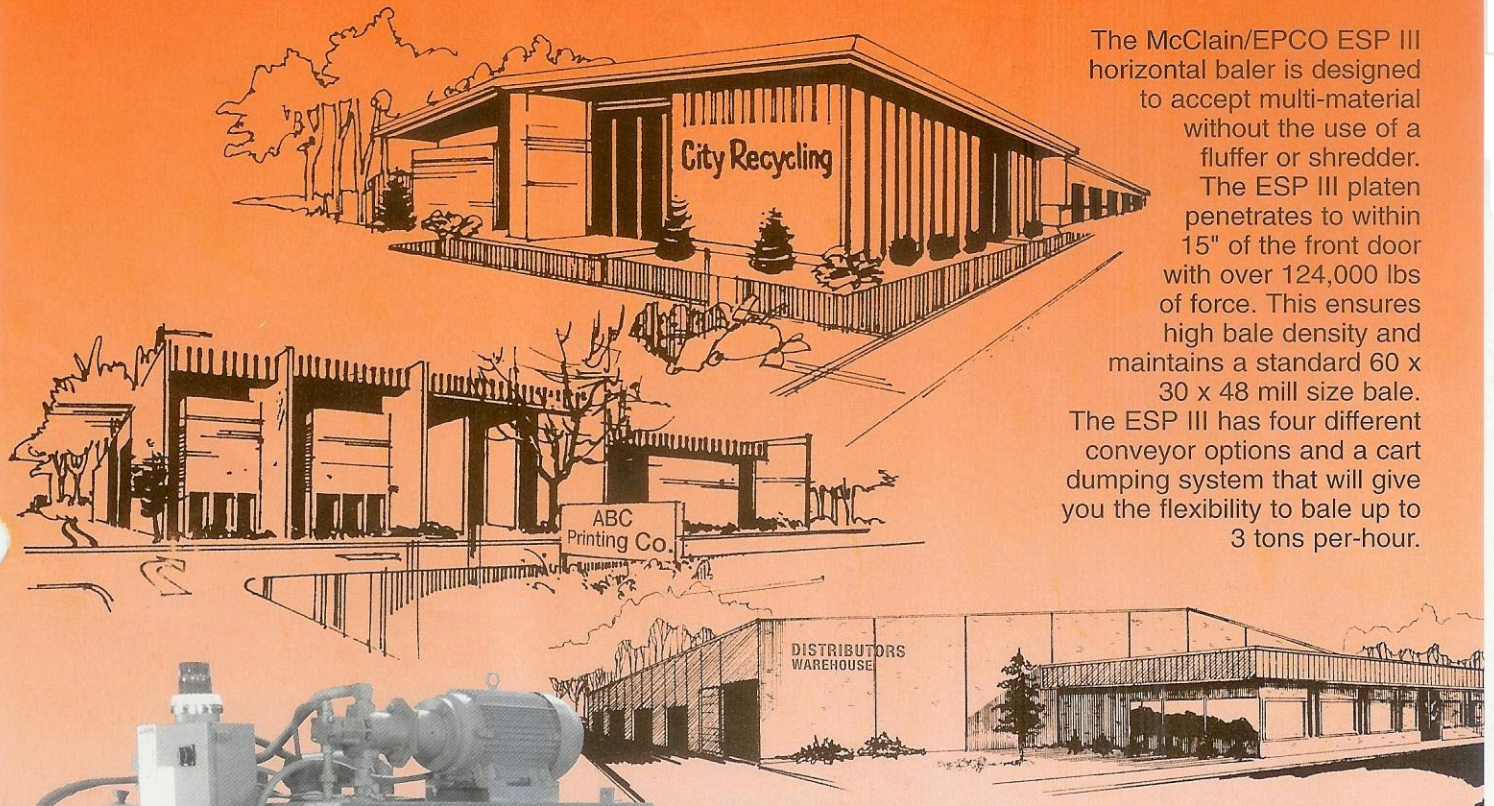


Horizontal Baler

MODEL

ESP III

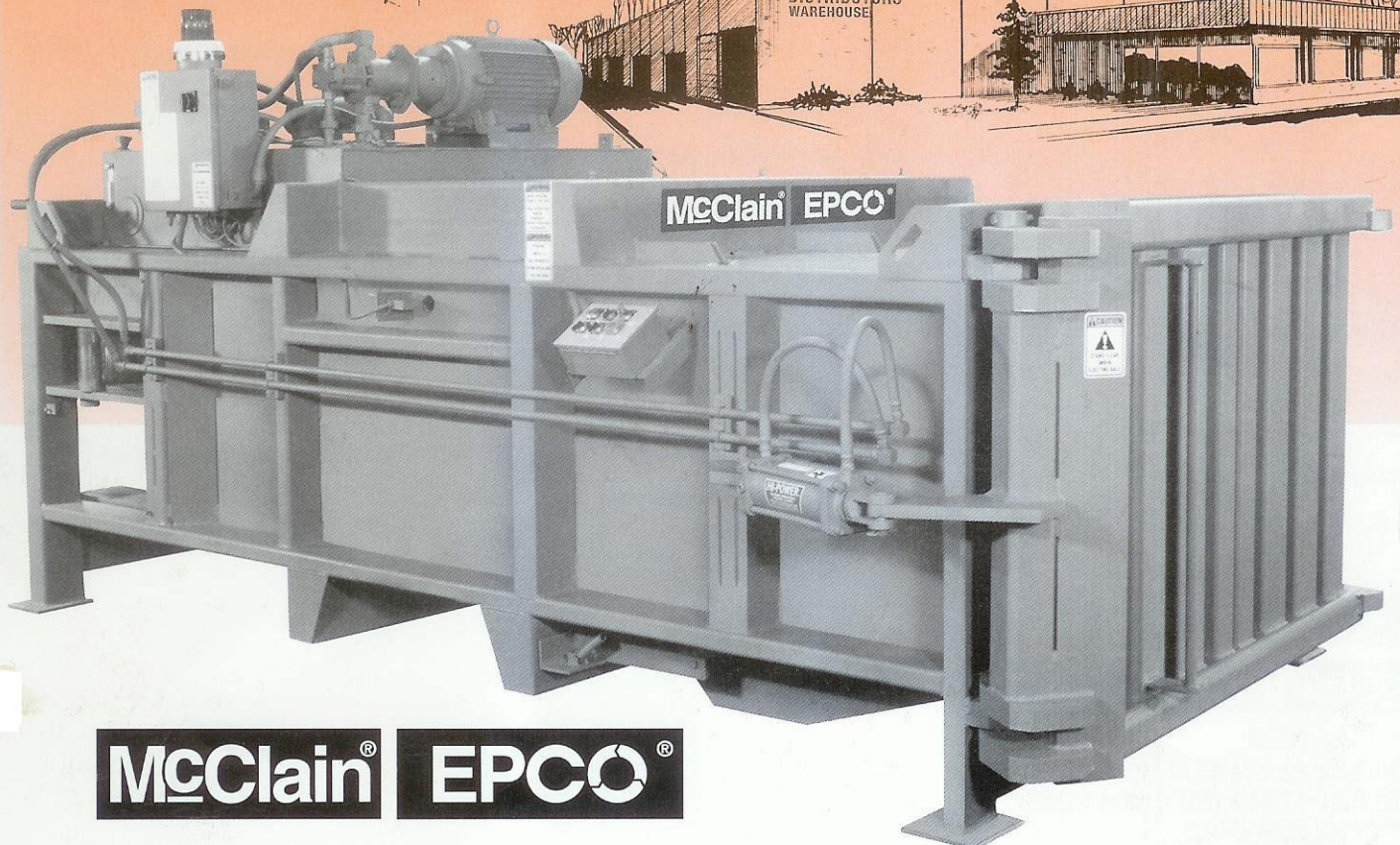
No Fluffer, No Shredder, Multi-Material Baler



The McClain/EPCO ESP III horizontal baler is designed to accept multi-material without the use of a fluffer or shredder.

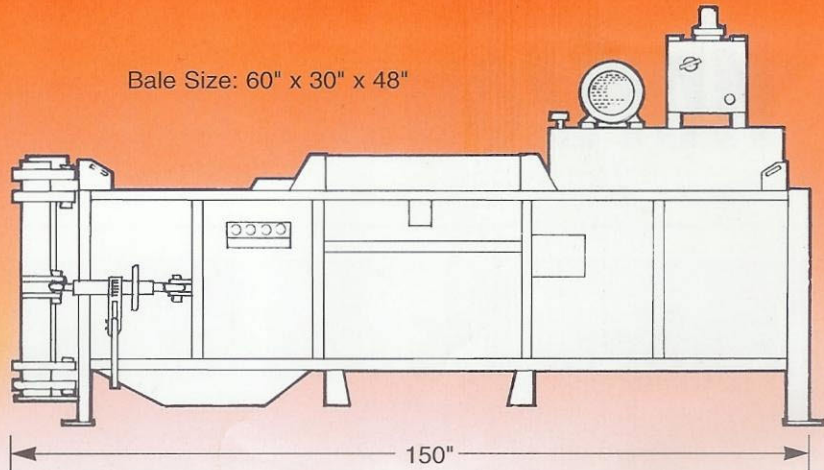
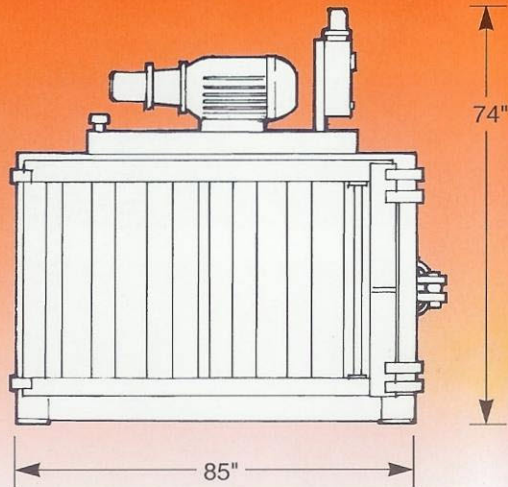
The ESP III platen penetrates to within 15" of the front door with over 124,000 lbs of force. This ensures high bale density and maintains a standard 60 x 30 x 48 mill size bale.

The ESP III has four different conveyor options and a cart dumping system that will give you the flexibility to bale up to 3 tons per-hour.



McClain®

EPCO®



Horizontal Baler

MODEL
ESP III

specifications

Feed opening:	54 x 35 inches
Bale size:	60 inches x 48 inches
Motor:	20 HP
Pump:	36 GPM
Cylinder:	(2) 6 x 4 x 54 inches
Cycle time:	35 seconds
Oil reservoir:	115 gallons
Loading height:	54 inches
Pressure: sw. setting	2250 PSI
Relief valve setting:	2500 PSI
Platen Pressure: normal max.	127,215 lbs. 141,350 lbs.
Ram face pressure: normal max.	78 PSI 87 PSI
Machine Weight:	12,000 lbs.
Overall length:	150 inches
Overall width:	85 inches

features

Full Chamber Penetration

- For maximum density bales in paper and plastic
- Platen travels 32" into bale chamber
- Eliminates material expansion into bale chamber
- Bernell 500 wear strips

Baling Flexibility

- Bales are ejected completely from machine as they are made
- Simplifies baling operation and allows for ease in switching materials

Large Feed Opening

- For ease of loading large bulky materials
- 54" x 35" feed opening

Bale Paper with No Fluffing or Shredding

- Office, news, magazine

Hydraulic Door Closure Standard

Compact Size

- 12 1/2 feet long x 7 feet wide
- Saves valuable floor space (81.25 sq. ft.)

Options

Feed Conveyors

- Four conveyors to choose from
 - 14' incline conveyor with horizontal noseover
 - 24' incline pit conveyor with horizontal noseover
 - 17' incline conveyor without horizontal noseover
 - 25' pit conveyor without horizontal noseover

Conveyor inter-facing to baler standard—*Contact your nearest McClain EPCO representative for detailed drawings*

- Conveyor controls standard

- Photo-eye operation

- Hopper with access door

Standard Horizontal Baler

- Hoppers with inter-locked access door

- Tank heater

- Nema 4 controls

- Cart dumper options are available

McClain EPCO

McClain® E-Z Pack® EPCO®

DISTRIBUTED BY: