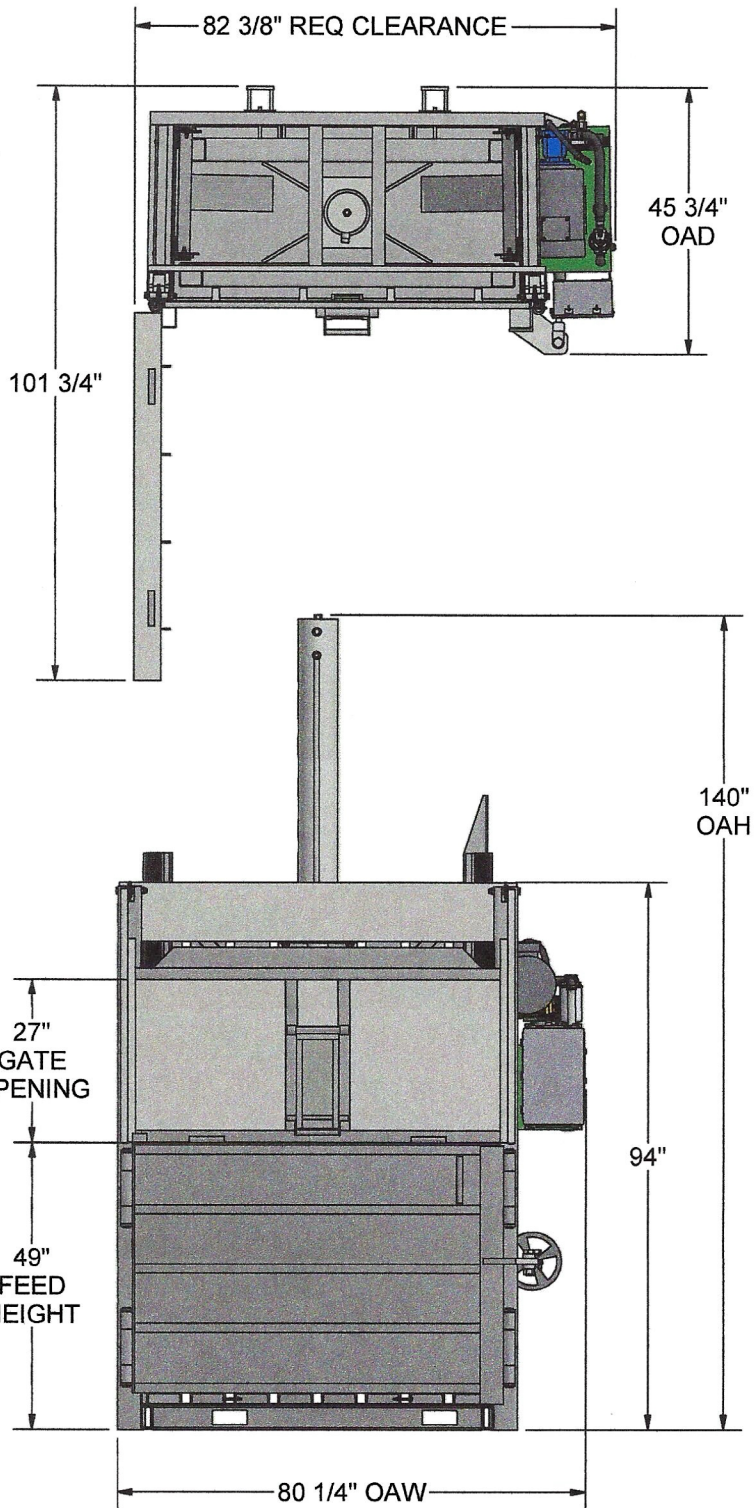


VERTICAL BALER

6030HDB



Built-in forklift pockets allow for ease of transport and installation. Baler can be easily loaded on a standard flatbed by a forklift.

Specifications

CYLINDER BORE	6"
CYLINDER ROD	3.5"
CYLINDER STROKE	48"
MOTOR HP	10
PHASE & VOLTAGE	3 PHASE 208-230/460
BALE WEIGHT OCC	800-1,000#
BALE SIZE	60" X 30" X 48"
FEED GATE OPENING	27" X 60"
FEED HEIGHT	49"
PLATEN AREA (sq. inches)	1,725
PLATEN FORCE (lbs.)	56,500
OPERATING PRESSURE	2,000 PSI
CYCLE TIME (sec.)	51
CONTROL VOLTAGE	110 V
PUMP SIZE GPM @ 1850 RPM	12
SHIPPING WEIGHT (lbs.)	4,000

*Optional Features: bale wire guides, oil heater, and auto-eject.



Tel: 877.468.9278 | sales@wastequip.com | www.wastequip.com

Wastequip is the leading North American manufacturer of waste and recycling equipment for collecting, processing, and transporting recyclables and solid or liquid waste. © Wastequip. All rights reserved. Specifications subject to improvement without notice. Equipment displayed should be operated by properly trained personnel. Operators should become familiar with OSHA, ANSI, and any other applicable standards or laws for using this equipment. Improper use, misuse, or lack of maintenance could cause injury to people and/or property. Photos used in the literature are illustrative only. We assume no liability or responsibility for proper training/operation of equipment not manufactured by Wastequip. We reserve the right to make changes at any time without notice. Information contained within this literature is intended to be the most accurate available at time of printing.

WQP003-052019