

Product details

Baler B5 Wide



Whisper

30 dB



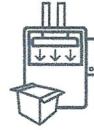
Refrigerator

50 dB



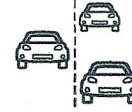
B5 Wide

65-68 dB



Other balers

75 dB



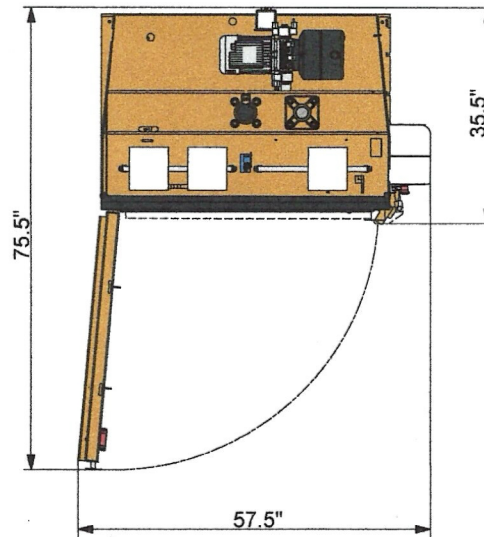
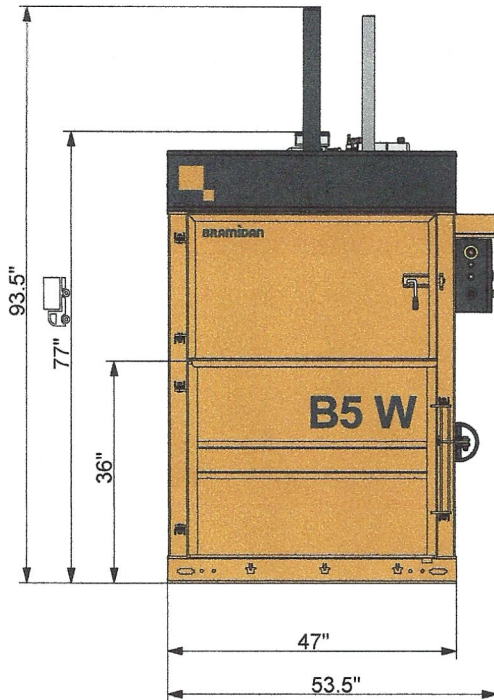
Cars on highway

100 dB



Turbojet engine

160 dB



Technical specifications

Bale size WxDxH (inch)	36 x 24 x 30
Feed opening WxH (inch)	39 x 21
Power supply	110V 1-Phase 60Hz 20A
Motor (HP)	2.0
Cycle time avg. (sec)	32
Dimensions WxDxH (inch)	54 x 36 x 94/77
Weight (lbs)	1,325
Stroke (inch)	30
Number of ties	3
Type of tying	Twine
Full bale light	Yes
Bale eject	Automatic



Bale weight

Cardboard (lbs)	175-245
Plastic foil (lbs)	200-290



Press force 11,000 lbs



Noise level 65-68 dB



Waste types

Cardboard, plastic foil, paper.