

# Side-Eject Horizontal Balers

Model SE-504842-830 SE-504242-830 SE-503042-830 SE-503042-720 SE-503042-620-E

## Specifications

\*Optional Lengths Available

Bale Size (WxHxL*)	48"x42"x72"	42"x42"x72"	30"x42"x72"	30"x42"x72"	30"x42"x72"
Clear Top Opening	50"L x 46"W	50"L x 40"W	50"L x 28"W	50"L x 28"W	50"L x 28"W
Bale Weight (OCC)	1,800-2,000 lbs.	1,600-1,800 lbs.	1,300-1,500 lbs.	1,200-1,400 lbs.	1,100-1,300 lbs.
Wire Ties (OCC)					
Quantity Needed	5	5	5	5	5
Gauge	11	11	11	12	12
Length	21 ft.	20 ft.	18 ft.	18 ft.	18 ft.

## Performance

Cycle Time (empty)	20 sec.	20 sec.	20 sec.	22 sec.	41 sec.
Platen Force	125,700 lbs.	125,700 lbs.	125,700 lbs.	96,200 lbs.	70,700 lbs.
Platen Pressure	63.9 psi	73.0 psi	102.2 psi	78.2 psi	57.5 psi
Penetration	16"	16"	16"	16"	16"

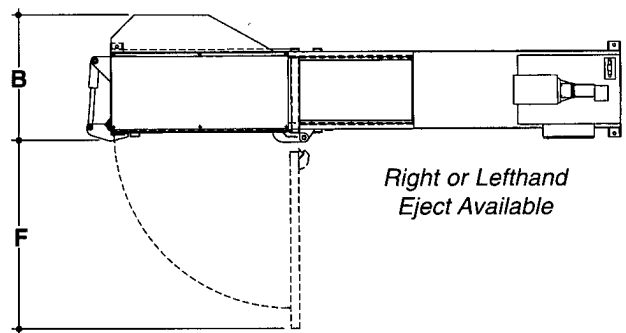
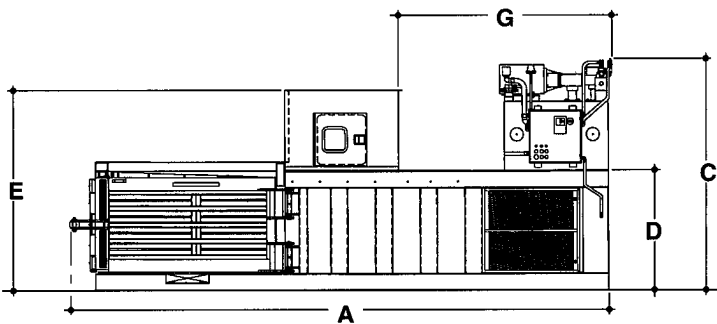
## Hydraulic/Electric

Motor	30 hp	30 hp	30 hp	20 hp	20 hp
Pump	75 gpm	75 gpm	75 gpm	49 gpm	18.5 gpm
Operating Pressure	2500 psi	2500 psi	2500 psi	2500 psi	2500 psi
Cylinder Bore	8"	8"	8"	7"	6"
Cylinder Rod	4 1/2"	4 1/2"	4 1/2"	4 1/2"	4"
Cylinder Stroke	.68"	.68"	.68"	.68"	.68"
Reservoir	150 gal.	150 gal.	150 gal.	150 gal.	55 gal.
Pump Type	Vane	Vane	Vane	Vane	Gear

Weight.....18,700 lbs. ....17,700 lbs.....15,200 lbs .....15,000 lbs.....12,400 lbs

## Dimensional Data

	A	B	C	D	E	F	G	Material Thicknesses
SE-504842-830	20'-10"	77"	105"	55"	92"	86"	97"	Ram Face: 1/2" PL w/1" bars (3/8" on 620-E); Ram Bottom: 1/2" (3/8" on 620-E); Liner Plate: 3/8"; Ram Top: 3/8"; Floor: 1/2" (3/8" on 620-E); Bale Chamber Sides: 3/8" (1/4" on 620-E); Charge Chamber Sides: 3/8"
SE-504242-830	20'-10"	71"	105"	55"	92"	86"	97"	
SE-503042-830	20'-10"	59"	105"	55"	92"	86"	97"	
SE-503042-720	20'-10"	59"	105"	55"	92"	86"	97"	
SE-503042-620-E	20'-10"	59"	88"	55"	92"	86"	97"	



## Options

- Cart Dumper System
- Carts
- Tongue & Groove Floor/Ram
- Conveyor Stop Control
- Bale Wire
- Material Selector Switch
- No Front Tie Off
- Secondary Control Station w/Lock out
- Remote Power Pack
- Accessory Control Options
- Remote Control Station
- Special Paint
- Oil Cooler (std on 30hp models)
- Immersion Oil Heater
- Oil Temp. Shut Down
- Low Oil Shut Down
- 60" Feed Opening
- Ground Feed Hopper w/Extra Stop Switch
- 208/230 & 575 Volt
- Sonic Sensor
- Upper Photo Cell



## MARATHON EQUIPMENT COMPANY

P.O. Box 1798 • Vernon, AL 35592-1798 USA • (205) 695-9105 fax (205) 695-7250 1-800-633-8974  
 130 Hwy. 339 • Yerington, NV 89447 USA • (775) 463-4030 fax (775) 463-4531 1-800-624-5724  
 901 Industrial Park Rd. • Clearfield, PA 16830 USA • (814) 765-0200 fax (814) 765-2072 1-800-922-7062  
 130 Bridgeland Ave. • Unit 210 • Toronto, Ontario • Canada • M6A 1Z4 fax (814) 765-2072 1-814-765-0200  
 Visit Our Web Site: [www.marathon-equipment.com](http://www.marathon-equipment.com)



Pictures in this literature are illustrative only. Specifications are subject to change without notice in order to accommodate improvements to the equipment. Certified in compliance with ANSI Regulation Z245.5 and all OSHA standards. Products must be used with safe practice and in accordance with said regulations and standards.