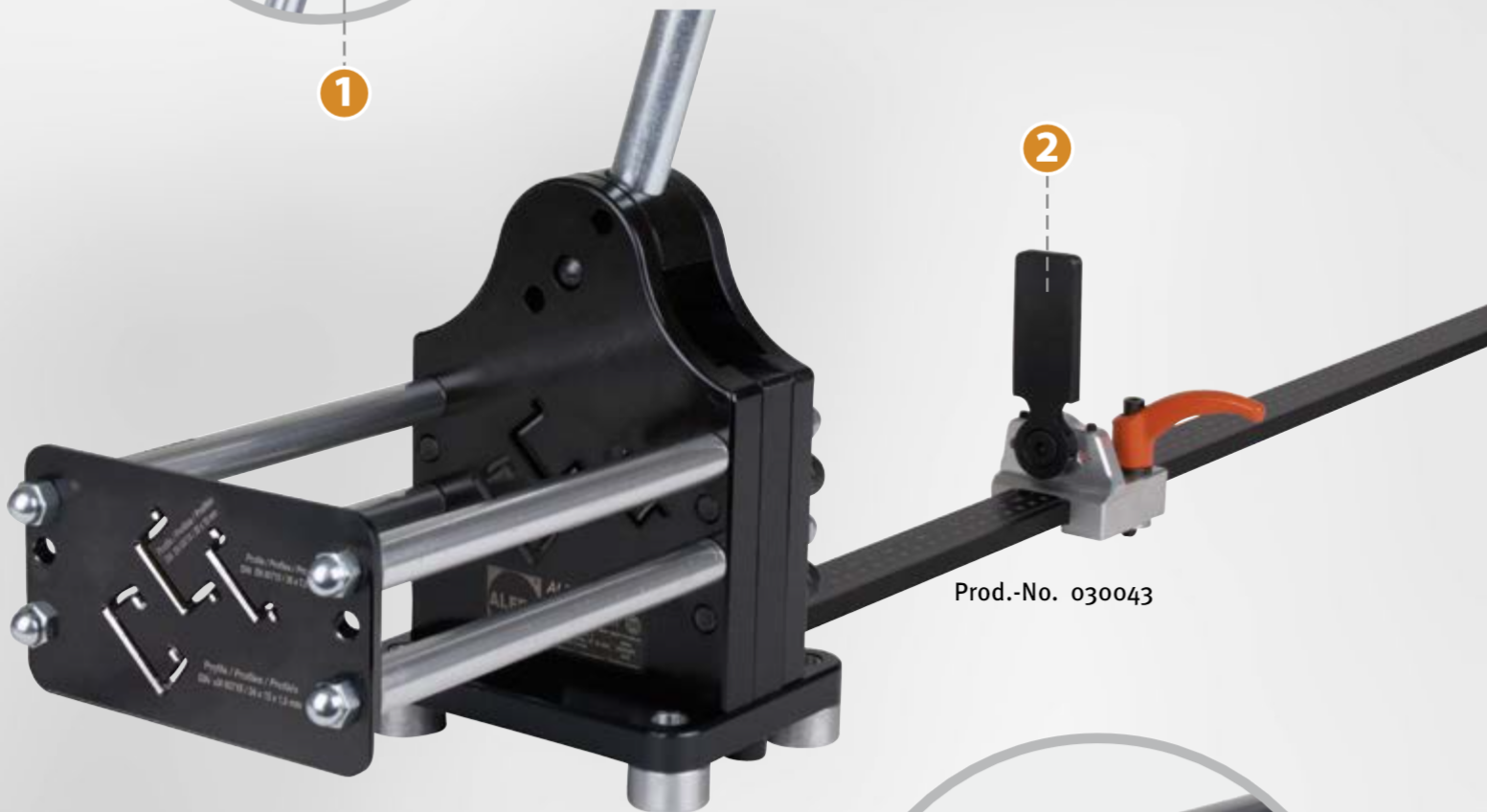


ALFRA PROFILE RAIL CUTTING DEVICE® – PSG 3®



1

- 1 Handgriff: verstärkt - softtouch
- 2 Anschlag mit mm/Inch lasergraviert
- 3 Profildurchgang ist optimiert für geringstmögliches Schnittspiel



2

Prod.-No. 030043



3

ALFRA PROFILE RAIL CUTTING DEVICE® – PSG 3®

For hand-operated mounting rails

Cuts profile and ground rails precisely and without effort.
Standard version for TS 35/7,5 - 35/15 - C-Profile 34 / 15

- With reinforced cam located directly above the shear plate
- Lower force application due to improved force transmission
- Burr-free cutting to length without waste
- Maintenance-free
- Anodised, laser-engraved length limit stop 1,000 mm with guiding device for precise angled cutting to length, with millimetre and inch scaling
- Shear plate re-grindable
- Guidance fixture for 90° angle-precise cutting
- Easy to install on the workbench
- Custom-made products are also possible (please send us a sample rail of about 1,000 mm length)



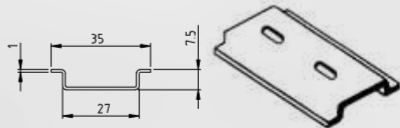
Guidance fixture
for 90° angle-precise cutting

Scope of delivery Standard version

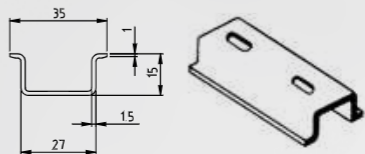
	Prod.-No.
1000 mm length limit stop and guiding device incl. C-Profile 34 mm / 15 mm	030043
1000 mm length limit stop and guiding device incl. C-Profile 35 mm / 18 mm	030044

Standard version

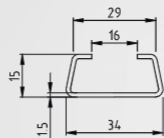
Mounting rail
35 mm / 7.5 mm
as per EN 60715



Mounting rail
35 mm / 15 mm
as per EN 60715



C-Profile 34 mm / 15 mm
(in Prod.-No. 030043 included)



C-Profile 35 mm / 18 mm
(in Prod.-No. 030044 included)

