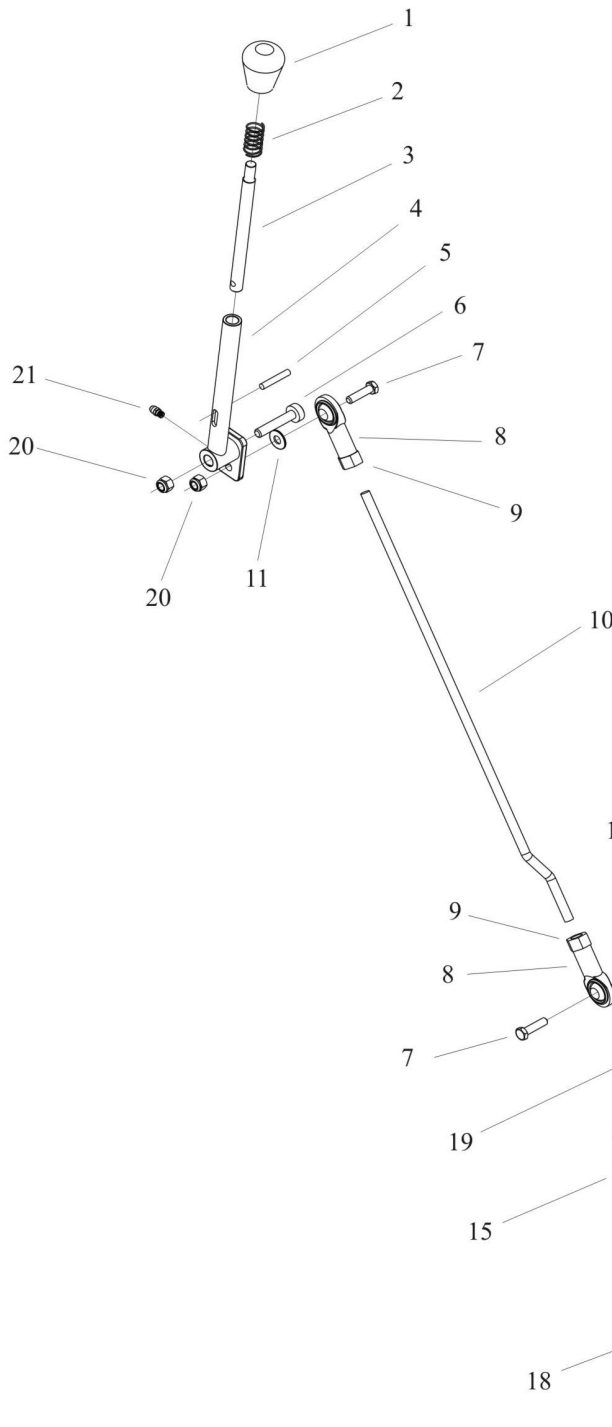




## Control Arm

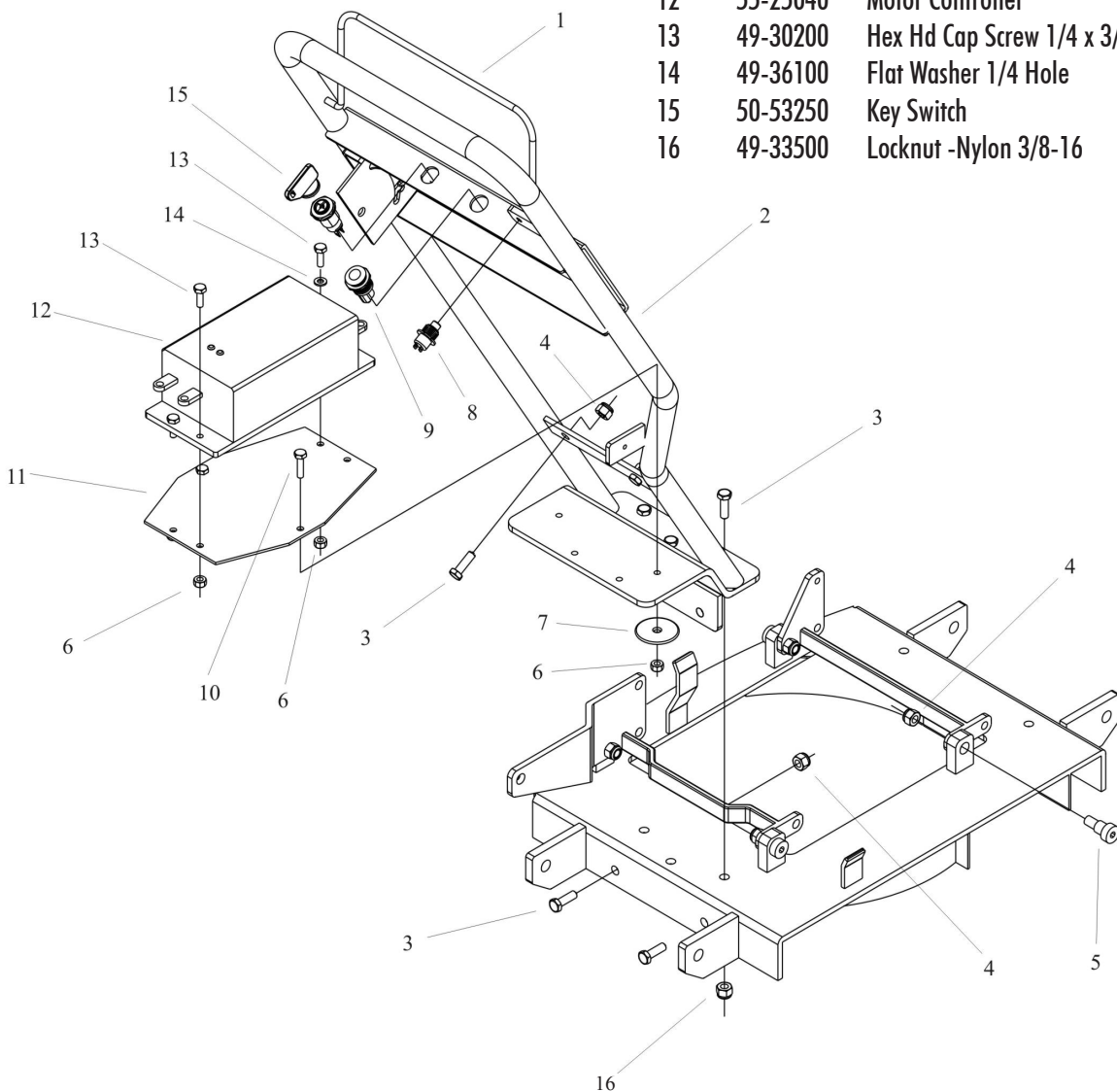


Ref.#	Part #	Description	OEM #
1	55- 5120	Depth Selector Handle Knob	
2	10- 120	Gear Shift Spring	C18291600318
3	55- 5100	Depth Selector Rod	
4	55- 5110	Depth Selector Handle Knob	
5	49-37800	Split Pin 1/4 x 1 1/2	
6	50-51925	Axle 1/2 x 1 1/4	1/2 x 1 1/4 Stripper Bolt
7	49-30550	Hex Hd bolt 3/8 x 1 1/4	3/8 - 16 x 1 1/4
8	25-51855	Rod End	VCW6
9	49-33600	Hex Hd Nut 3/8-24	
10	55-25330	Depth Adjustment Rod	
11	49-36250	Flat Washer 3/8	
12	49-33235	Hex Hd Jam Nut 5/16-18	
13	49-30050	Stripper Bolt 3/8 x 3/8	
14	55- 3210	Engine Mount Connecting Bar	
15	49-33555	Hex Jam Nut 3/8-16	
16	49-19025	Grease Fit 1/4-28 45 Deg.	1636
17	55- 3150	Front Engine Mount Depth Adj.	
18	55-25310	Engine Mount	
19	55- 3200	Back Engine Mount Depth Adj.	
20	49-33500	Locknut-Nylon 3/8-16	
21	49-19035	Grease Fitting 1/4-28 Straight	



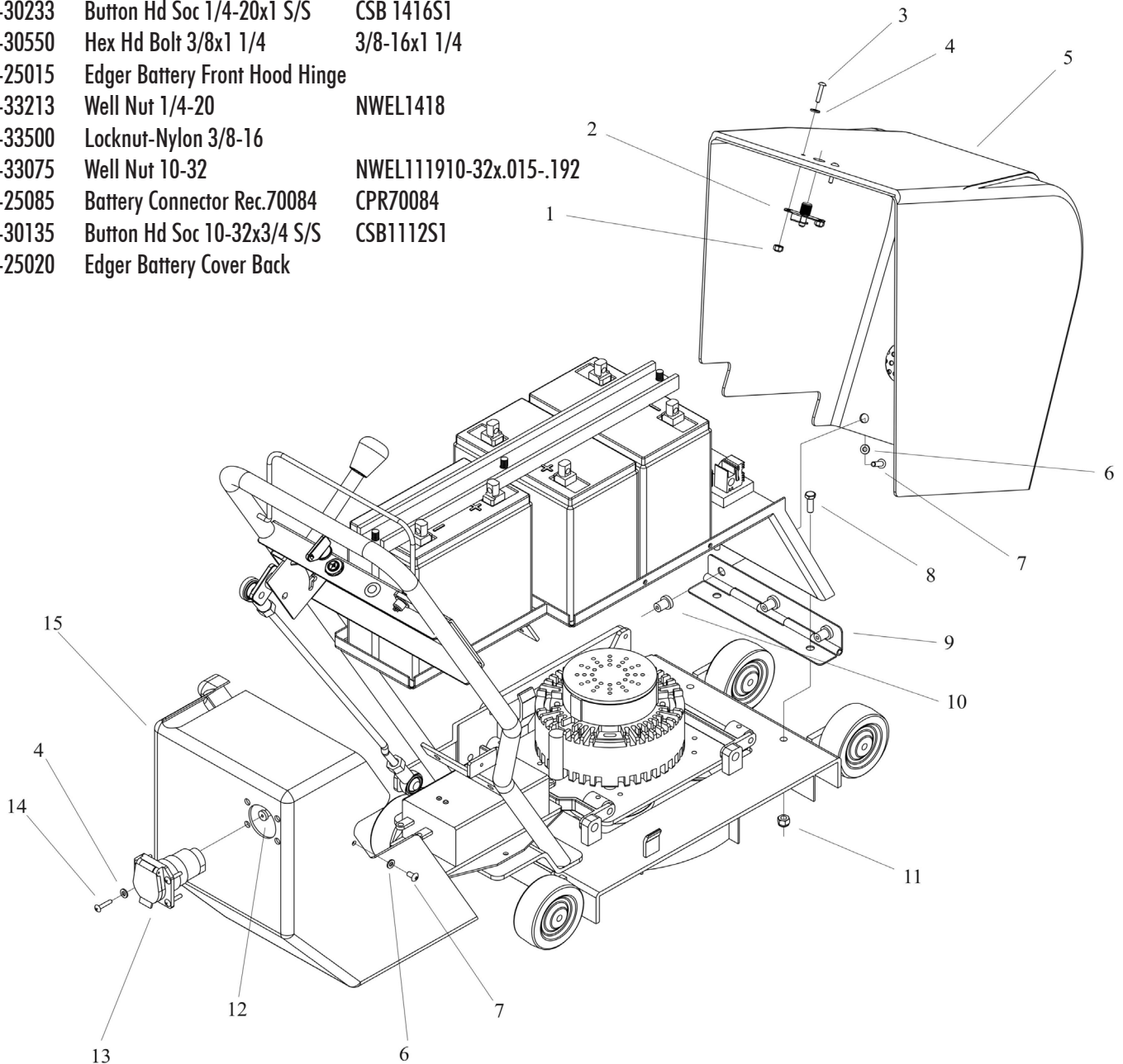
## Handel Bar

Ref. #	Part #	Description	OEM #
1	55-25450	ON/OFF Bar	
2	55-25400	Handle	
3	49-30500	Hex Hd Bolt 3/8 x 1	3/8 - 16 x 1
4	49-33555	3/8 - 16 Hexjam Nut	
5	55- 1050	Motor Mount Pivot Bolt	1/2 x 1/2 Stripper Bolt
6	49-33200	Locknut Nylon 1/4-20	
7	35-23860	Bottom Hub Washer	
8	55-25070	Safety Push Button	OTT P1-62122
9	50-53015	Valve Pilot Light	PL-20-GC 2 Wire
10	49-30230	Hex Hd Bolt 1/4 x 1	1/4-20 x 1
11	55-25042	Controller Mount	
12	55-25040	Motor Controller	SRE-MC 248-11
13	49-30200	Hex Hd Cap Screw 1/4 x 3/4	1/4-20 x 3/4
14	49-36100	Flat Washer 1/4 Hole	3/16 Flat Washer - Zinc
15	50-53250	Key Switch	95614
16	49-33500	Locknut -Nylon 3/8-16	

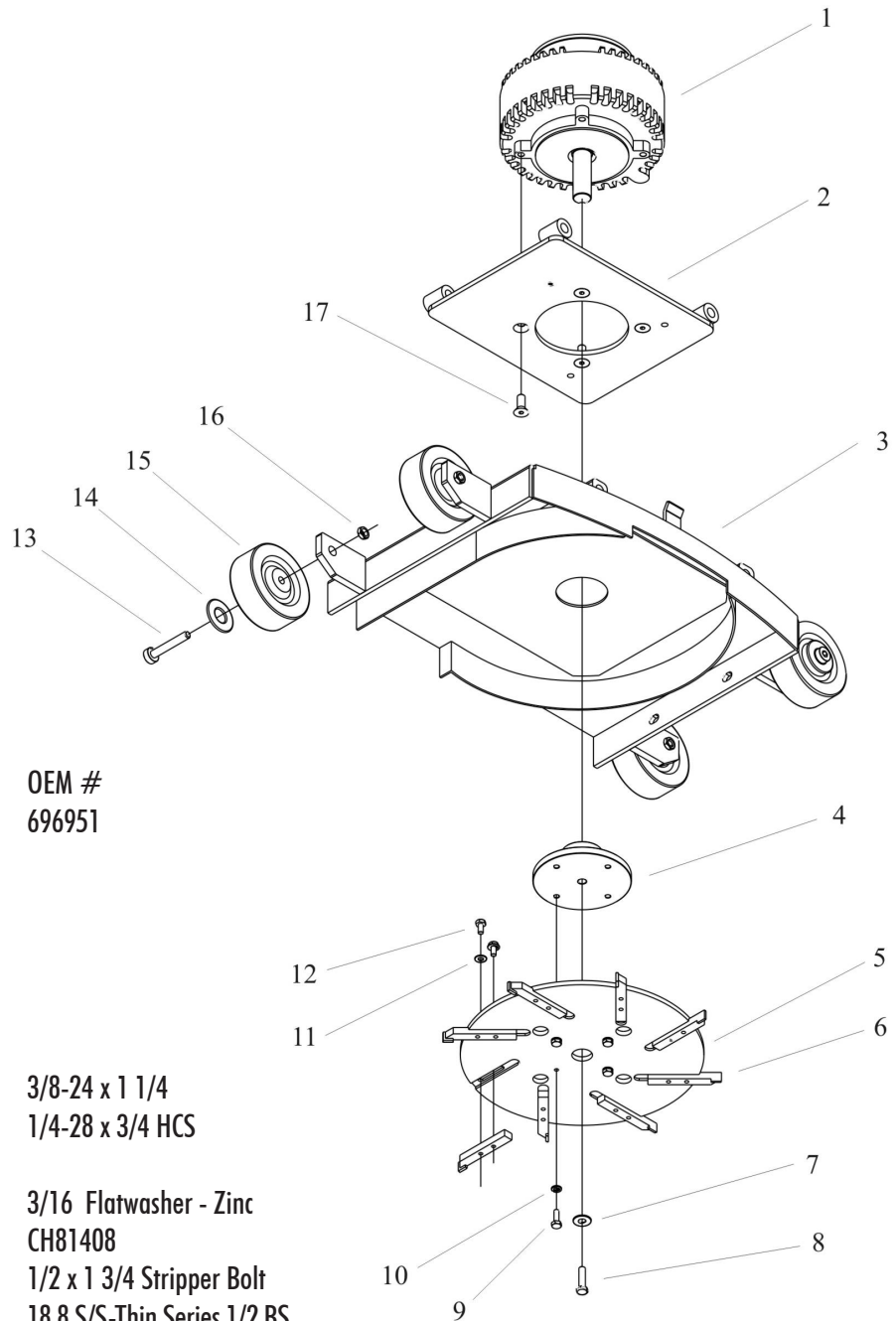


## Panels & Sled

Ref.#	Part #	Description	OEM #
1	49-33130	Locknut-Nylon 10-32 S/S	NS11S1
2	46- 9600	Panel Turn Latch	MO99957-10-201-10 Spring Latch
3	49-30134	Button Hd Soc10-32x1/2 S/S	
4	49-36045	Nylon Flat Washer # 10	WF194375032NY.194x.375x.032
5	55-25010	Edger Battery Cover Front	
6	49-36140	Nylon Flat Washer 1/4	WF257500032NY.257X.500X.032
7	49-30233	Button Hd Soc 1/4-20x1 S/S	CSB 1416S1
8	49-30550	Hex Hd Bolt 3/8x1 1/4	3/8-16x1 1/4
9	55-25015	Edger Battery Front Hood Hinge	
10	49-33213	Well Nut 1/4-20	NWEL1418
11	49-33500	Locknut-Nylon 3/8-16	
12	49-33075	Well Nut 10-32	NWEL111910-32x.015-.192
13	55-25085	Battery Connector Rec.70084	CPR70084
14	49-30135	Button Hd Soc 10-32x3/4 S/S	CSB1112S1
15	55-25020	Edger Battery Cover Back	



## Under Carriage



Ref. #	Part #	Description	OEM #
1	55-25005	Motor Electric	696951
2	55-25310	Engine Mount	
3	55-25300	Base	
4	55-25350	Bottom Hub	
5	55-25355	Bottom Plate	
6	50-51760	Edger Blade	
7	49-36250	Flat Washer 3/8	
8	49-30560	Hex Hd bolt 3/8 x 1 1/4	3/8-24 x 1 1/4
9	49-30205	Hex Hd Bolt 1/4 x 3/4	1/4-28 x 3/4 HCS
10	49-36170	Lockwasher 1/4	
11	49-36100	Flat Washer 1/4 Hole	3/16 Flatwasher - Zinc
12	49-30152	Hex Head Bolt 1/4 X 1/2 GR8	CH81408
13	50-51930	Back Axle	1/2 x 1 3/4 Stripper Bolt
14	55- 1010	Wheel Washer	18.8 S/S-Thin Series 1/2 BS
15	55- 1000	Rubber Wheel 4"	RED 100PU14
16	49-33555	3/8 - 16 Hexjam Nut	
17	49-30530	Flat Socket Screw 3/8 x 1	3/8-16x1

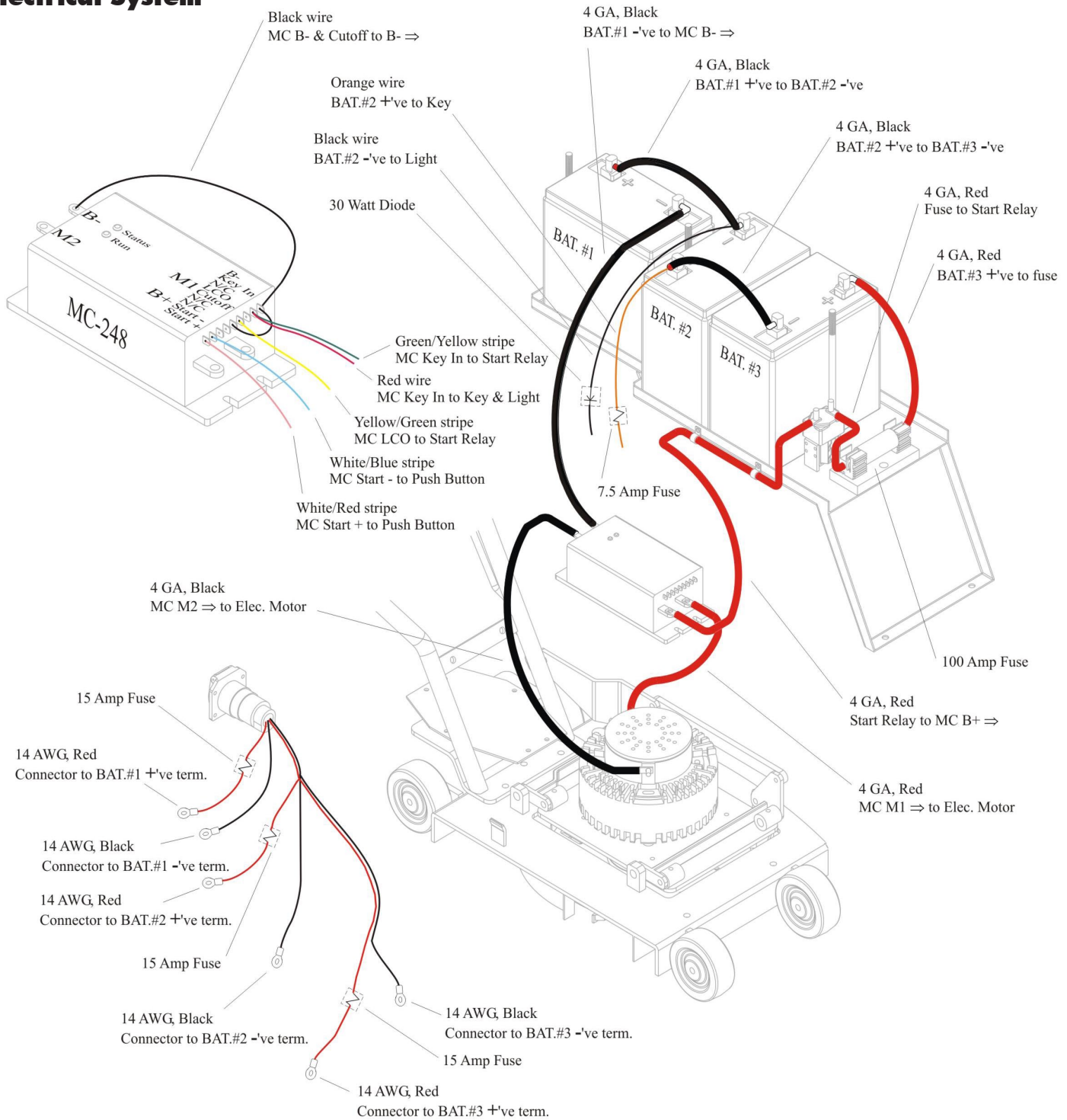
# 3

## PARTS LIST

### Battery Tray

Ref. #	Part #	Description	OEM #
1	49-33500	Locknut - Nylon 3/8 - 16	
2	49-36250	Flat Washer 3/8	
3	55-25095	Battery Hold Down Channel 22"	R-13858
4	55-25000	Edger Battery	SLA12-55
5	55-25045	Edger Battery Relay-Contactor	SRE-CT-SW80B-60
6	49-30110	RD Soc. M/S 10/24 x 1/2	
7	55-25055	Edger Battery 100 Amp Fuse	LJP-100SP
8	55-25050	Edger Battery Fuse Block 100A	LJ60100-1C
9	49-33115	Locknut-Nylon 10-24	10-24 Nylon Insert Locknut
10	55-25100	Edger Battery Tray	
11	49-30550	Hex Hd Bolt 3/8 x 1 1/4	3/8-16x 1 1/4
12	49-38290	M4 x 8 Hex Cap Screw	9338M0408
13	37- 198	Insulated 3/8 " Clamp	35030
14	49-30150	Hex Hd Bolt 1/4 x 1/2	1/4-20 x 1/2
15	49-33200	Locknut - Nylon 1/4 - 20	

## Electrical System



**NOTE:**

- RED WIRES ALWAYS +VE
- BLACK WIRES ALWAYS -VE

**WARNING :** INSTALLING BACKWARDS WILL CAUSE DAMAGE AND POSSIBLE INJURY.