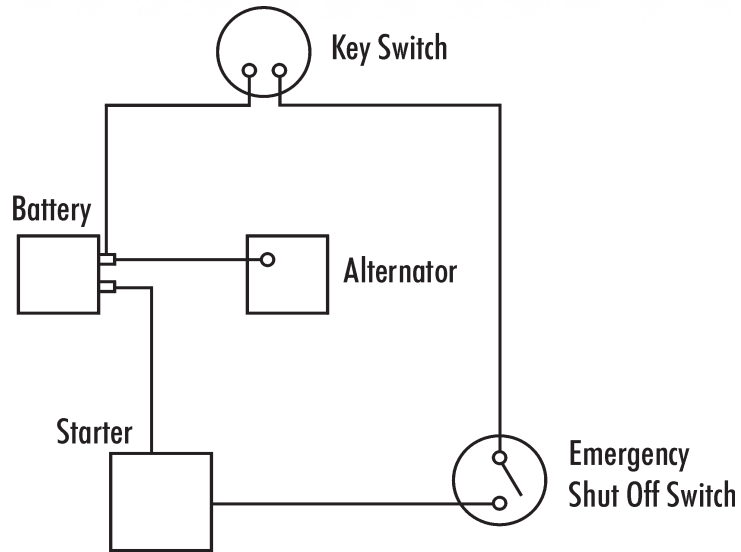


3

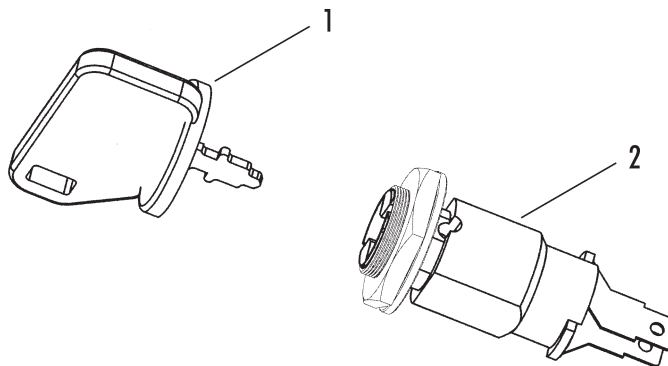
PARTS LIST

Edger Electric Start

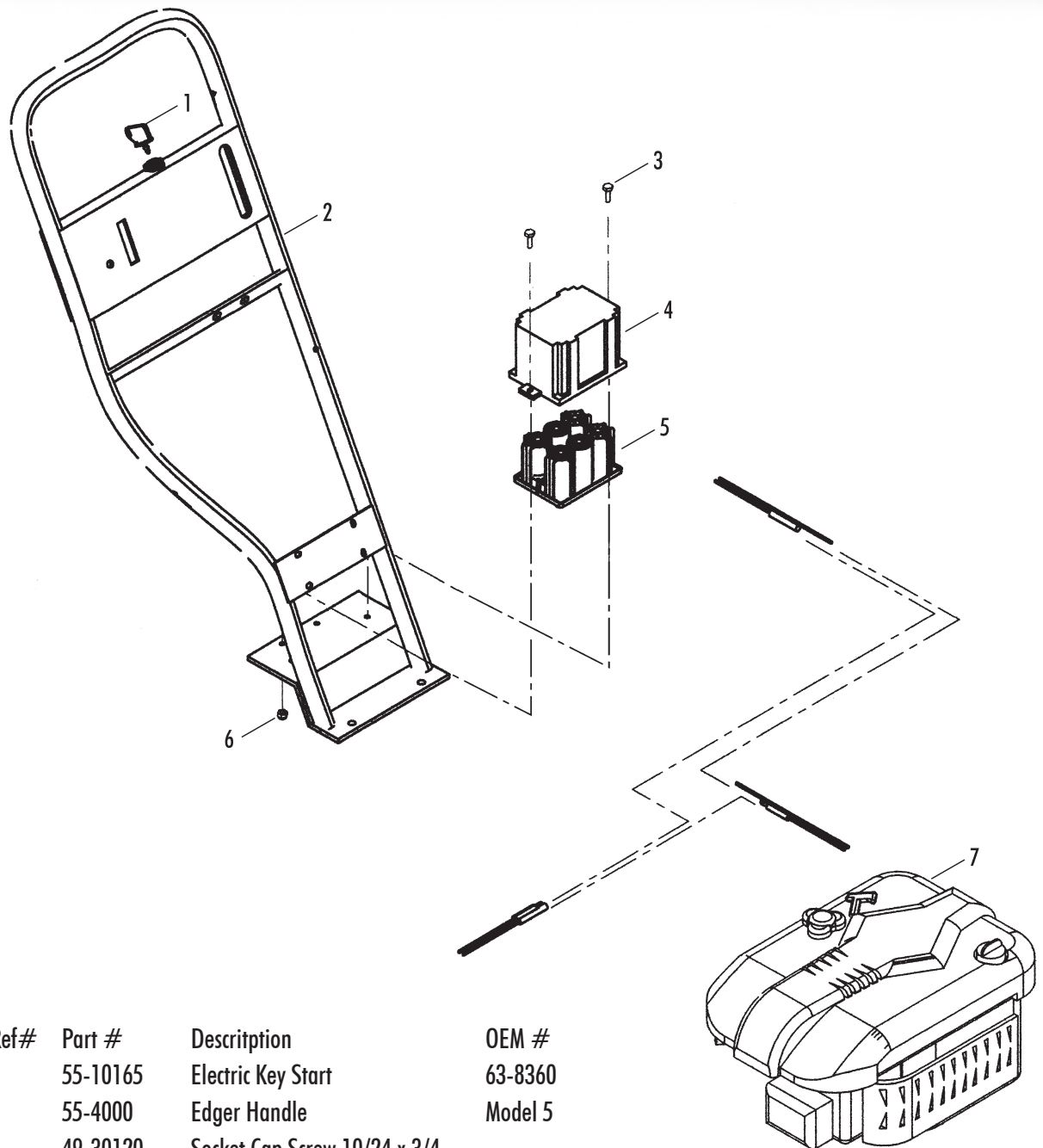


Ignition Switch

| Ref# | Part # | Description | OEM # |
|------|----------|-----------------------|---------|
| 1 | 55-10165 | Electric Start Key | 63-8360 |
| 2 | 55-10160 | Electric Start Switch | 46-5780 |



Electrical System

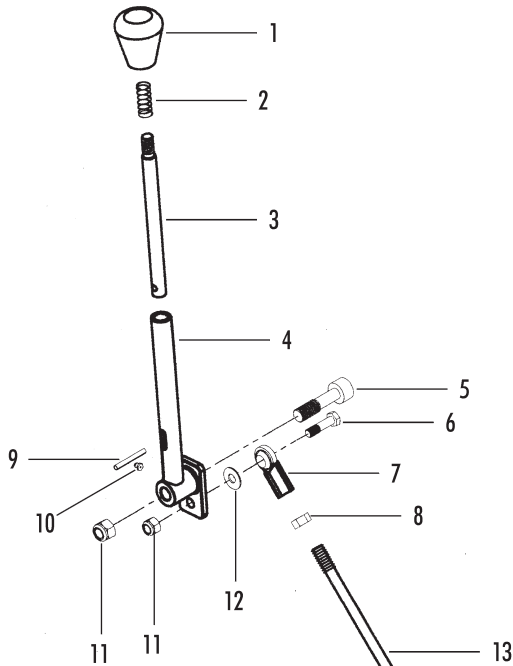


| Ref# | Part # | Description | OEM # |
|------|----------|---------------------------------|----------------------------|
| 1 | 55-10165 | Electric Key Start | 63-8360 |
| 2 | 55-4000 | Edger Handle | Model 5 |
| 3 | 49-30120 | Socket Cap Screw 10/24 x 3/4 | |
| 4 | 55-10155 | Electric Start Battery Case | Lawnboy 95-3017 |
| 5 | 55-10150 | Electric Start Battery | Lawnboy 55-7520 |
| 6 | 49-33115 | Locknut-Nylon 10-24 | 10-24 Nylon Insert Locknut |
| 7 | 55-500 | 6HP Intek Engine & Electric St. | 121607-0227-E1 |

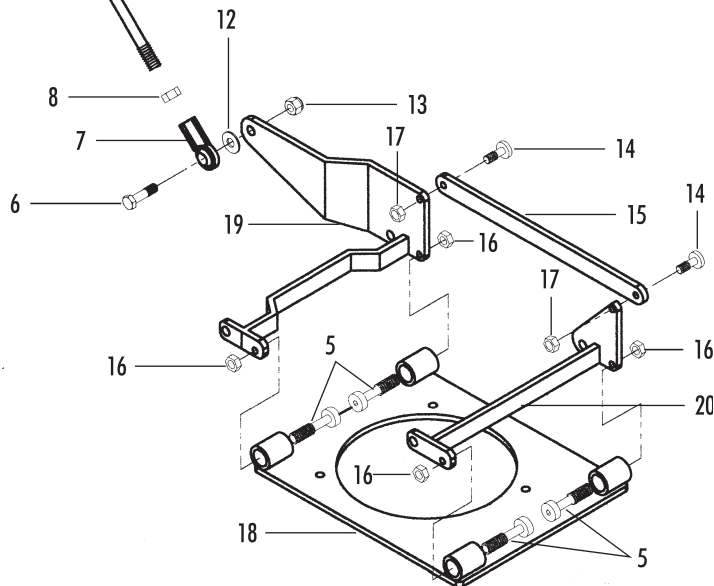
3

PARTS LIST

Control Arm



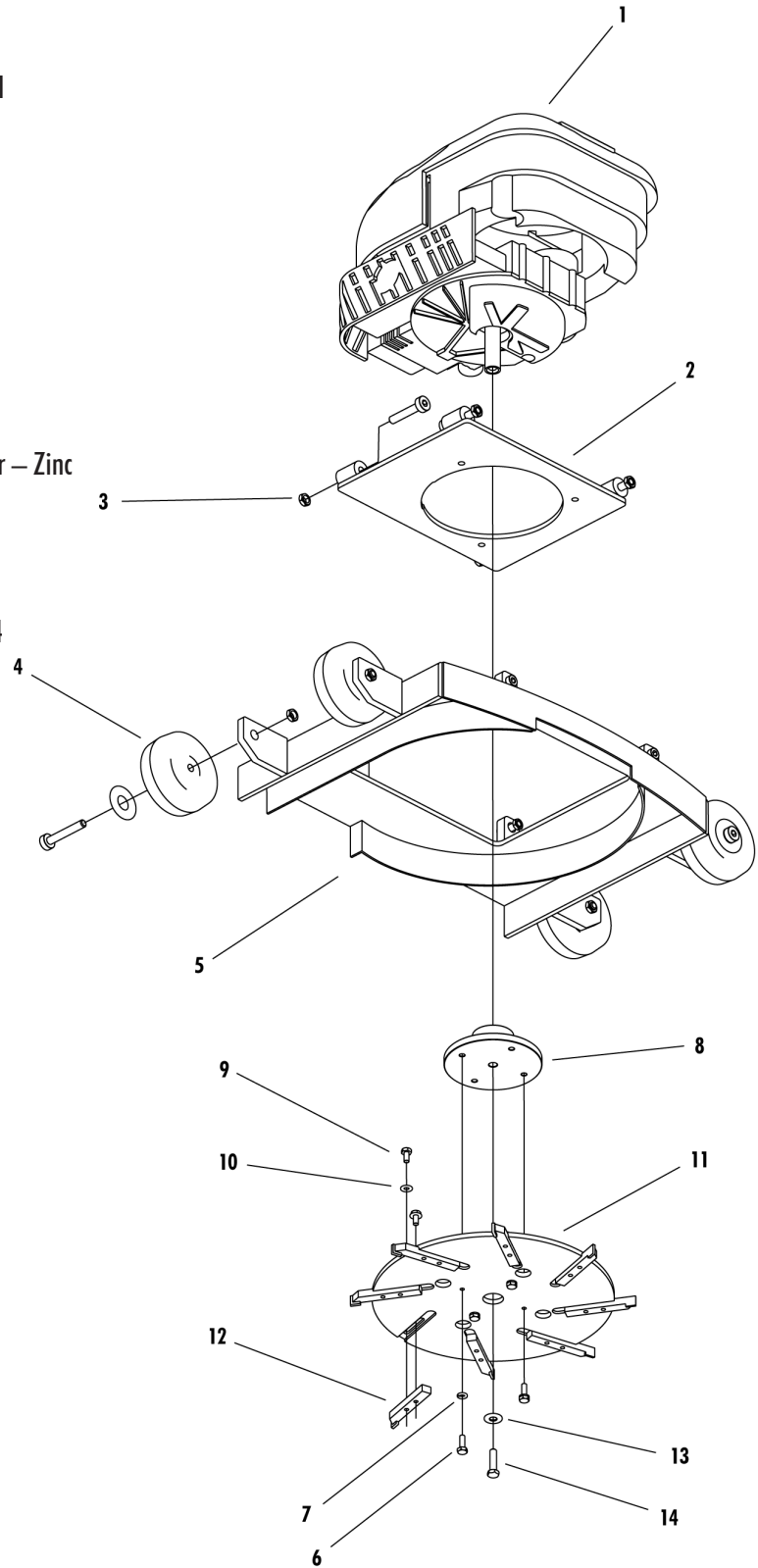
| Ref# | Part # | Description | OEM # |
|--------------|----------|----------------------------------|------------------|
| 1 | 55-5120 | Depth Selector Handle Knob | |
| 2 | 10-120 | Gear Shift Spring | |
| C18291600318 | | | |
| 3 | 55-5100 | Depth Selector Rod | |
| 4 | 55-5110 | Depth Selector Handle | |
| 5 | 50-51925 | Stripper Bolt 1/2 x 1-1/4 | |
| 6 | 49-30550 | Hex Hd Bolt 3/8 x 1-1/4 | 3/8 - 16 x 1-1/4 |
| 7 | 25-51855 | Rod End | VCW6 |
| 8 | 49-33600 | Hex Hd Nut 3/8 - 24 | |
| 9 | 49-37800 | Split Pin 1/4 x 1-1/2 | |
| 10 | 49-19035 | Grease Fitting 1/4 - 28 Straight | |
| 11 | 49-33500 | Locknut - Nylon 3/8 - 16 | |
| 12 | 49-36300 | Flat Washer 1/2 SAE | |
| 13 | 55-3300 | Depth Adjustment Rod | |
| 14 | 49-30050 | Stripper Bolt 3/8 x 3/8 | |
| 15 | 55-3210 | Engine Mount Connecting Bar | |
| 16 | 49-33555 | Hex Jam Nut 3/8-16 | |
| 17 | 49-33235 | Hex Jam Nut 5/16-18 | |
| 18 | 55-3100 | Engine Mount | |
| 19 | 5-3200 | Back Engine Mount Depth Adj. | |
| 20 | 55-3150 | Front Engine Mount Depth Adj. | |





Under Carriage

| Ref# | Part # | Description | OEM # |
|------|----------|---------------------------------|-------------------------|
| 1 | 55-500 | 6HP Intek Engine & Electric St. | 121607-0227-E1 |
| 2 | 55-3100 | Engine Mount | Model 5 |
| 3 | 49-33555 | Hex Jam Nut 3/8 -16 | |
| 4 | 55-1000 | Rubber Wheel 4" | 100SRP |
| 5 | 55-3000 | Edger Base | Model 5 |
| 6 | 49-30200 | Hex Hd Cap Screw 1/4 x 3/4 | 1/4 - 20 x 3/4 |
| 7 | 49-36170 | Lock Washer 1/4 | |
| 8 | 50-51975 | Bottom Hub | |
| 9 | 49-30150 | Hex Hd. Bolt 1/4 x 1/2 | 1/4 - 20 x 1/2 |
| 10 | 49-36100 | Flat Washer 1/4 hole | 3/16 flat Washer - Zinc |
| 11 | 55-25355 | Bottom Plate 12" - 8 Blade | |
| 12 | 50-51760 | Edger Blade | |
| 13 | 49-36250 | Flat Washer 3/8 | |
| 14 | 49-30560 | Hex Hd Bolt 3/8 x 1 1/4 | 3/8 - 24 x 1 1/4 |



3

PARTS LIST

Gasoline Fuel System

| Ref# | Part # | Description | OEM # |
|------|----------|----------------------------------|----------------------|
| 1 | 55-4000 | Edger Handle | |
| 2 | 55-4500 | Safety Shut-off Bar | |
| 3 | 55-2000 | Pivot Stop | 92-5412 |
| 4 | 55-9010 | Throttle Cable | 93-4186 |
| 5 | 49-30245 | Hex Hd Bolt 1/4 x 1 1/2 | 1/4 - 20 x 1 1/2 HCS |
| 6 | 37-60120 | 1/4" Tube Clamp | GANGC2 766321 |
| 7 | 49-33200 | Locknut Nylon 1/4 - 20 | |
| 8 | 55-2050 | Brake Cable | 98-7147 |
| 9 | 55-500 | 6 HP Intek Engine & Electric St. | 121607-0227-E1 |

