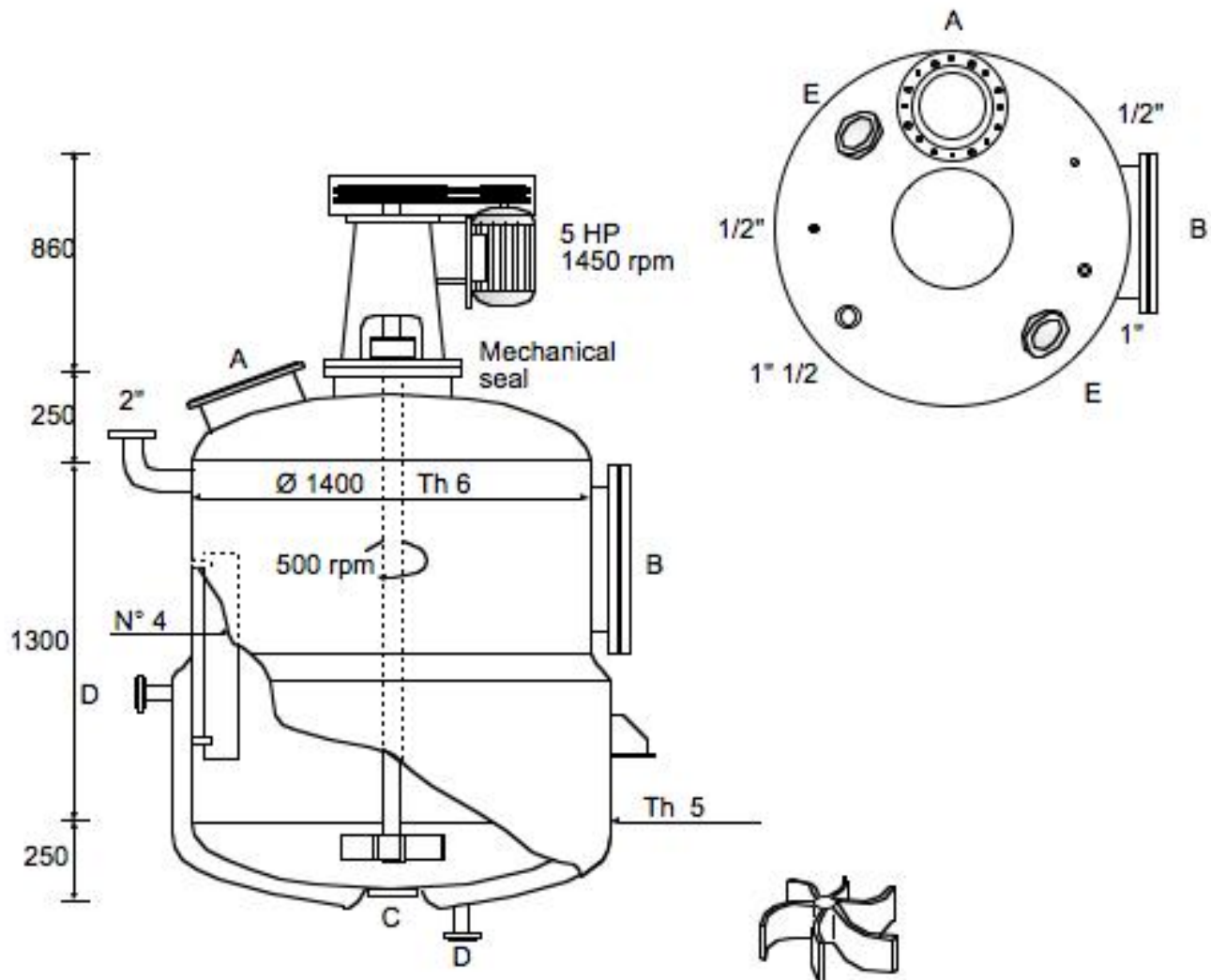


COPRINOX

AGITATED VESSEL

Code n° RAJC 025 1064

Location ref: 98 A2

CAPACITY LITERS 2.500

SHELL SIDE

JACKET/COIL SIDE

Design Pressure KG/cm²
Design Temperature °C
Material

Vac.

2

AISI 304

133

Carbon Steel

ANCC or ISPESL certification: CO 44847Availability in stock n° 01 unitsMANUFACTURER: TERMOCHIMICA USED
 USED RECONDITIONED
 UNUSED

NOZZLE DIMENSIONS

Pos	Service	Size inch.
A	Man hole	12"
B	Man hole	16"
C	Product outlet	3"
D	Heating medium in-out	1"1/4
E	Sight glass	6"

NOTE

WEIGHT (approx) Kg _____