

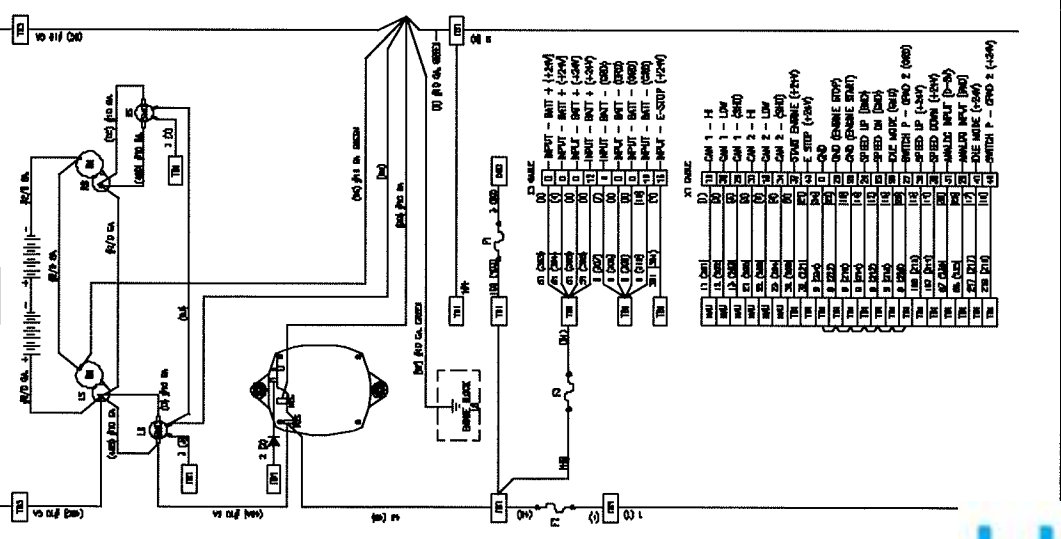
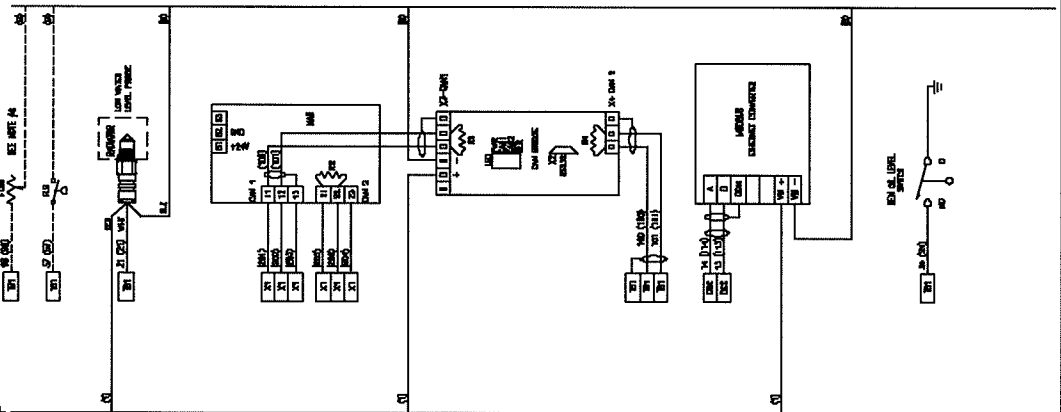
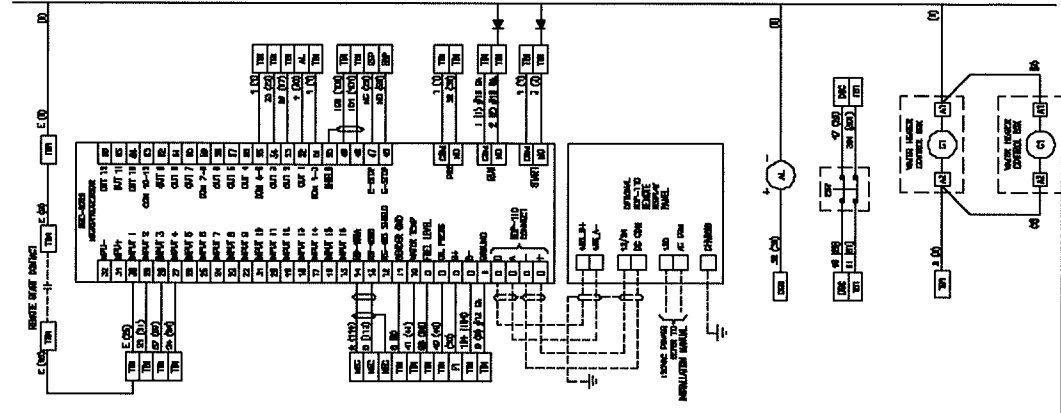
Customer	BMW GENSEI
Project	1030/1206
Title	MTU 20V4000
Scale	DIMENSIONAL LAYOUT
Design	NTS
Drawn	AN
Date Drawn	16-JUN-11
Sheet	1 OF 1
Drawing Number	8112-6196-000-001
Rev.	

- LEADS
- 41. MAIN
  - 42. CONTROL
  - 43. POWER
  - 44. SIGNAL
  - 45. ELECTRIC CONTROL
  - 46. ELECTRIC CONTROL
  - 47. ELECTRIC CONTROL
  - 48. ELECTRIC CONTROL
  - 49. ELECTRIC CONTROL
  - 50. ELECTRIC CONTROL
  - 51. ELECTRIC CONTROL
  - 52. ELECTRIC CONTROL
  - 53. ELECTRIC CONTROL
  - 54. ELECTRIC CONTROL
  - 55. ELECTRIC CONTROL
  - 56. ELECTRIC CONTROL
  - 57. ELECTRIC CONTROL
  - 58. ELECTRIC CONTROL
  - 59. ELECTRIC CONTROL
  - 60. ELECTRIC CONTROL
  - 61. ELECTRIC CONTROL
  - 62. ELECTRIC CONTROL
  - 63. ELECTRIC CONTROL
  - 64. ELECTRIC CONTROL
  - 65. ELECTRIC CONTROL
  - 66. ELECTRIC CONTROL
  - 67. ELECTRIC CONTROL
  - 68. ELECTRIC CONTROL
  - 69. ELECTRIC CONTROL
  - 70. ELECTRIC CONTROL
  - 71. ELECTRIC CONTROL
  - 72. ELECTRIC CONTROL
  - 73. ELECTRIC CONTROL
  - 74. ELECTRIC CONTROL
  - 75. ELECTRIC CONTROL
  - 76. ELECTRIC CONTROL
  - 77. ELECTRIC CONTROL
  - 78. ELECTRIC CONTROL
  - 79. ELECTRIC CONTROL
  - 80. ELECTRIC CONTROL
  - 81. ELECTRIC CONTROL
  - 82. ELECTRIC CONTROL
  - 83. ELECTRIC CONTROL
  - 84. ELECTRIC CONTROL
  - 85. ELECTRIC CONTROL
  - 86. ELECTRIC CONTROL
  - 87. ELECTRIC CONTROL
  - 88. ELECTRIC CONTROL
  - 89. ELECTRIC CONTROL
  - 90. ELECTRIC CONTROL
  - 91. ELECTRIC CONTROL
  - 92. ELECTRIC CONTROL
  - 93. ELECTRIC CONTROL
  - 94. ELECTRIC CONTROL
  - 95. ELECTRIC CONTROL
  - 96. ELECTRIC CONTROL
  - 97. ELECTRIC CONTROL
  - 98. ELECTRIC CONTROL
  - 99. ELECTRIC CONTROL
  - 100. ELECTRIC CONTROL

- REF
1. SEE SHEET 101 FOR MOTOR CONNECTIONS
  2. CHECK ALL WIRING FOR CORRECTNESS
  3. CHECK ALL WIRING FOR PROPER GROUNDING
  4. CHECK ALL WIRING FOR PROPER LABELING
  5. CHECK ALL WIRING FOR PROPER IDENTIFICATION
  6. CHECK ALL WIRING FOR PROPER IDENTIFICATION
  7. CHECK ALL WIRING FOR PROPER IDENTIFICATION
  8. CHECK ALL WIRING FOR PROPER IDENTIFICATION
  9. CHECK ALL WIRING FOR PROPER IDENTIFICATION
  10. CHECK ALL WIRING FOR PROPER IDENTIFICATION

**SPECIAL NOTE\*\***  
 THIS DRAWING IS FOR THE  
 CONTROL PANEL FOR THE  
 DRIVE UNIT AND IS NOT TO BE  
 USED FOR ANY OTHER PURPOSES  
 WITHOUT THE WRITTEN CONSENT  
 OF THE ENGINEER.

**DC DIAGRAM**  
 DRAWN BY: LBJ  
 SHEET: 1 OF 2  
**819-M-23524**

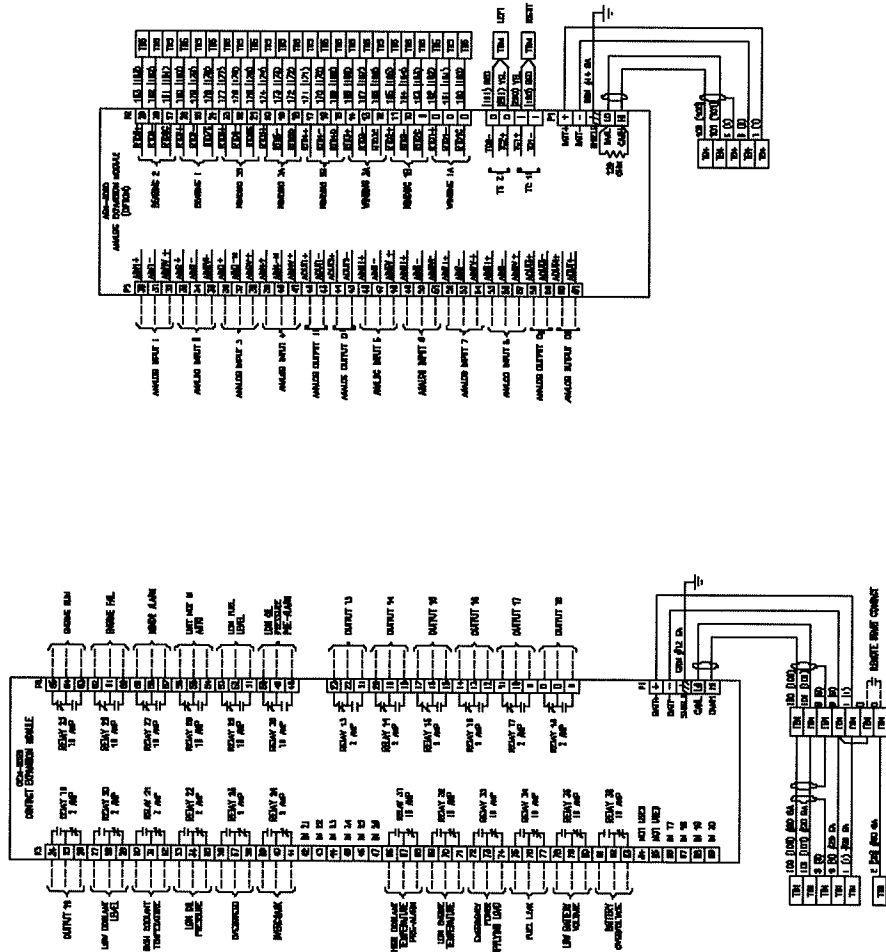


Customer: 3MW GENSET  
 Project: 1030/1206  
 Title: DC DIAGRAM  
 Scale: NTS  
 Design: AN  
 Drawn: AN  
 Date: 16-JUN-11  
 Qty: 1  
 SHT: 1 OF 1  
 Rev: 100

Customer: 3MW GENSET  
 Project: 1030/1206  
 Title: DC DIAGRAM  
 Scale: NTS  
 Design: AN  
 Drawn: AN  
 Date: 16-JUN-11  
 Qty: 1  
 SHT: 1 OF 1  
 Rev: 100

Customer: 3MW GENSET  
 Project: 1030/1206  
 Title: DC DIAGRAM  
 Scale: NTS  
 Design: AN  
 Drawn: AN  
 Date: 16-JUN-11  
 Qty: 1  
 SHT: 1 OF 1  
 Rev: 100

HANDY BOX



REV	REVISION DESCRIPTION	DATE
1		

**SPECIAL NOTES:**  
 1. WIRE AWG SIZE  
 2. WIRE COLOR  
 3. WIRE LENGTH  
 4. WIRE TYPE  
 5. WIRE BUNDLE SIZE  
 6. WIRE BUNDLE COLOR  
 7. WIRE BUNDLE LABEL  
 8. WIRE BUNDLE MARKING  
 9. WIRE BUNDLE IDENTIFICATION  
 10. WIRE BUNDLE SECURITY

**DC DIAGRAM**

DATE: 4-28-11  
 DRAWN BY: LED  
 CHECKED BY: E-SEE  
 SHEET 2 OF 2

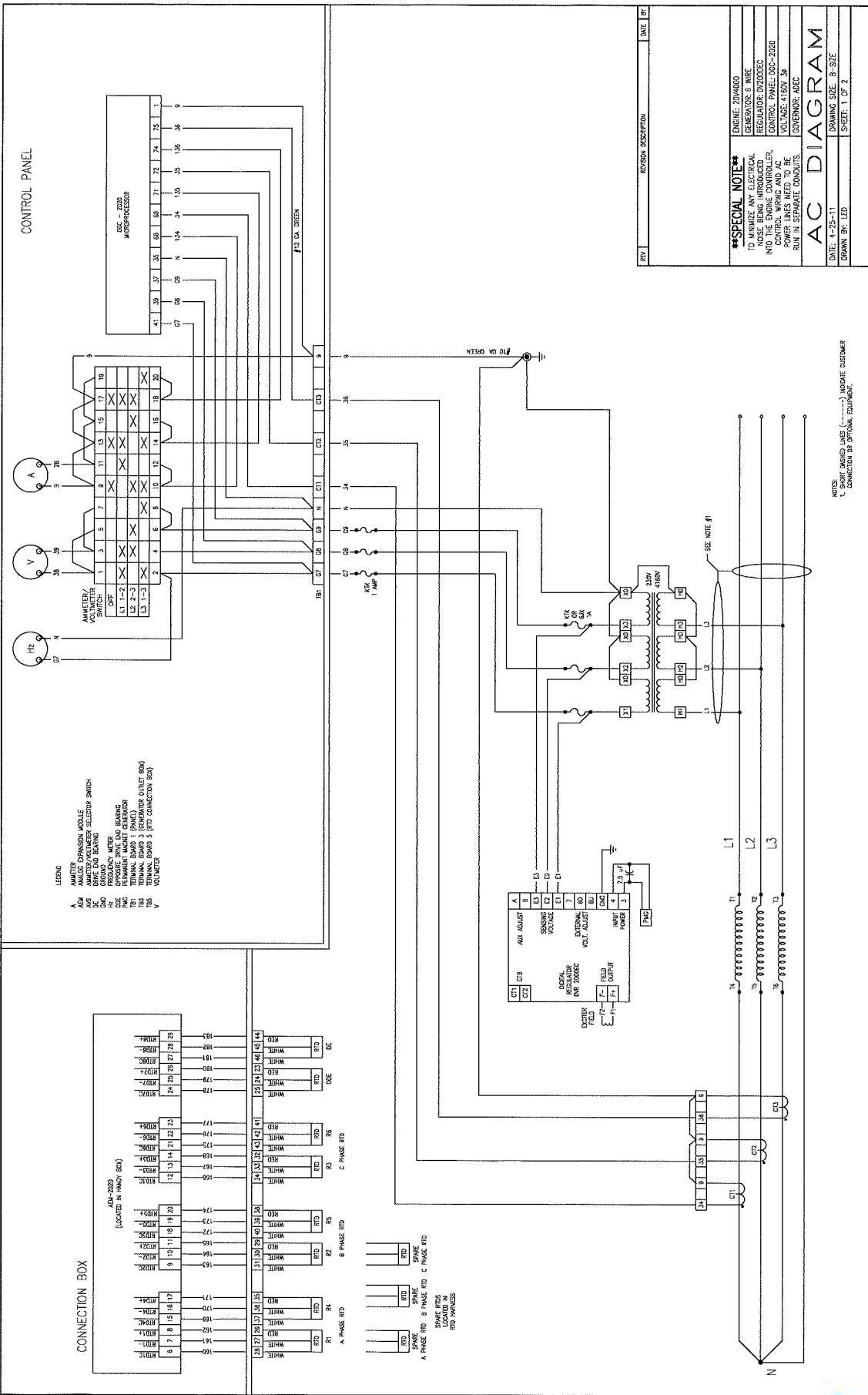
Customer: **BMW GENSET**  
 Project: **1030/1206**  
 Title: **MTU 20V4000**  
 Scale: **NTS**  
 Design: **AN** Drawn: **AN** Date Drawn: **16-JUN-11**

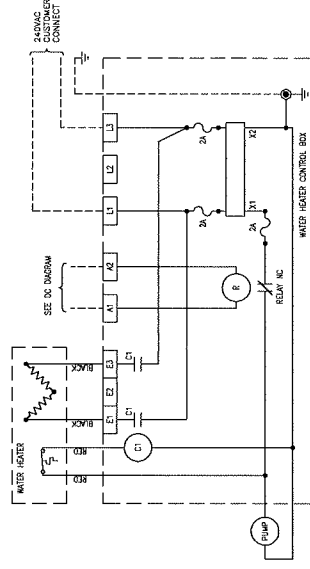
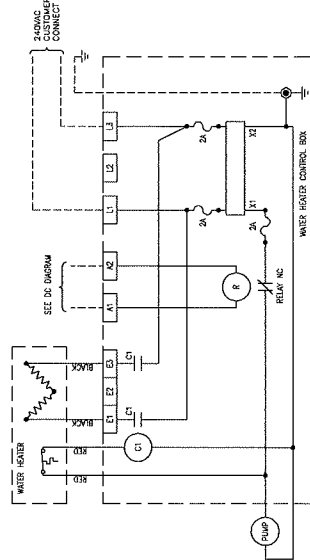
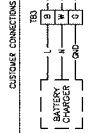
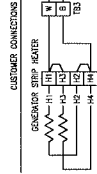
W/Of: **CH**  
 Reference Drawing:  
 WT:  
 S/N:  
 Drawing Number: **Rev**  
 Date: **16-JUN-11**

Information included in this drawing is proprietary and is not to be reproduced, distributed or disclosed except as authorized by the manufacturer in writing by **VATECH INC. POWER SYSTEMS**









REV	REVISION DESCRIPTION	DATE
<b>**SPECIAL NOTE**</b> TO MINIMIZE ANY ELECTRICAL NOISE BEING INTRODUCED IN THE CONTROL WIRING AND AC POWER LINES NEED TO BE RUN IN SEPARATE CONDUITS.		
<b>AC DIAGRAM</b>		
ENGINE: 20V4000 GENERATOR & WIRE REGULATOR: OXP00000 CONTROL PANEL: DCS-2020 VOLTAGE: 4160V 3P GOVERNOR: A025		
DATE: 4-25-11 DRAWING SIZE: B-SIZE DRAWN BY: LED		
SHEET: 2 OF 2		

Customer	3MW GENSET
Project	1030/1206
Title	MTU 20V4000
Scale	AC DIAGRAM
Design:	NTS
Qty	1
SHT.	1 OF 1
Date Drawn:	16-JUN-11
Drawn:	AN
Rev.	
Reference Drawing	
WT:	
S/N:	
Drawing Number	
Rev.	

INFORMATION INCLUDED IN THIS DRAWING IS THE PROPERTY OF USP&E. IT IS NOT TO BE REPRODUCED, COPIED, DISTRIBUTED OR DISCLOSED EXCEPT AS SPECIFICALLY AUTHORIZED IN WRITING BY WATERKIDS POWER SYSTEMS.