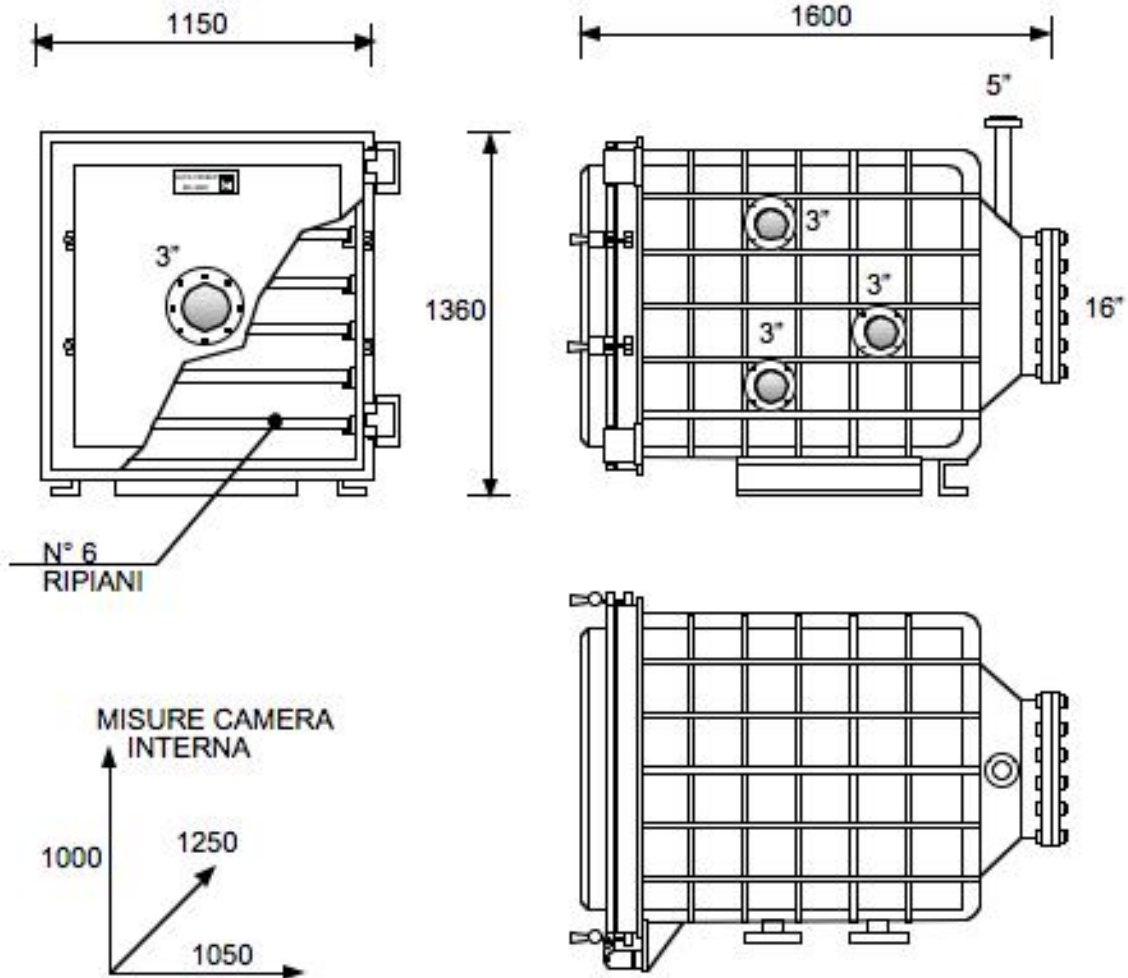


COPRINOX

DRYER

Code n° DR 012 0071

Location ref: 95 G2

CAPACITY LITERS 1200

SHELL SIDE

JACKET/COIL SIDE

Design Pressure KG/cm2
Design Temperature °C
Material

DRYER TYPE: Impianto di essiccazione sottovuoto

ANCC or ISPEL certification: **NOT**

Drive HP: _____ rpm: _____

MANUFACTURER : _____

 USED
 USED RECONDITIONED
 UNUSED

WEIGHT (approx) Kg _____

NOZZLE DIMENSIONS

Pos	Service	Size inch.
A		
B		
C		
D		
E		

NOTE N° 6 Ripiani 100 x 1100 Sp 40 in alluminio