

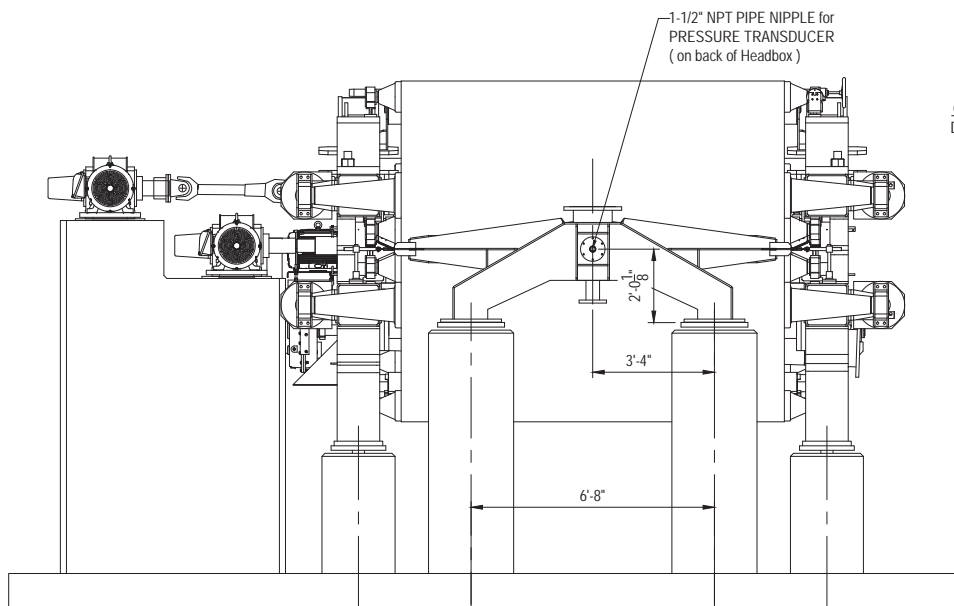
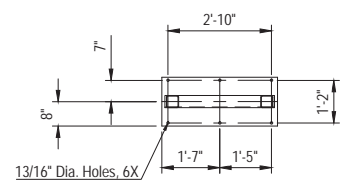
**Drawing Review**

This review is for general compliance with the drawings and specifications. This review does not relieve the vendor of their responsibility for errors in design and detailing as detailed in their contract.

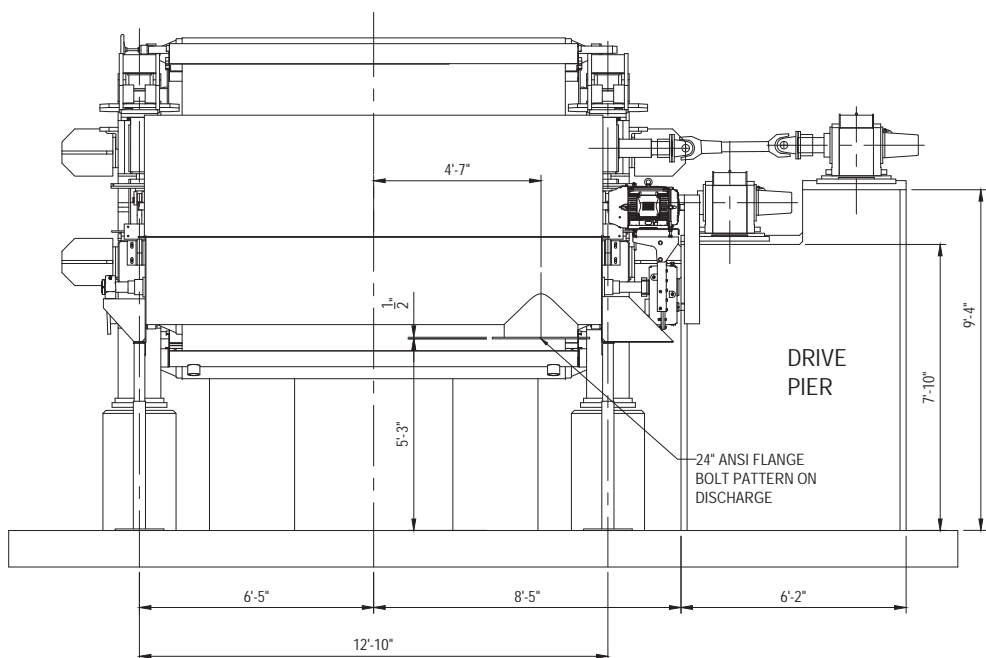
- Reviewed, no changes necessary
- Reviewed, modify as noted
- Reviewed, modify as noted and resubmit
- Other, as indicated on documents

Sign: \_\_\_\_\_

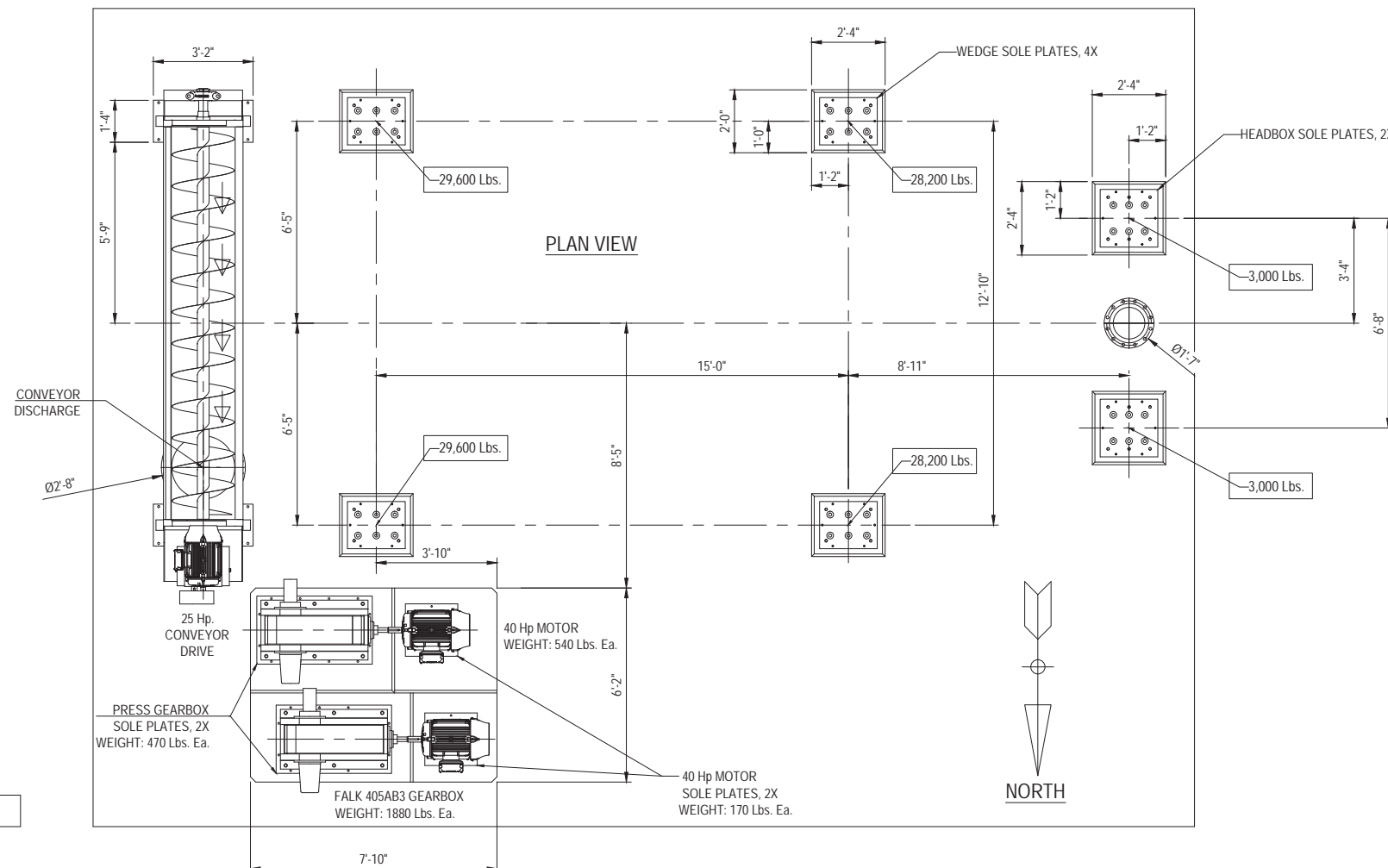
**CONVEYOR SUPPORT  
BASE PLATE, 2 PLACES**



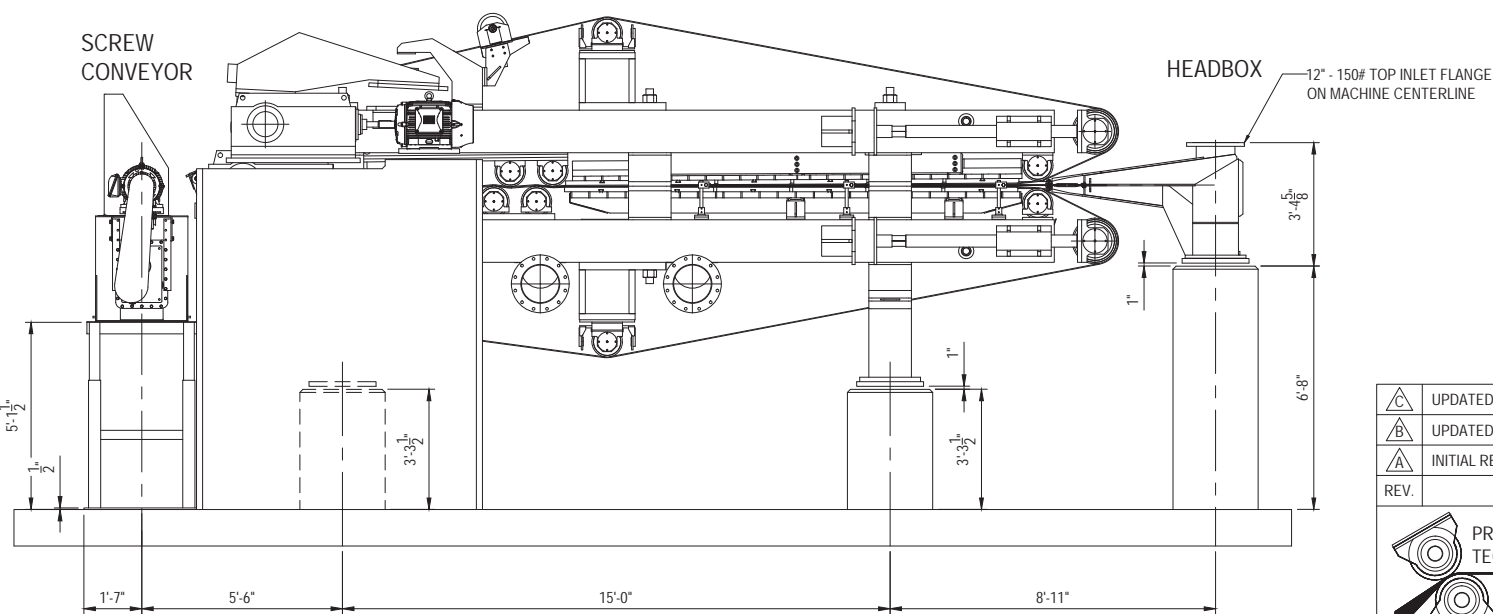
**REAR ELEVATION**



**FRONT ELEVATION**



**PLAN VIEW**



**SIDE ELEVATION**

FOUNDATION STATIC LOADS  
SHOWN IN THESE BOXES  
(RECOMMEND ADDING A MIN. OF  
25% FOR DYNAMIC LOADING)

**CERTIFIED COPY  
DATE: 10/30/17**

**CUSTOMER: COLUMBIA PULP  
TAG NUMBER: 340 - WP - 3447  
DESCRIPTION: WASH PRESS**

△	UPDATED DRAWING PER SUBMITTAL REVIEW: MARK CERTIFIED	10/30/2017	JPS
△	UPDATED DRAWING PER SUBMITTAL REVIEW	09/12/2017	JPS
△	INITIAL RELEASE FOR APPROVAL	09/12/2017	-
REV.	DETAILS	DATE	BY



Press Technologies  
P.O. Box 1106  
Arvada, CO 80001

Tel. (303) 456-9898  
Fax (303) 456-0637  
www.prestechnologies.com

**COLUMBIA PULP PROJECT**

**FOUNDATION PLAN  
120" WEDGE / PRESS**

SIZE	DRAWING NUMBER	REVISION
D	PTWL-120-1001	C
DRAWN BY	CHECKED BY	DATE
JPS	DB	09/12/2017
SCALE	SHEET NO.	
NA	1 OF 1	

ALL OR PART OF THIS DRAWING MAY CONTAIN INFORMATION PROPRIETARY TO PRESS TECHNOLOGIES AND SHALL NOT BE REPRODUCED NOR USED IN MANUFACTURING ANY EQUIPMENT WITHOUT THE WRITTEN PERMISSION OF PRESS TECHNOLOGIES. THE FURNISHING OF THIS DRAWING DOES NOT IMPLY ANY MANUFACTURING RIGHTS AND THE DRAWING REMAINS THE PROPERTY OF PRESS TECHNOLOGIES AND MAY BE RECALLED AT ANY TIME.