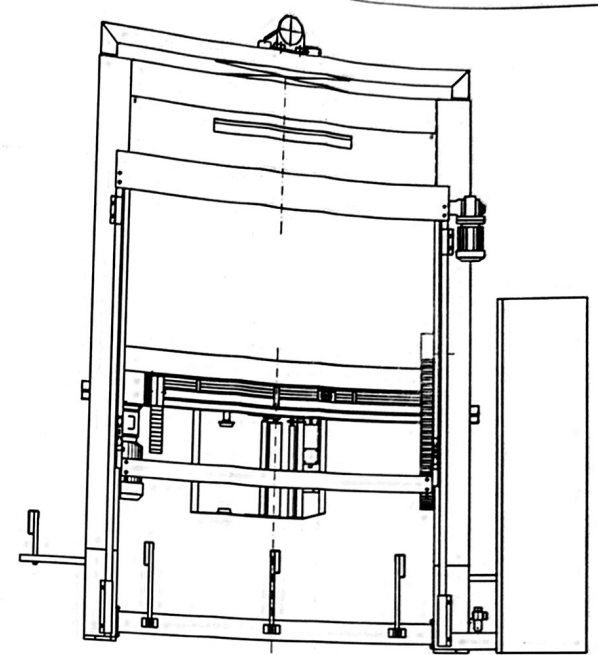
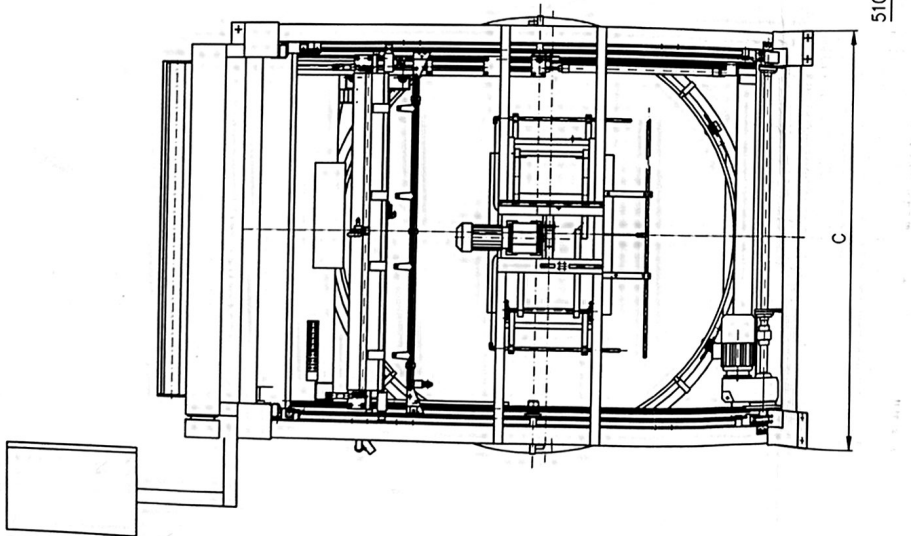
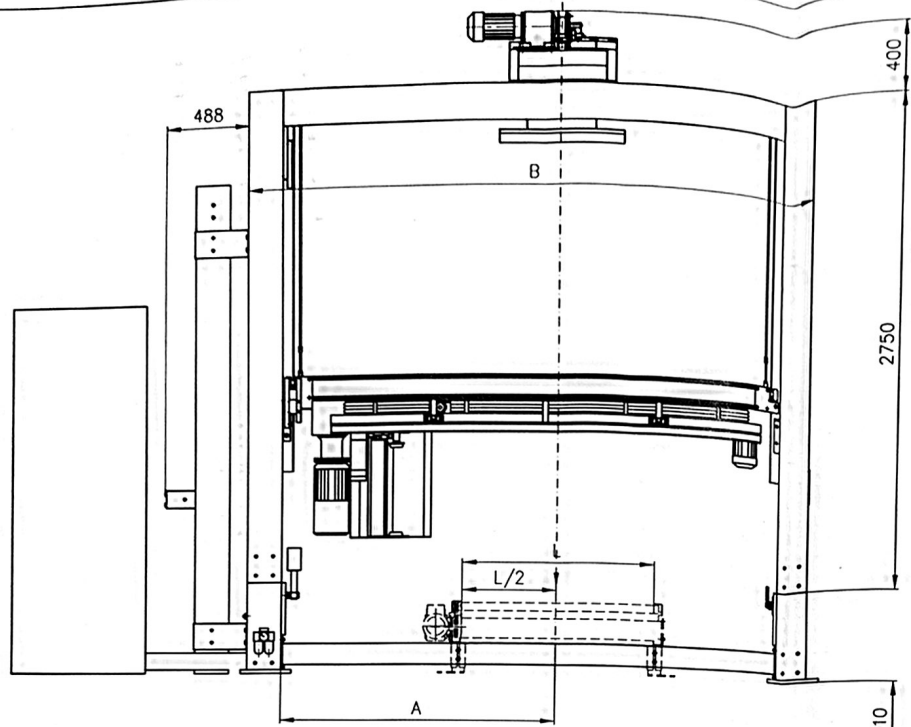


18.12.97

	B	C	L	R
OCTOPUS 1600	2380	1180	2790	1340
OCTOPUS 2100	2880	1380	3290	1605

$h1+h2 \leq 1300 \Rightarrow H=2738$
 $h1+h2 > 1300 \Rightarrow H=2738+h1+h2-1300$
 $h1+h2 \text{ max } 3100$



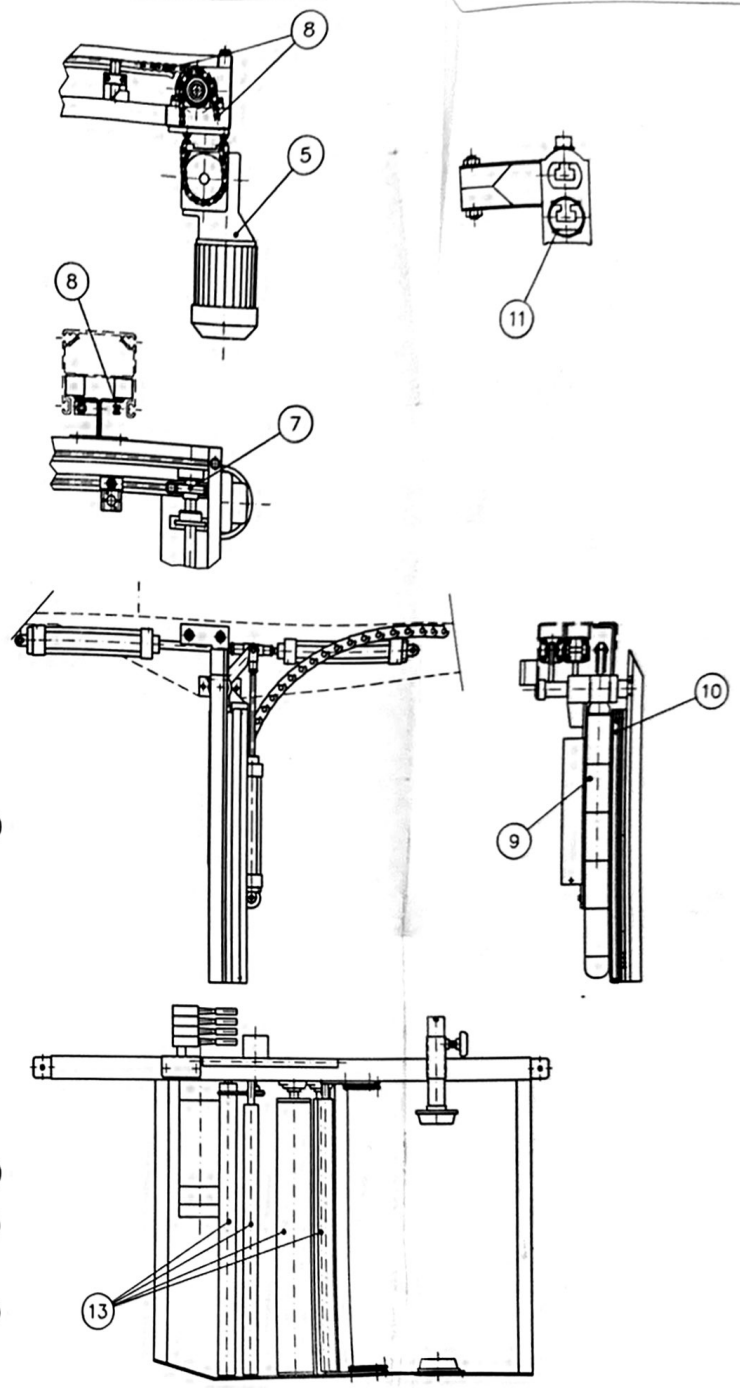
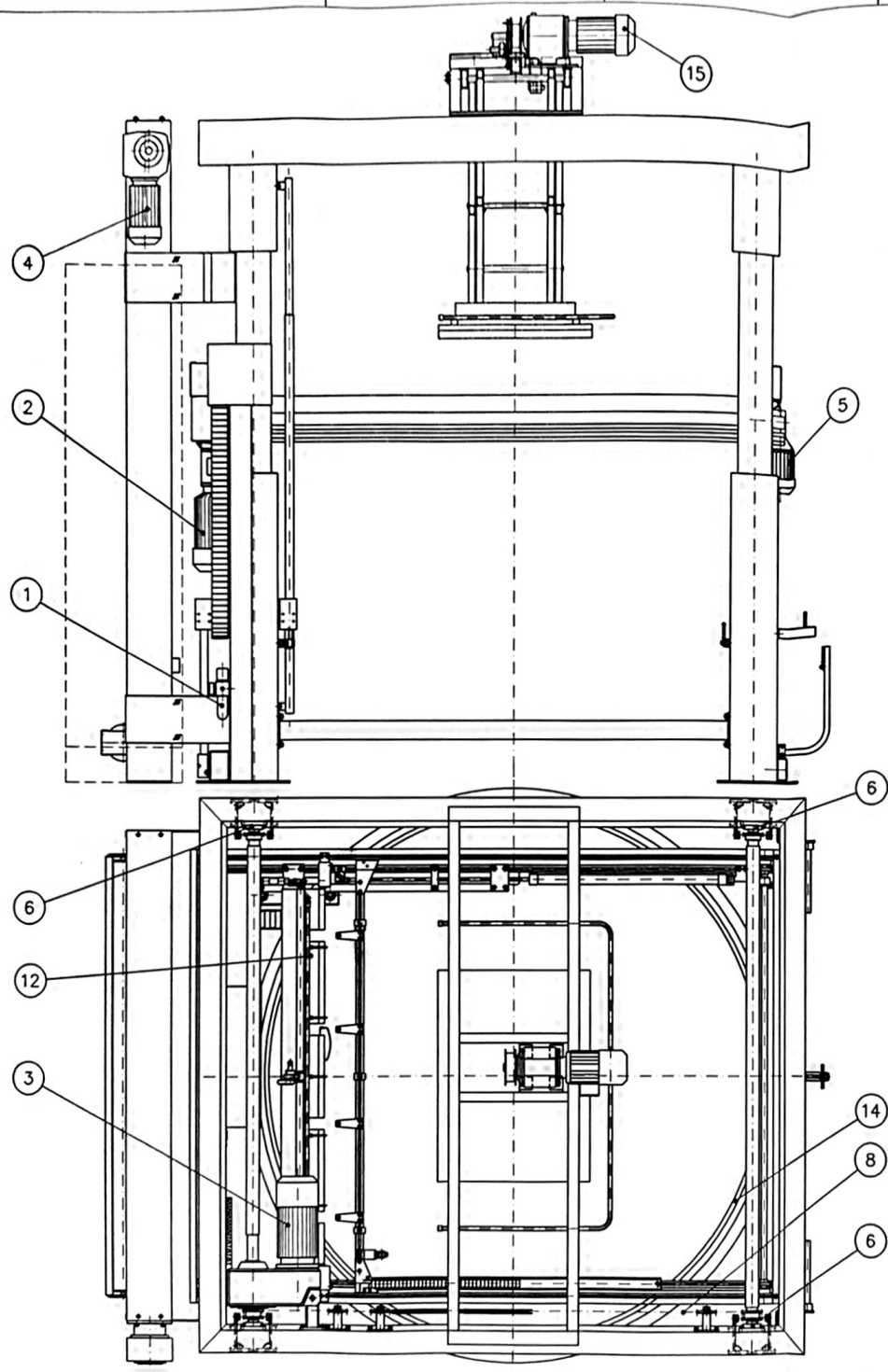
The document shall not be copied, reproduced, or disseminated in any form or by any means, electronic or mechanical, including photocopying, recording, or by any information storage and retrieval system, without the prior written permission of the contractor. The contractor shall be responsible for the accuracy of the information contained herein. The contractor shall be responsible for the accuracy of the information contained herein.

△

OCTOPUS	A	B	C
1800	1605	3270	2380
2300	1855	3770	2880
2800	2105	4270	3380

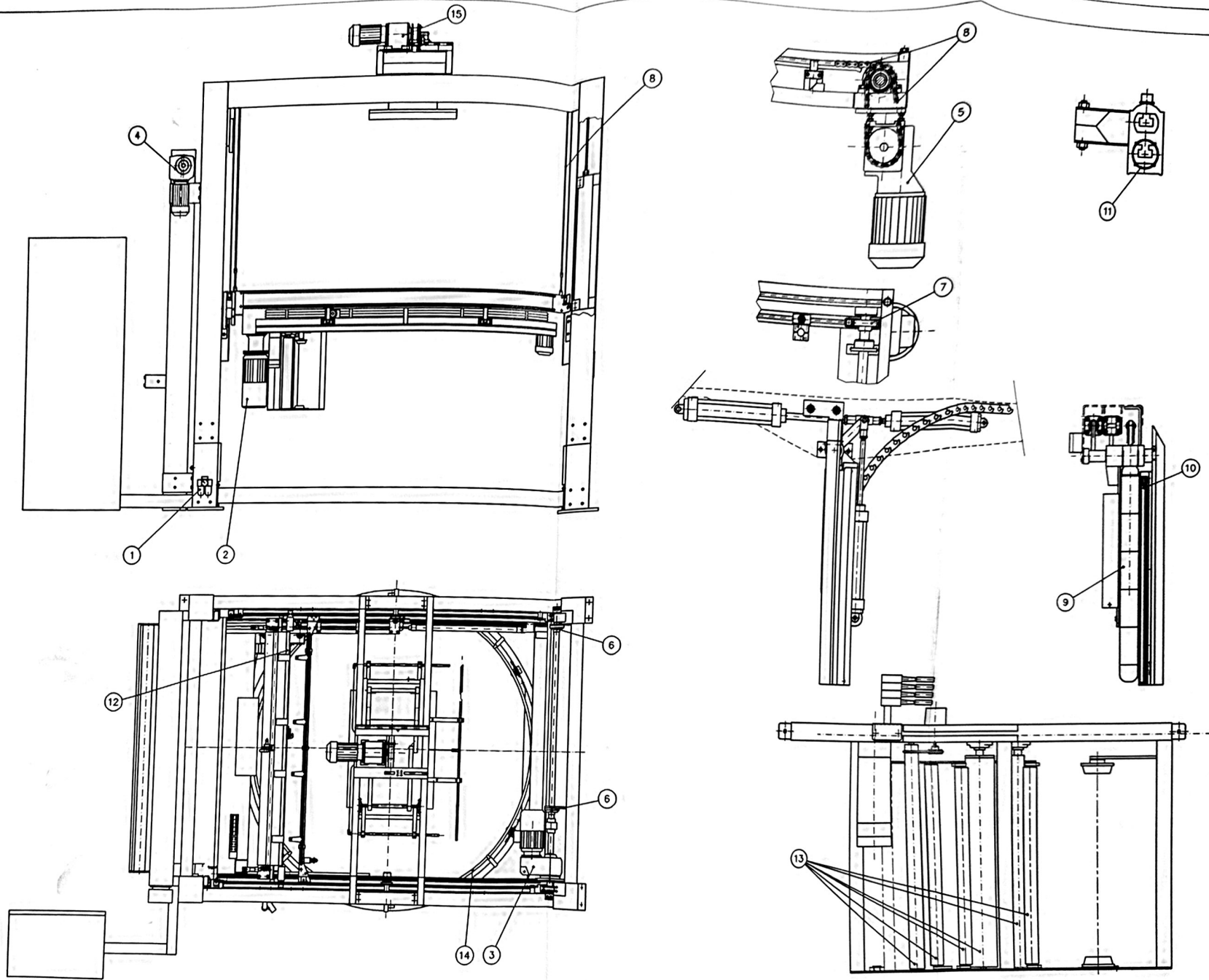
△ 18.12.97

Design	Drawn	Assembly	Group	Checked	Appr.	Scale	120	RepL	Replaced
VJU	VJU								
HALOLA							Description		Date
OCTOPUS STEEL							1/0197		Draw.no
							01123600		



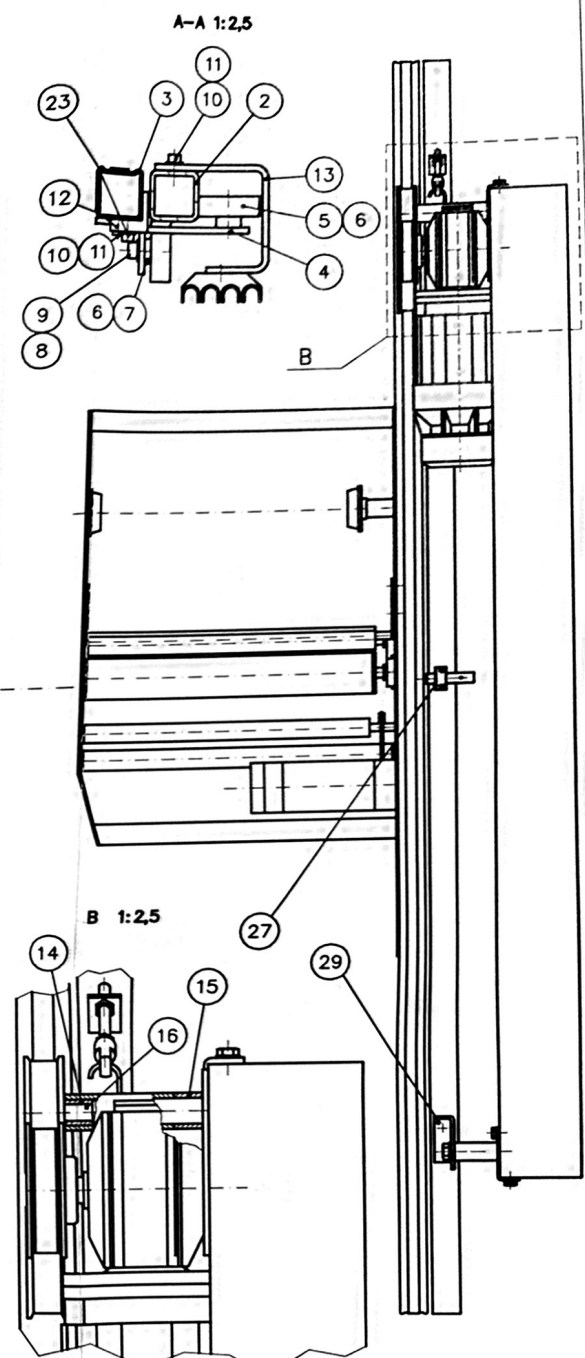
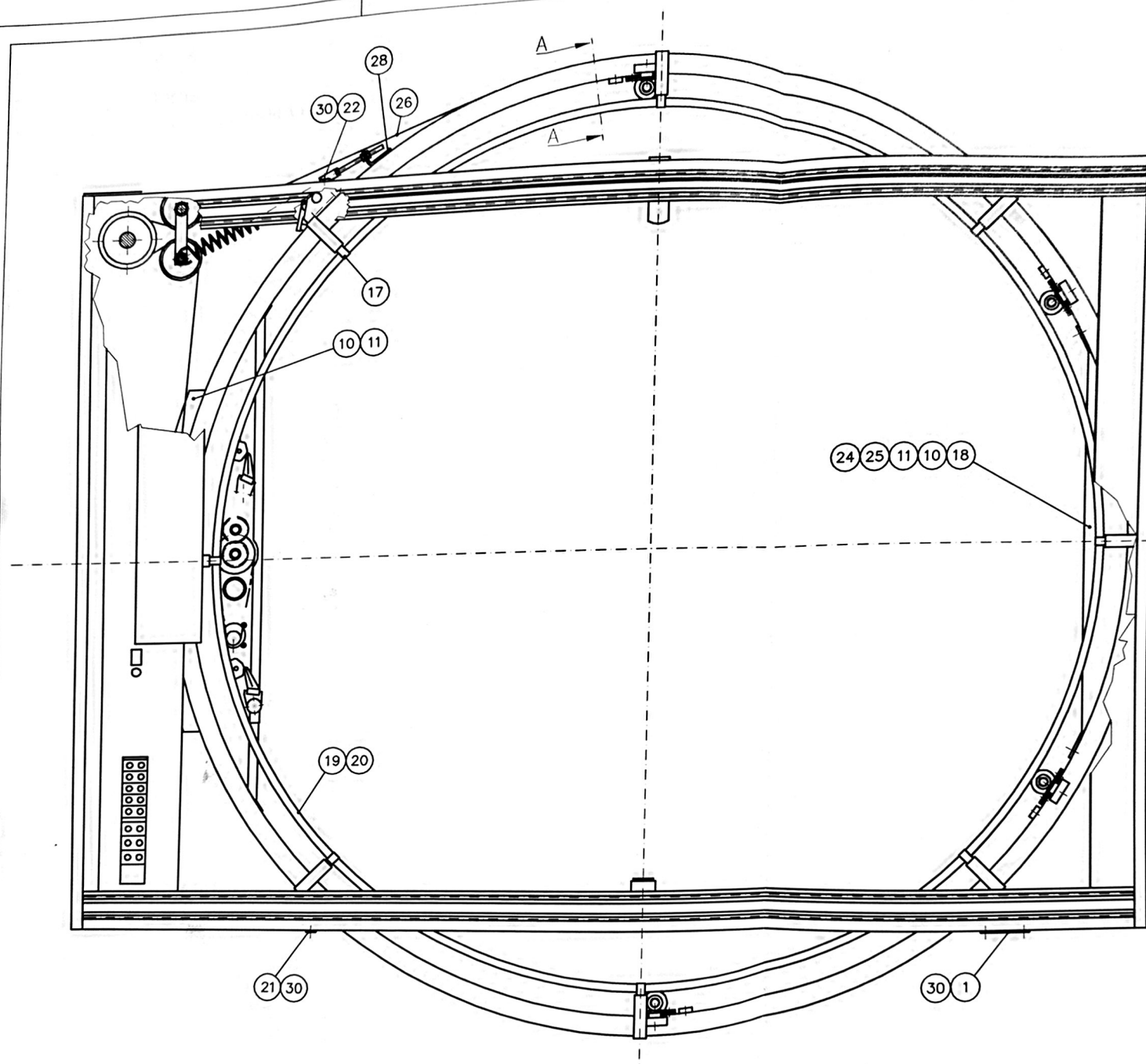
Drawn	Checked	Appr.	Scale	Sheet	Revised
			1:1	1	1
Description:				Number:	Date:
HALOILA				OCTOPUS	15.1.2005
Maintenance				Drawing:	01722900

This document shall not be copied, reproduced, or transmitted in any form or by any means, electronic, mechanical, photocopying, recording, or by any information storage and retrieval system, without our written permission, and may be used for any unauthorized purpose. All rights reserved. © 1995 HALILOLA PS



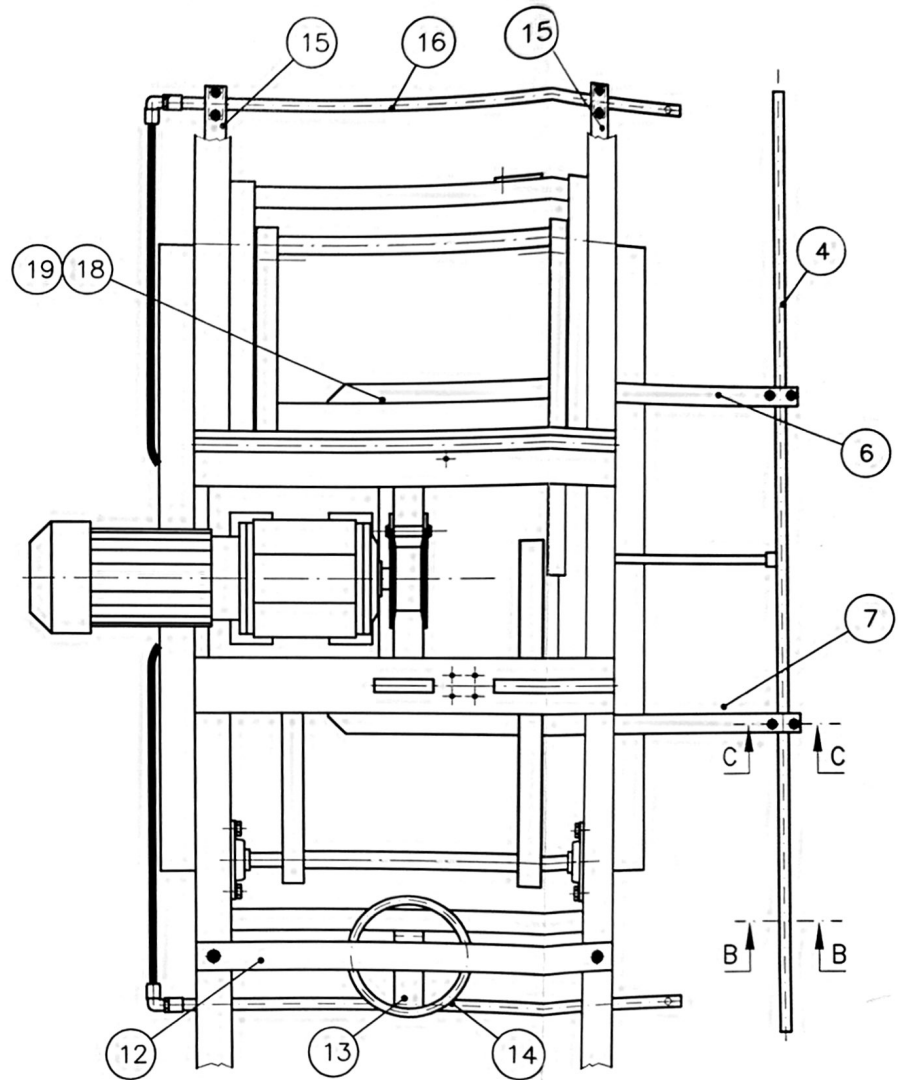
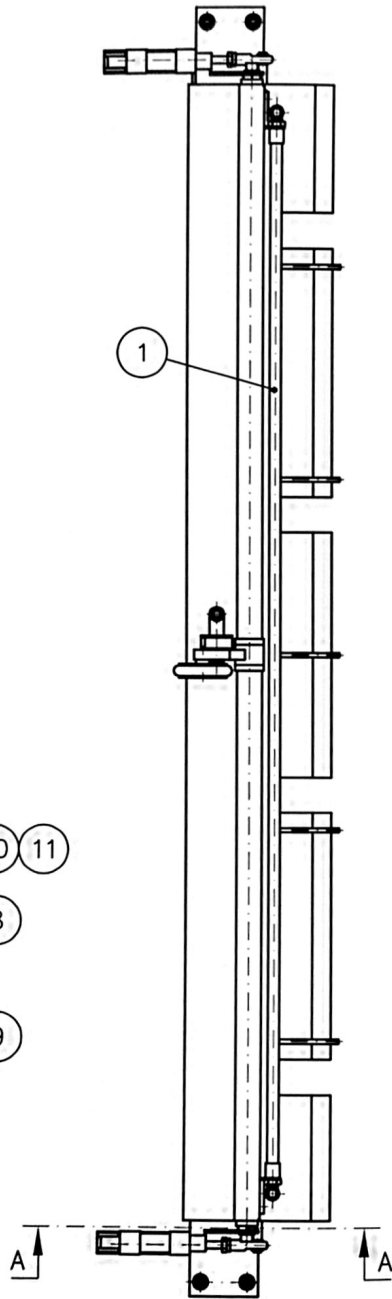
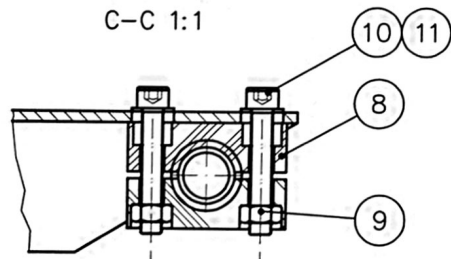
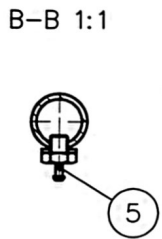
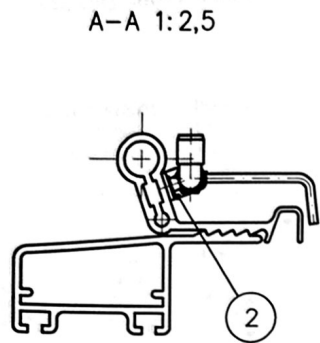
Design	Drawn	Assembly	Group	Checked	Appr.	Scale	Repl.	Replaced
YJU	YSU					1:20		
Description							Register	Date
OCTOPUS STEEL								19.5.2000
MAINTENANCE							Drawn: c	07723000

This document is not to be used without our written permission, and is intended to be used only for the specific purpose for which it was prepared. It is not to be used for any other purpose without our written permission. © V. M. Hiltner, AB

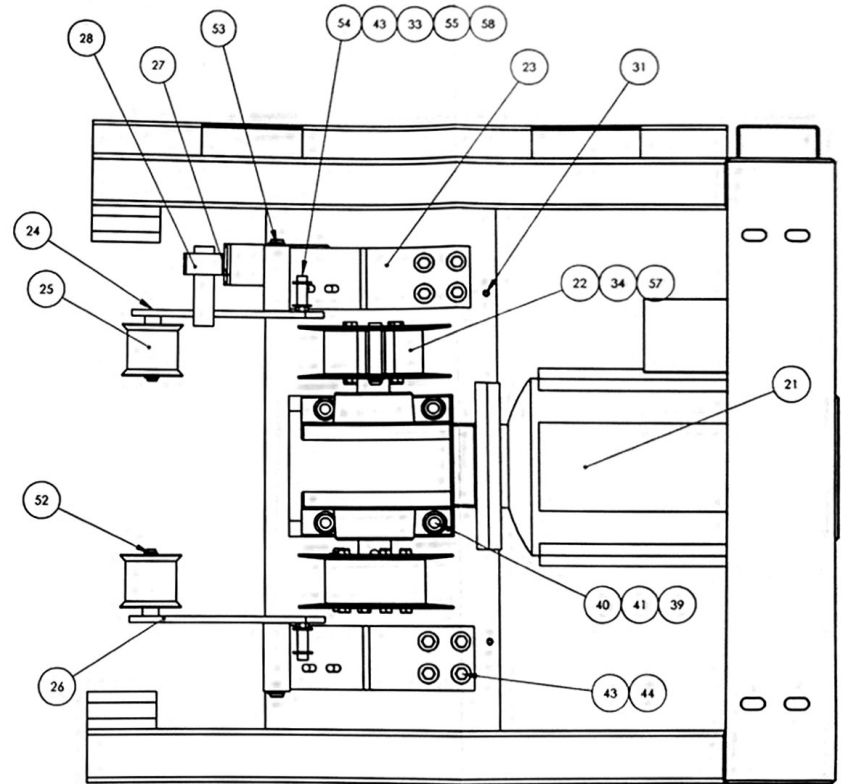
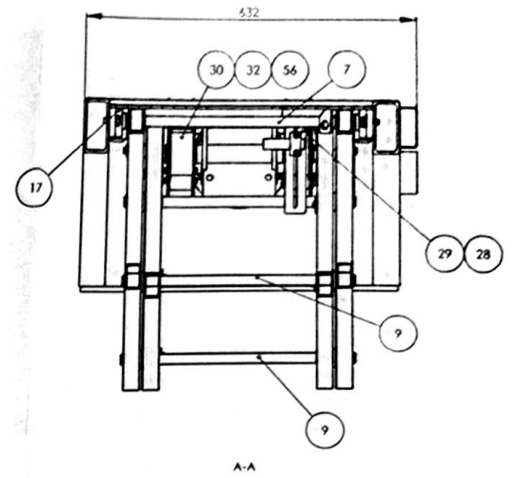
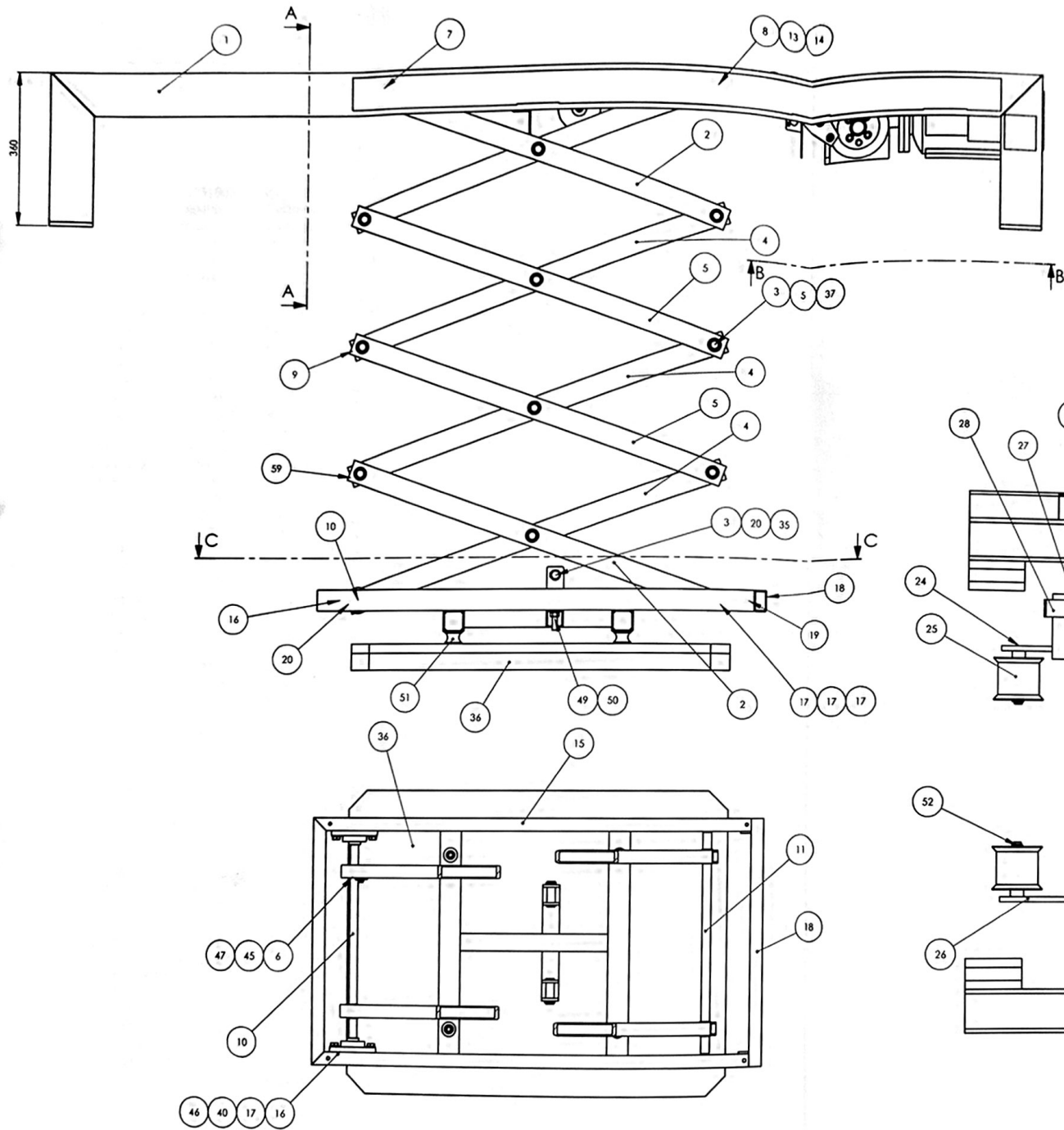


Drawn To	Drawn To	Assembly	Group	Checked	Appr.	Scale	Sheet	Revised
		01988500				1:5		
HALOLA							STEEL RING SET	
							Date: 02.07.02	Drawn by: 01989500

This document must not be copied, reproduced, or disseminated without the written consent of HALOILA AB. The contents thereof must not be imparted to a third party nor be used for any unauthorized purpose. Violations will be prosecuted by M. HALOILA AB.



Design: VJU	Drawn: VJU	Assembly: -	Group: 0217	Checked: -	Appr: -	Scale: 1:5	Repl: -	Replaced: -
Description: TOP SHEET BLOWER							Register:	Date: 01.07.94
HALOILA							Drawn: a	00550600
01.07.94								



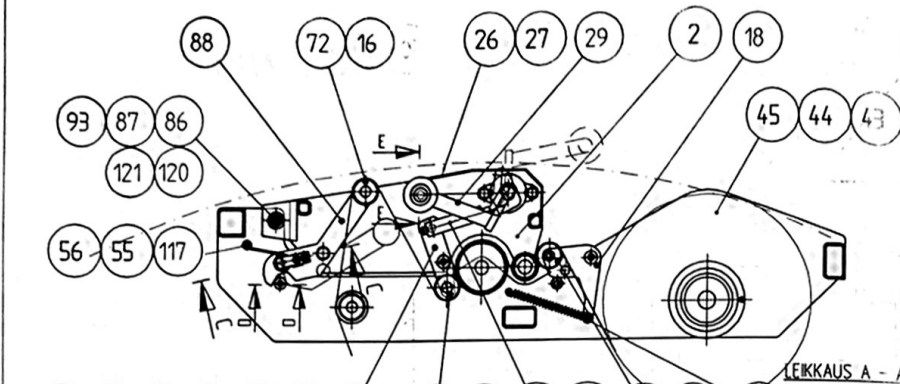
This document is the property of HALILA. It is not to be reproduced, stored in a retrieval system, or transmitted in any form or by any means, electronic, mechanical, photocopying, recording, or by any information storage and retrieval system, without the prior written permission of HALILA.

C-C

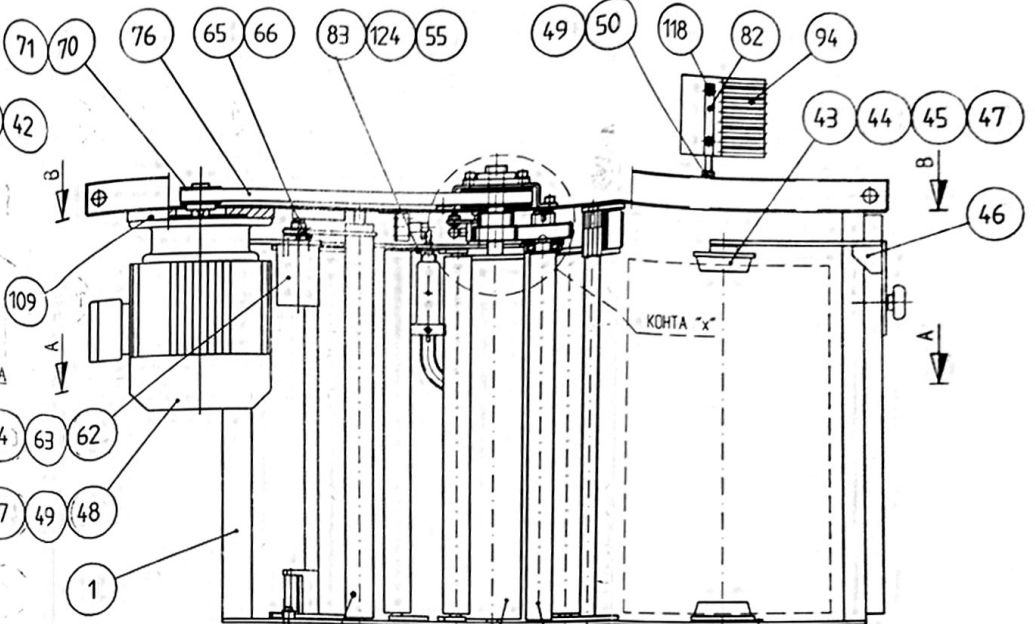
B-B (1 : 2.5)

Revizija	Drawn	Checked	Approved	Scale	Sheet	Total	Date	Project
1	ML			1:5	1	15	29.08.01	LOAD STABILIZER
								01787600
								01787600

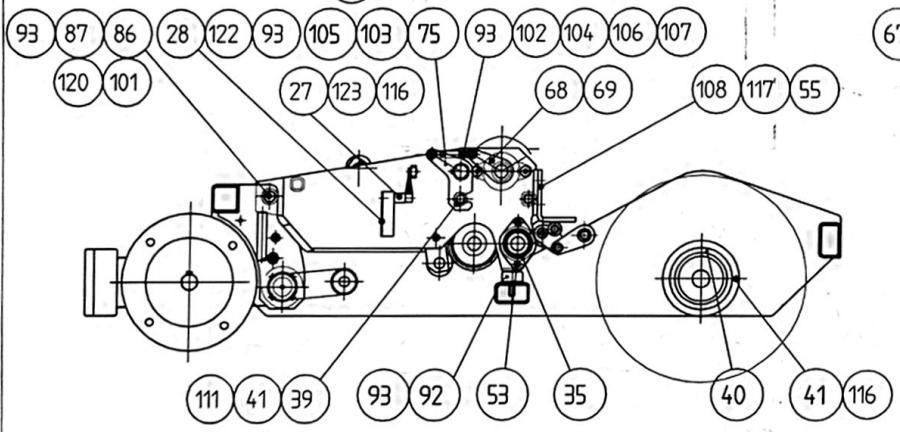
124. ammattia ja sen ohjeita.
 Jos joku osasta on puuttava, on
 se vaihdettava. Jos osasta on
 puuttava, on se vaihdettava. Jos
 osasta on puuttava, on se vaihdettava.
 O. M. HALILA AB



LEIKKAUS A - A

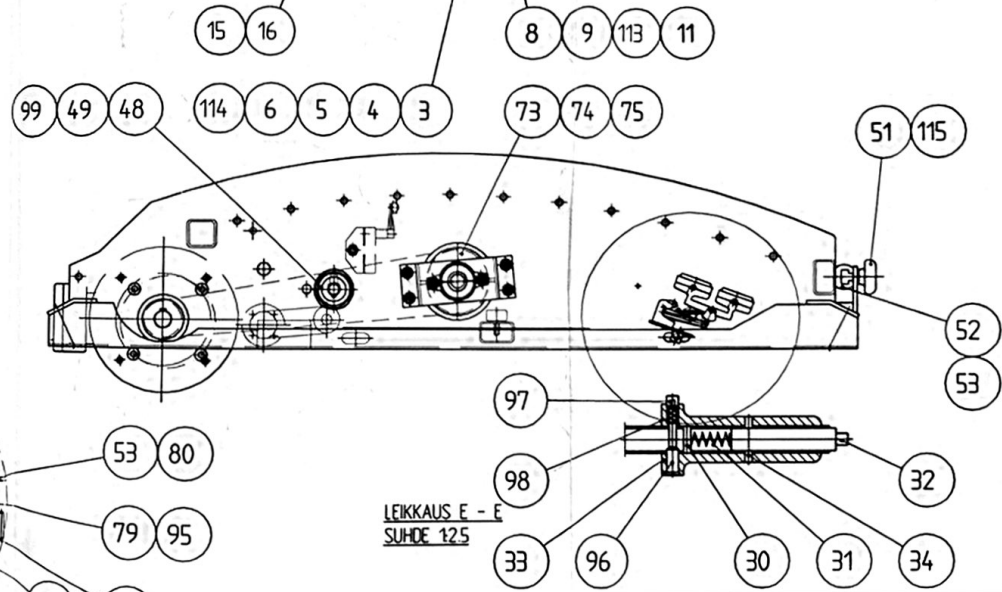


LEIKKAUS B - B



LEIKKAUS C - C
SUHDE 12

LEIKKAUS D - D
SUHDE 11



LEIKKAUS E - E
SUHDE 125

KOHTA "X"
SUHDE 125

kuuvijärvi 36 kammasta

Sum. Tlo	Part. Tlo	Uitt.	Yhdist. no	Tark.	Myy.	Suhte	15	Käyttö no	01521100	Korjaus no	-
HALILA								Shakas	FILM DISTRIBUTOR	Paritus no	05.07.02
6 - LEGGED MACHINE								Part. no	01989200		