

BATCH WASTE WATER TREATMENT SYSTEM

Ver. BT2020



ENVIRO SOLUTIONS

A DIVISION OF LST INDUSTRIES L.L.C.

SALES@ENVIROSOLUTIONS.COM

1 210 696 6300

ES brand batch-type WWTS have many options and designs to meet your plant's unique needs. Bilingual touch screen PLC in English and Spanish standard. Filter press optional.

- ✓ SIMPLEX OR DUPLEX TANKS
- ✓ HEAVY METALS PRECIPITATION
- ✓ HEXAVALENT CHROME REDUCTION
- ✓ CYANIDE DESTRUCTION
- ✓ 400 TO 7840 GALLON BATCHES

WWW.ENVIROSOLUTIONS.COM



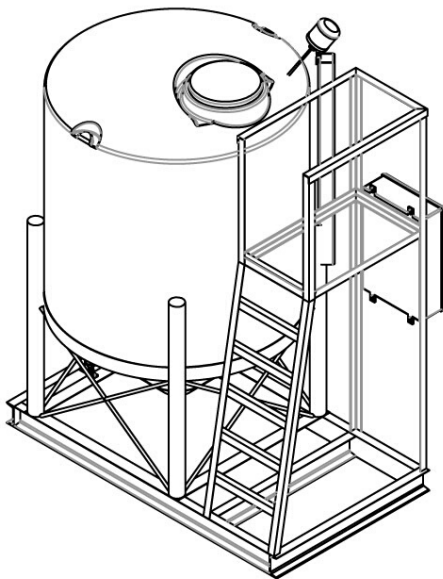
ENVIRO SOLUTIONS

625 HUMBLE AVE. | SAN ANTONIO, TX 78225 | USA
1 210 696 6300 | SALES@ENVIROSOLUTIONS.COM

Model	Gal. Cap.	GPM*
BT-0500	400	0.83 - 01.67
BT-1000	800	1.67 - 03.33
BT-1490	1192	2.48 - 04.97
BT-2500	2000	4.17 - 8.33
BT-3000	2400	5.00 - 10.00
BT-4900	3920	8.17 - 16.33

* Gallons per minute (GPM) based on 1 batch per 8 hour shift, and whether your system is a simplex or duplex reactor WWTS. Most processes allow for more than 1 batch per 8 hour shift.

For Contaminants: Heavy Metals Precipitation,
Hexavalent Chrome Reduction, Cyanide
Destruction, TSS, Oil, Grease, Inks/Dyes



Enviro Solutions Brand

Batch-Type WWTS Include:

Hi-Density Polyethylene Cone-Bottom Reactors

Modularized carbon steel frame

Touch screen master control panel

- Available in up to 8 languages.

PLC controlled chemical feed pumps

Air-operated diaphragm sludge pump

Centrifugal transfer pump

Electric or air-operated mixer

pH and ORP sensors



Options:

Integrated dual tank for collection, duplex

processing or sludge thickening

Custom sizes and designs available

Filter Press - Integrated or Separate

Your preference of electrical service

Your quote is application specific, and may have more or less items than shown on this brochure. Please contact us for pricing. For larger flows, see our brochure on flow-through systems.