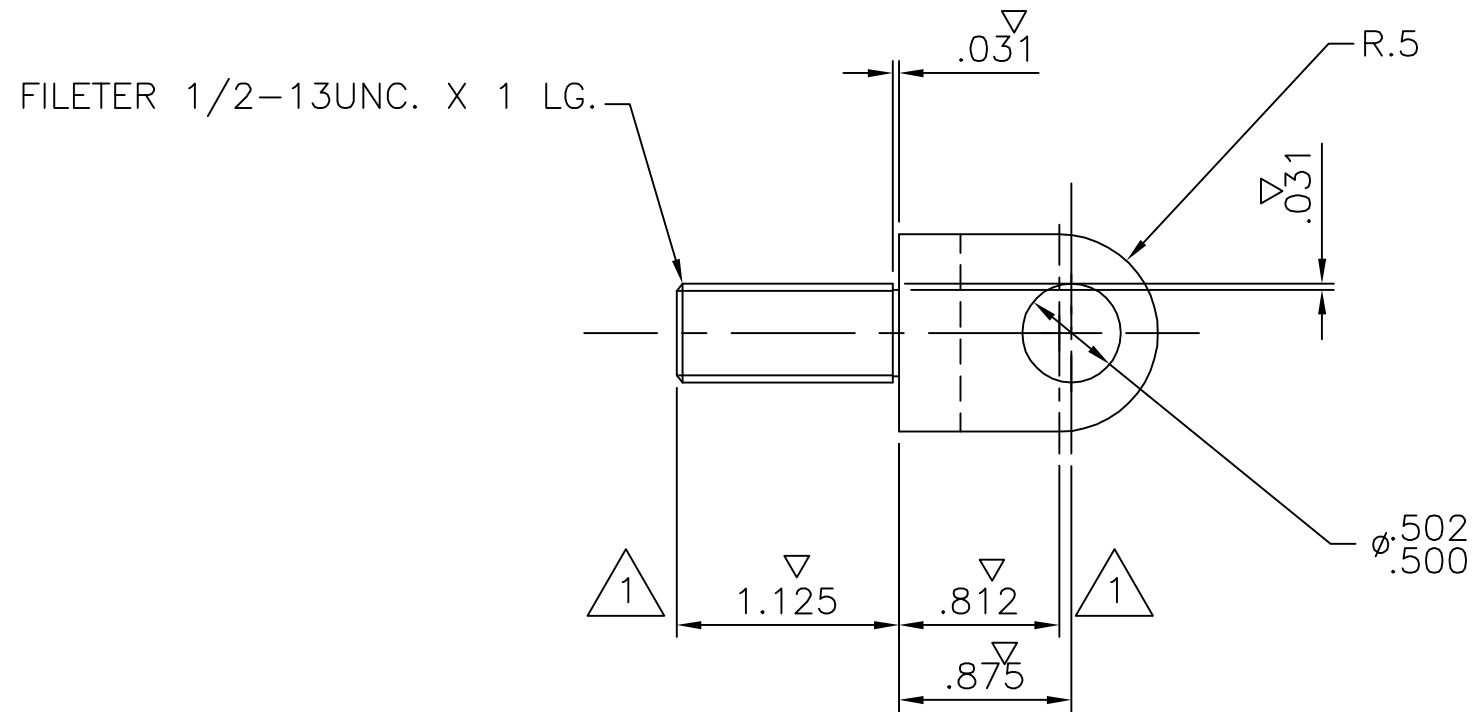
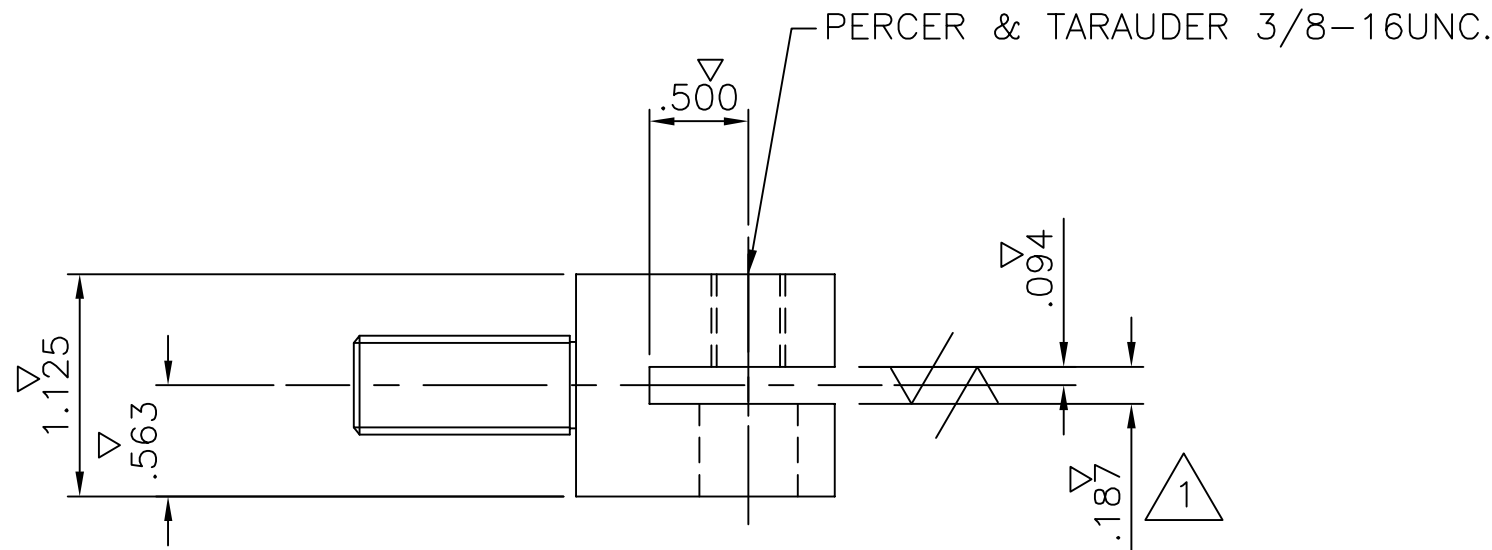


LISTE DES MATERIAUX  
BILL OF MATERIAL

ITEM	QTE QTY	DESCRIPTION	MATERIEL MATERIAL
1	1	BARRE 1 1/4 X 1 1/4 X 2.5	1020



USINER  
PARTOUT

NOTE:

ARRONDIR LES COINS VIFS

DATE	NOM NAME	APPR.	INIT.	REVISION	ZONE	NO REV.
2002-12-12	JEALAL	P.Y. CHARETTE		DIM .187 WAS .130, 1.125 WAS 1.000, DIM .812 ADDED		
SI NON SPECIFIEES / IF NOT SPECIFIED ( DIMENSIONS = MILLIMETRE / MILLIMETER )		SI NON SPECIFIEES / IF NOT SPECIFIED ( DIMENSIONS = POUCE / INCH )		CE DESSIN, PROPRIETE DE: GL&V/BLACK CLAWSON-KENNEDY PULP AND PAPER MACHINE GROUP INC. NE PEUT ETRE COPIE OU DISTRIBUE SANS AUTORISATION	THIS DRAWING IS THE PROPERTY OF: GL&V/BLACK CLAWSON-KENNEDY PULP AND PAPER MACHINE GROUP INC. AND MAY NOT BE COPIED OR DISTRIBUTED WITHOUT EXPRESS AUTHORIZATION.	
FABRICATION TOLERANCE	USINAGE / MACHINED TOLERANCE	FABRICATION TOLERANCE	USINAGE / MACHINED TOLERANCE	DATE	NOM/NAME	INIT.
± 1 0 A/TO 1000 ± 3 1000 A/TO +	▽ X.XXX ± 1.000 ▽ X.XXX ± 0.500 ▽ X.XXX ± 0.250 ▽ X.XXX ± 0.125	± .06 0 A/TO 36 ± .12 36 A/TO +	▽ X.XXX ± 0.040 ▽ X.XXX ± 0.020 ▽ X.XXX ± 0.010 ▽ X.XXX ± 0.005	DESSIN DRAWN	2000-10-31	JEALAL
SOUDER PARTOUT WELD EVERYWHERE	SOUDER PARTOUT WELD EVERYWHERE	SOUDER PARTOUT WELD EVERYWHERE	SOUDER PARTOUT WELD EVERYWHERE	VERIFIE CHECKED	2000-11-03	CLABOR
SAUF INDIQUE EXCEPT NOTED	SAUF INDIQUE EXCEPT NOTED	SAUF INDIQUE EXCEPT NOTED	SAUF INDIQUE EXCEPT NOTED	APPR.	2000-11-03	J.F.LALONDE
				DIMENSIONS		
				<input checked="" type="checkbox"/> POUCE / INCHES		
				<input type="checkbox"/> METRIQUE/METRIC		
				POIDS/WEIGHT		
				0.5 lbs		



TITRE / TITLE	ECHELLE / SCALE
CHAPE FEMELLE	1 = 1
CATEGORIE / CATEGORY	PAGE
	1 - DE- OF- 1
BORDEREAU / B.M	DESSIN NO./ DWG NO.
	BL0630-1304