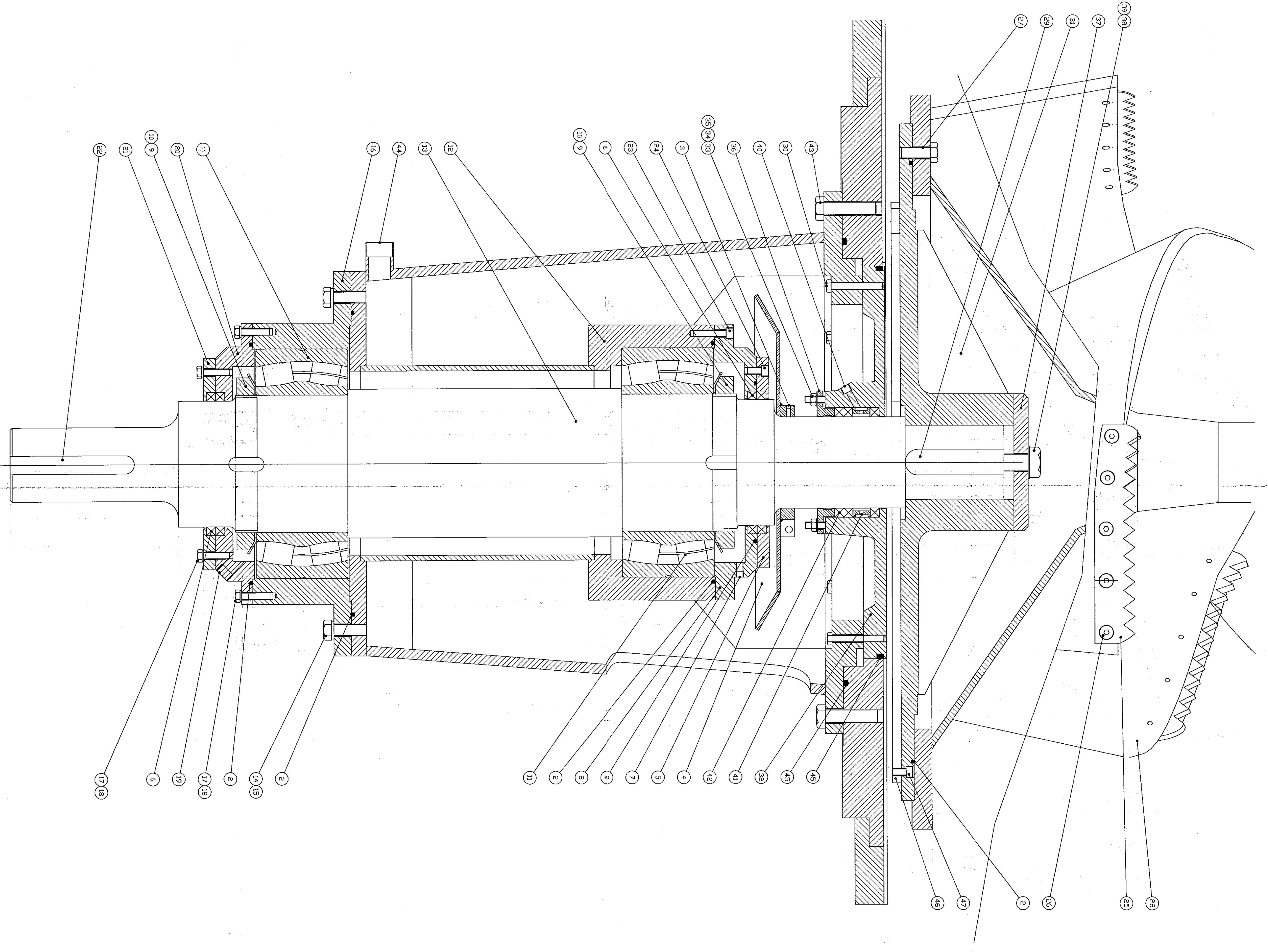


THIRD ANGLE PROJECTION
 DO NOT SCALE
 REMOVE ALL BARRIS



ITEM NO.	DESCRIPTION	MATL.	QTY.
1	ROTOR KEY	W 3	1
2	ROTOR KEY	W 3	1
3	ROTOR KEY	W 3	1
4	ROTOR KEY	W 3	1
5	ROTOR KEY	W 3	1
6	ROTOR KEY	W 3	1
7	ROTOR KEY	W 3	1
8	ROTOR KEY	W 3	1
9	ROTOR KEY	W 3	1
10	ROTOR KEY	W 3	1
11	ROTOR KEY	W 3	1
12	ROTOR KEY	W 3	1
13	ROTOR KEY	W 3	1
14	ROTOR KEY	W 3	1
15	ROTOR KEY	W 3	1
16	ROTOR KEY	W 3	1
17	ROTOR KEY	W 3	1
18	ROTOR KEY	W 3	1
19	ROTOR KEY	W 3	1
20	ROTOR KEY	W 3	1
21	ROTOR KEY	W 3	1
22	ROTOR KEY	W 3	1
23	ROTOR KEY	W 3	1
24	ROTOR KEY	W 3	1
25	ROTOR KEY	W 3	1
26	ROTOR KEY	W 3	1
27	ROTOR KEY	W 3	1
28	ROTOR KEY	W 3	1
29	ROTOR KEY	W 3	1
30	ROTOR KEY	W 3	1
31	ROTOR KEY	W 3	1
32	ROTOR KEY	W 3	1
33	ROTOR KEY	W 3	1
34	ROTOR KEY	W 3	1
35	ROTOR KEY	W 3	1
36	ROTOR KEY	W 3	1
37	ROTOR KEY	W 3	1
38	ROTOR KEY	W 3	1
39	ROTOR KEY	W 3	1
40	ROTOR KEY	W 3	1
41	ROTOR KEY	W 3	1
42	ROTOR KEY	W 3	1
43	ROTOR KEY	W 3	1
44	ROTOR KEY	W 3	1
45	ROTOR KEY	W 3	1
46	ROTOR KEY	W 3	1
47	ROTOR KEY	W 3	1
48	ROTOR KEY	W 3	1
49	ROTOR KEY	W 3	1
50	ROTOR KEY	W 3	1
51	ROTOR KEY	W 3	1

— CHANGED 11/11/15 M30345620000 6002

MILL HILL
 HEAVY ENGINEERING LTD.
 MILL HILL
 HEAVY ENGINEERING LTD.
 MILL HILL
 HEAVY ENGINEERING LTD.

UNLESS OTHERWISE STATED

ALL DIMENSIONS IN MILLIMETERS

FINISH TO BE

SCALE 1:3

DATE 18/12/04

W.F.

CH 999

SPRING BANK MILL
 MILL HILL
 HEAVY ENGINEERING LTD.
 MILL HILL
 HEAVY ENGINEERING LTD.

TEL: (01284) 677817
 FAX: (01284) 677280