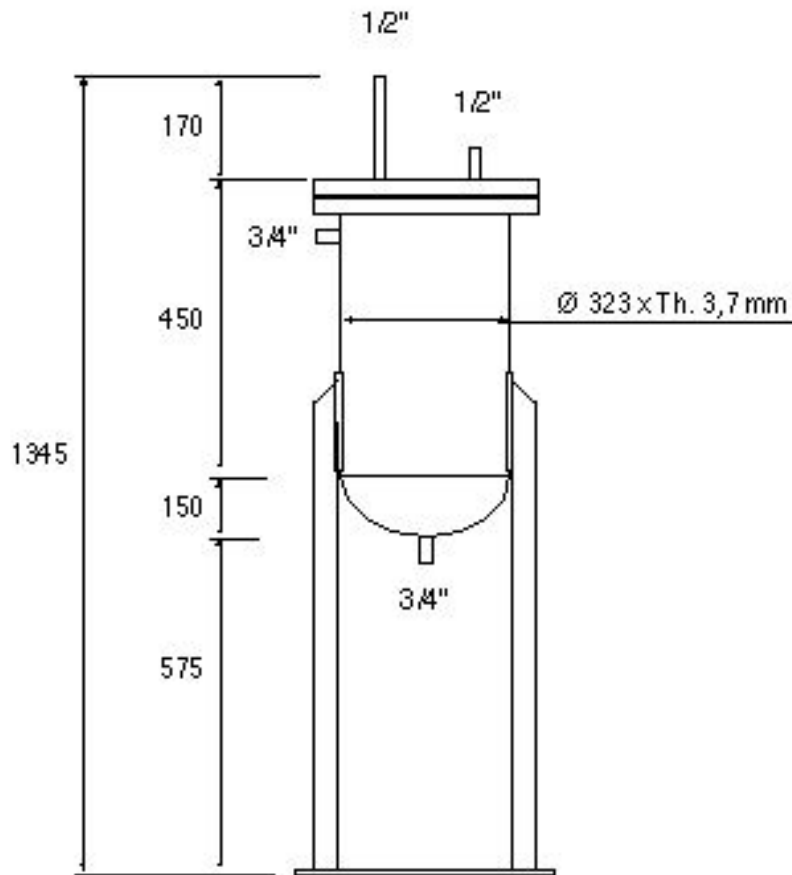


COPRINOX

VESSEL

Code n° **VV 001 1467**Location ref: **11 T2**CAPACITY LITERS **48**

SHELL SIDE

JACKET/COIL SIDE

Design Pressure KG/cm2
Design Temperature °C
Material-0,06/+0,8
40 °C
AISI 316ANCC or ISPESL certification: **NOT**
Availability in stock n° **03** units

NOZZLE DIMENSIONS

MANUFACTURER **MAZZANTI SpA**

Pos	Service	Size inch.
A		
B		
C		
D		
E		

- USED
 USED RECONDITIONED
 UNUSED

NOTE

WEIGHT (approx) Kg **130.**