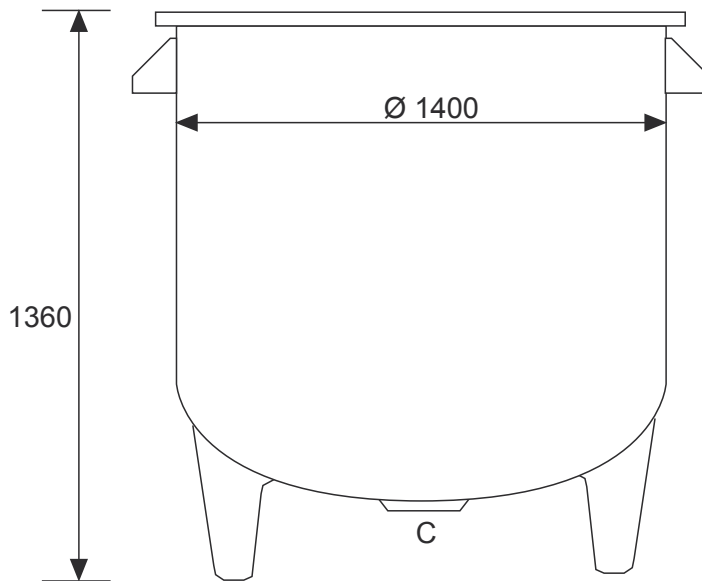


# COPRINOX

## VESSEL

Code n° **VV 018 1479**

Location ref: 90 C1

CAPACITY LITERS **1.800**

SHELL SIDE

JACKET/COIL SIDE

Design Pressure KG/cm2  
Design Temperature °C  
Material

AISI 316

ANCC or ISPESL certification: NOT  
Availability in stock n° 01 units

## NOZZLE DIMENSIONS

MANUFACTURER

Pos	Service	Size inch.
A	Hand hole	400x300
B	Product inlet	3/4"
C	Product outlet	2"
D	Gas inlet	1"1/2
E		

- USED  
 USED RECONDITIONED  
 UNUSED

NOTE

WEIGHT (approx) Kg **650**