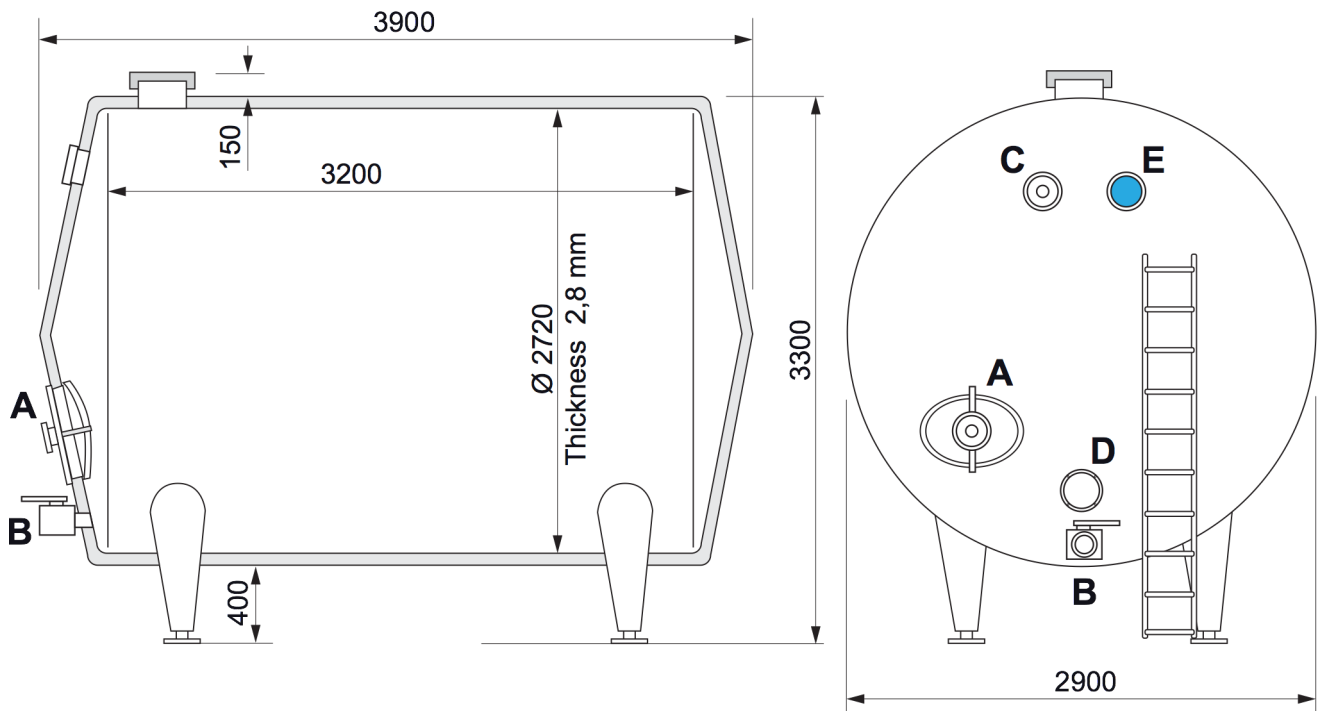


# COPRINOX

# VESSEL

Code n° VO 190 1603

Location ref: 20 C4

CAPACITY LITERS 19.200

SHELL SIDE

JACKET/COIL SIDE

Design Pressure KG/cm<sup>2</sup>  
Design Temperature °C  
Material

Atm

--

--

--

AISI 304

--

ANCC or ISPESL certification: N.AAvailability in stock n° 1 units

## NOZZLE DIMENSIONS

Pos	Service	Size
A	Manhole	500x400
B	Product outlet	DN65
C	Service	DN150
D	Service / agitator flange	DN150
E	Sight glass	DN150

MANUFACTURER APV USED USED RECONDITIONED UNUSED

NOTE

WEIGHT (approx) Kg 1500