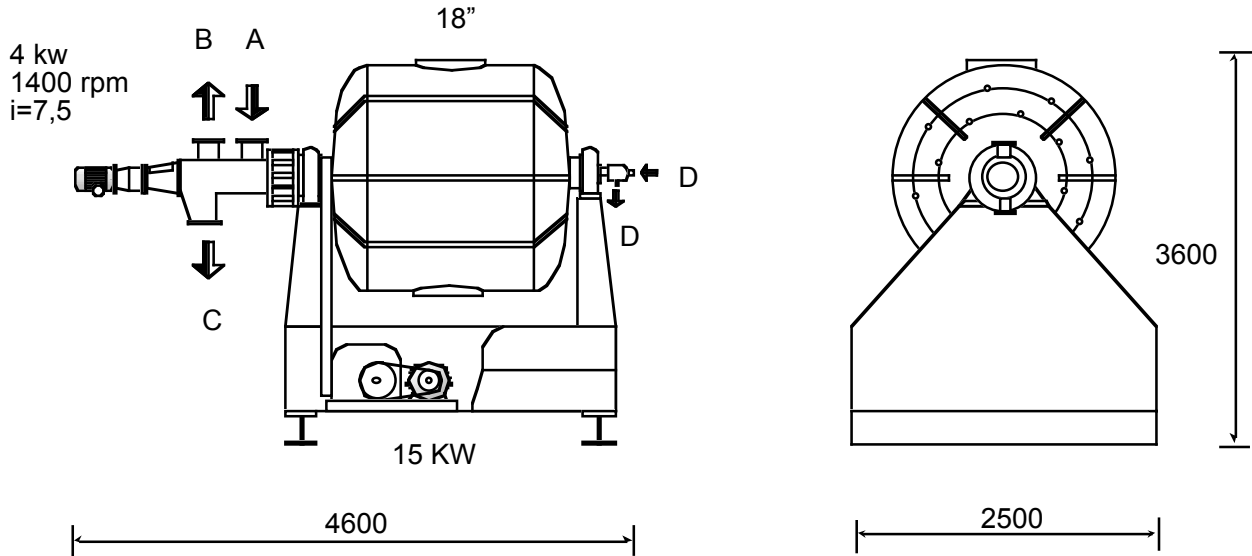


Speed: 3 rpm



CAPACITY LITERS 6000		SHELL SIDE	JACKET/COIL SIDE	
Design Pressure KG/cm2		Vac.	2	
Design Temperature °C		134	134	
Material		AISI 316L	Carbon Steel	
DRYER TYPE: ROTATING DRUM UNDER VACUUM DRYER				
ANCC or ISPEL certification: PC1825/94		NOZZLE DIMENSIONS		
Drive HP: 15 rpm: 3				
MANUFACTURER : MABO		Pos	Service	Size inch.
<input checked="" type="checkbox"/> USED <input type="checkbox"/> USED RECONDITIONED <input type="checkbox"/> UNUSED		A	Product inlet	8"
		B	Vapours outlet	6"
		C	Product outlet	8"
		D	Heating medium in-out	1/2"
WEIGHT (approx) Kg 6500		NOTE		