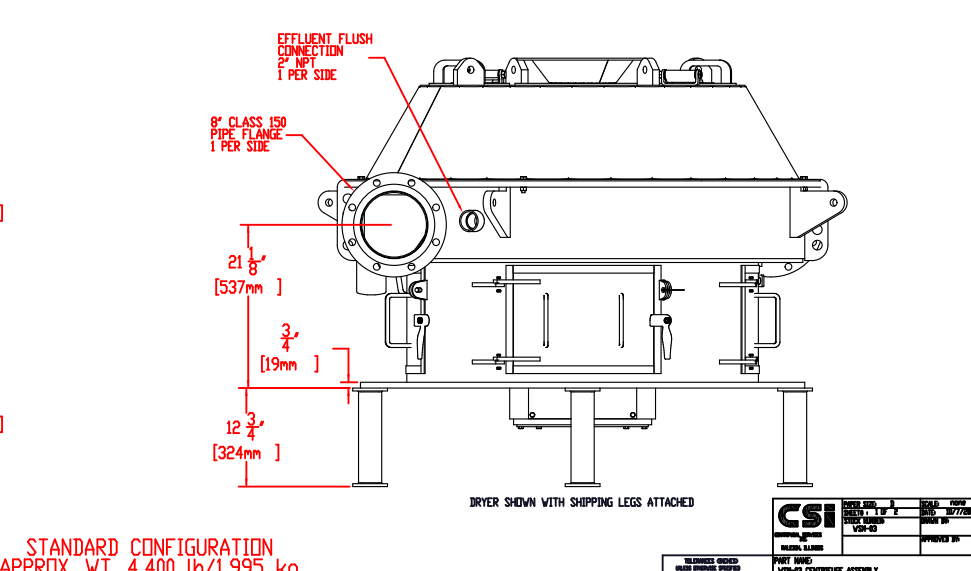
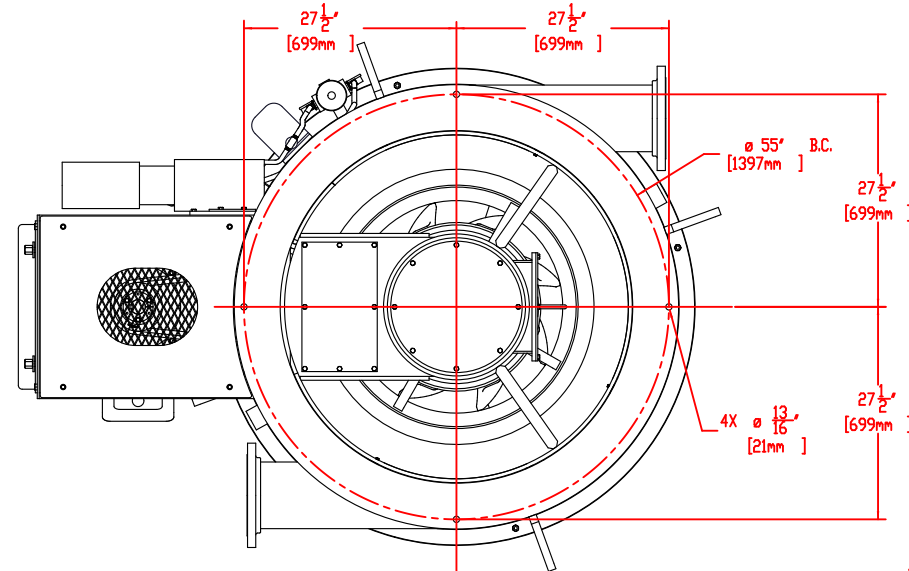
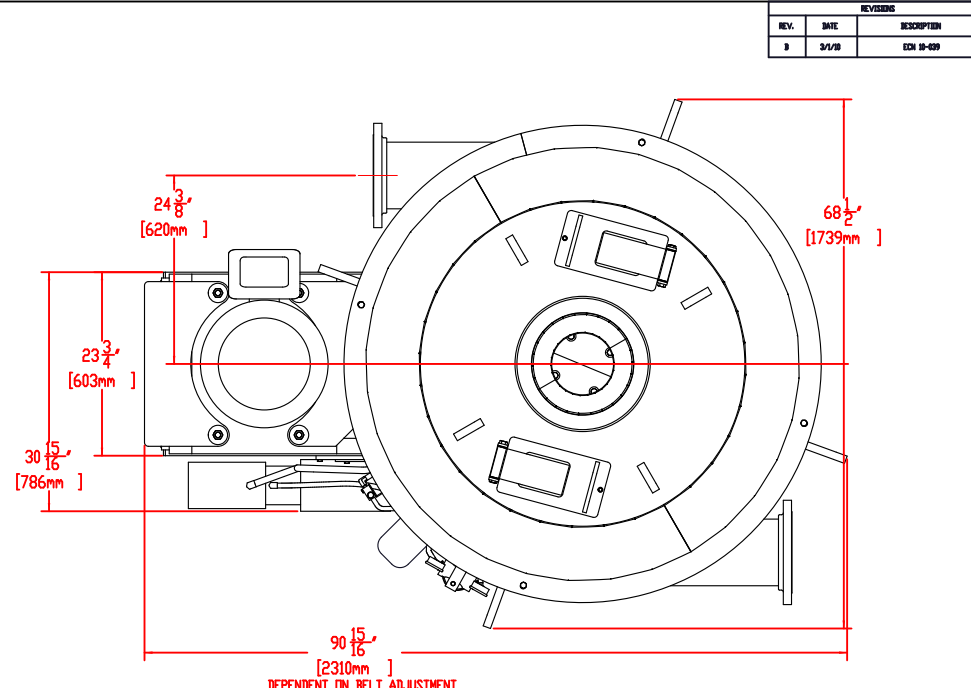
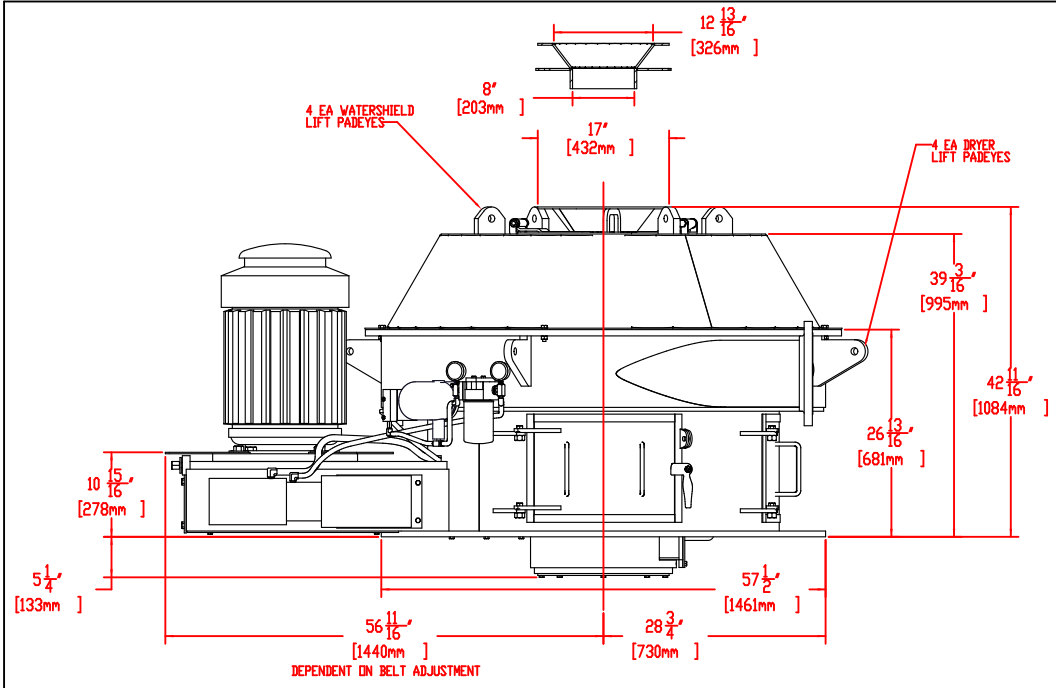


REVISOR		
REV.	DATE	DESCRIPTION
3	3/1/10	EDM 10-009



STANDARD CONFIGURATION
 APPROX. WT. 4,400 lb/1,995 kg

CSI CENTRIFUGAL SEPARATORS 10000 10000	PART NO. 10000 SPEC. 10000	REV. 10000 DATE 10/7/09
	PART NAME 10000 CENTRIFUGAL ASSEMBLY	DRAWN BY CHECKED BY APPROVED BY