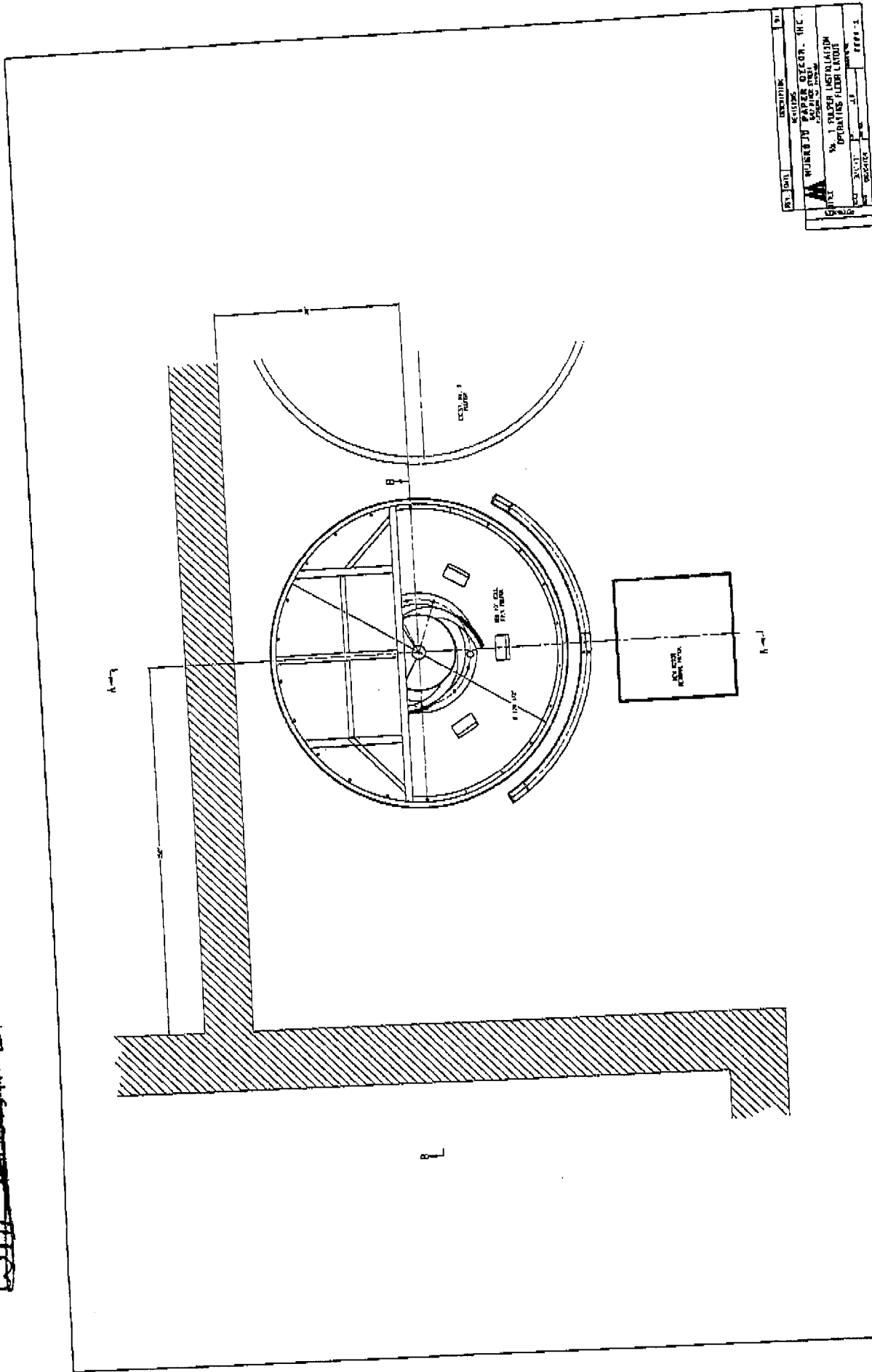
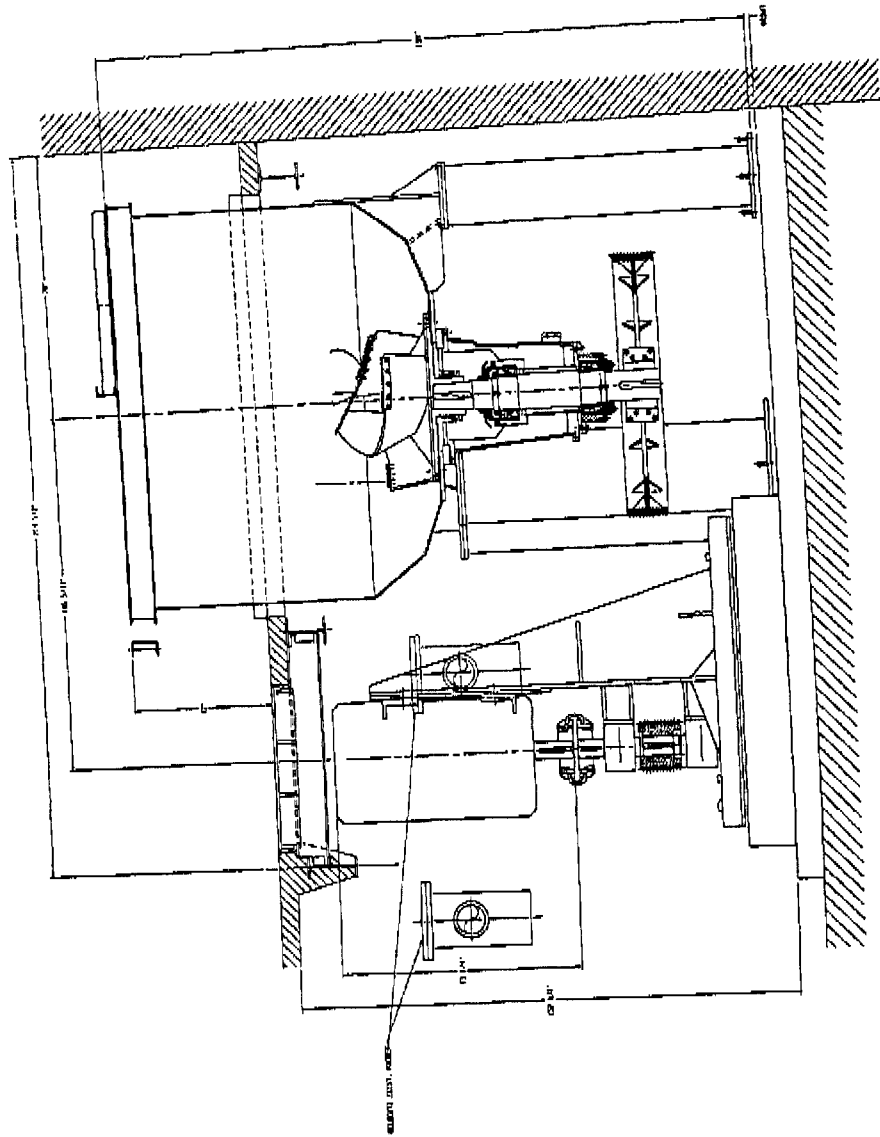


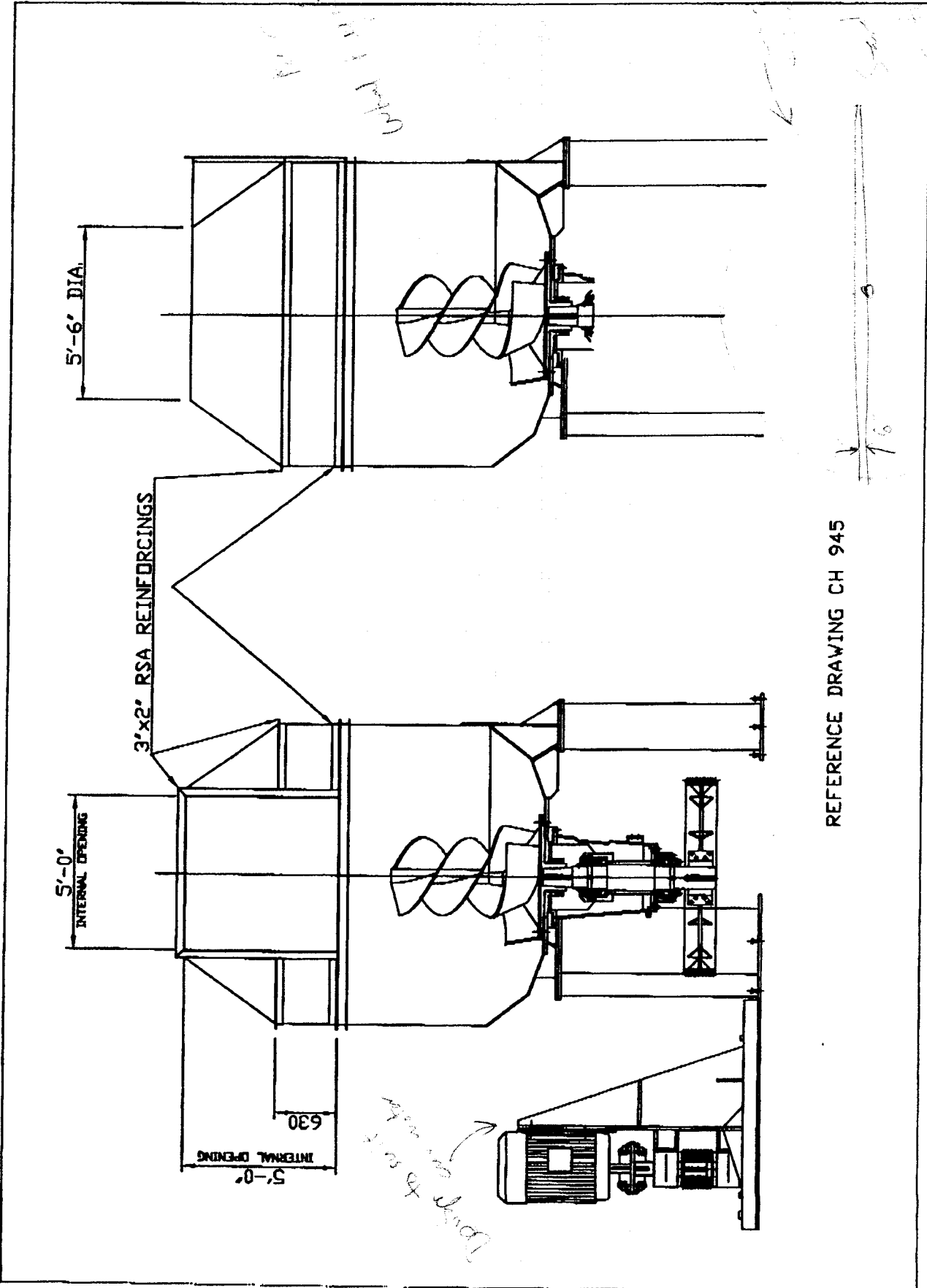
DAVE,
 PLAN & ELEVATIONS ARE ~~AS A GREAT PAPER~~ ~~WORKS~~ SHEETS
~~WILL BE SUBMITTED TO THE ARCHITECT~~





REV.	DATE	DESCRIPTION	BY
1		ISSUE FOR CONSTRUCTION	
2		REVISED TO SHOW PUMP AND MOTOR	
3		REVISED TO SHOW PUMP AND MOTOR	
4		REVISED TO SHOW PUMP AND MOTOR	
5		REVISED TO SHOW PUMP AND MOTOR	
6		REVISED TO SHOW PUMP AND MOTOR	
7		REVISED TO SHOW PUMP AND MOTOR	
8		REVISED TO SHOW PUMP AND MOTOR	
9		REVISED TO SHOW PUMP AND MOTOR	
10		REVISED TO SHOW PUMP AND MOTOR	
11		REVISED TO SHOW PUMP AND MOTOR	
12		REVISED TO SHOW PUMP AND MOTOR	
13		REVISED TO SHOW PUMP AND MOTOR	
14		REVISED TO SHOW PUMP AND MOTOR	
15		REVISED TO SHOW PUMP AND MOTOR	
16		REVISED TO SHOW PUMP AND MOTOR	
17		REVISED TO SHOW PUMP AND MOTOR	
18		REVISED TO SHOW PUMP AND MOTOR	
19		REVISED TO SHOW PUMP AND MOTOR	
20		REVISED TO SHOW PUMP AND MOTOR	
21		REVISED TO SHOW PUMP AND MOTOR	
22		REVISED TO SHOW PUMP AND MOTOR	
23		REVISED TO SHOW PUMP AND MOTOR	
24		REVISED TO SHOW PUMP AND MOTOR	
25		REVISED TO SHOW PUMP AND MOTOR	
26		REVISED TO SHOW PUMP AND MOTOR	
27		REVISED TO SHOW PUMP AND MOTOR	
28		REVISED TO SHOW PUMP AND MOTOR	
29		REVISED TO SHOW PUMP AND MOTOR	
30		REVISED TO SHOW PUMP AND MOTOR	
31		REVISED TO SHOW PUMP AND MOTOR	
32		REVISED TO SHOW PUMP AND MOTOR	
33		REVISED TO SHOW PUMP AND MOTOR	
34		REVISED TO SHOW PUMP AND MOTOR	
35		REVISED TO SHOW PUMP AND MOTOR	
36		REVISED TO SHOW PUMP AND MOTOR	
37		REVISED TO SHOW PUMP AND MOTOR	
38		REVISED TO SHOW PUMP AND MOTOR	
39		REVISED TO SHOW PUMP AND MOTOR	
40		REVISED TO SHOW PUMP AND MOTOR	
41		REVISED TO SHOW PUMP AND MOTOR	
42		REVISED TO SHOW PUMP AND MOTOR	
43		REVISED TO SHOW PUMP AND MOTOR	
44		REVISED TO SHOW PUMP AND MOTOR	
45		REVISED TO SHOW PUMP AND MOTOR	
46		REVISED TO SHOW PUMP AND MOTOR	
47		REVISED TO SHOW PUMP AND MOTOR	
48		REVISED TO SHOW PUMP AND MOTOR	
49		REVISED TO SHOW PUMP AND MOTOR	
50		REVISED TO SHOW PUMP AND MOTOR	
51		REVISED TO SHOW PUMP AND MOTOR	
52		REVISED TO SHOW PUMP AND MOTOR	
53		REVISED TO SHOW PUMP AND MOTOR	
54		REVISED TO SHOW PUMP AND MOTOR	
55		REVISED TO SHOW PUMP AND MOTOR	
56		REVISED TO SHOW PUMP AND MOTOR	
57		REVISED TO SHOW PUMP AND MOTOR	
58		REVISED TO SHOW PUMP AND MOTOR	
59		REVISED TO SHOW PUMP AND MOTOR	
60		REVISED TO SHOW PUMP AND MOTOR	
61		REVISED TO SHOW PUMP AND MOTOR	
62		REVISED TO SHOW PUMP AND MOTOR	
63		REVISED TO SHOW PUMP AND MOTOR	
64		REVISED TO SHOW PUMP AND MOTOR	
65		REVISED TO SHOW PUMP AND MOTOR	
66		REVISED TO SHOW PUMP AND MOTOR	
67		REVISED TO SHOW PUMP AND MOTOR	
68		REVISED TO SHOW PUMP AND MOTOR	
69		REVISED TO SHOW PUMP AND MOTOR	
70		REVISED TO SHOW PUMP AND MOTOR	
71		REVISED TO SHOW PUMP AND MOTOR	
72		REVISED TO SHOW PUMP AND MOTOR	
73		REVISED TO SHOW PUMP AND MOTOR	
74		REVISED TO SHOW PUMP AND MOTOR	
75		REVISED TO SHOW PUMP AND MOTOR	
76		REVISED TO SHOW PUMP AND MOTOR	
77		REVISED TO SHOW PUMP AND MOTOR	
78		REVISED TO SHOW PUMP AND MOTOR	
79		REVISED TO SHOW PUMP AND MOTOR	
80		REVISED TO SHOW PUMP AND MOTOR	
81		REVISED TO SHOW PUMP AND MOTOR	
82		REVISED TO SHOW PUMP AND MOTOR	
83		REVISED TO SHOW PUMP AND MOTOR	
84		REVISED TO SHOW PUMP AND MOTOR	
85		REVISED TO SHOW PUMP AND MOTOR	
86		REVISED TO SHOW PUMP AND MOTOR	
87		REVISED TO SHOW PUMP AND MOTOR	
88		REVISED TO SHOW PUMP AND MOTOR	
89		REVISED TO SHOW PUMP AND MOTOR	
90		REVISED TO SHOW PUMP AND MOTOR	
91		REVISED TO SHOW PUMP AND MOTOR	
92		REVISED TO SHOW PUMP AND MOTOR	
93		REVISED TO SHOW PUMP AND MOTOR	
94		REVISED TO SHOW PUMP AND MOTOR	
95		REVISED TO SHOW PUMP AND MOTOR	
96		REVISED TO SHOW PUMP AND MOTOR	
97		REVISED TO SHOW PUMP AND MOTOR	
98		REVISED TO SHOW PUMP AND MOTOR	
99		REVISED TO SHOW PUMP AND MOTOR	
100		REVISED TO SHOW PUMP AND MOTOR	

VIEW A-A



REFERENCE DRAWING CH 945