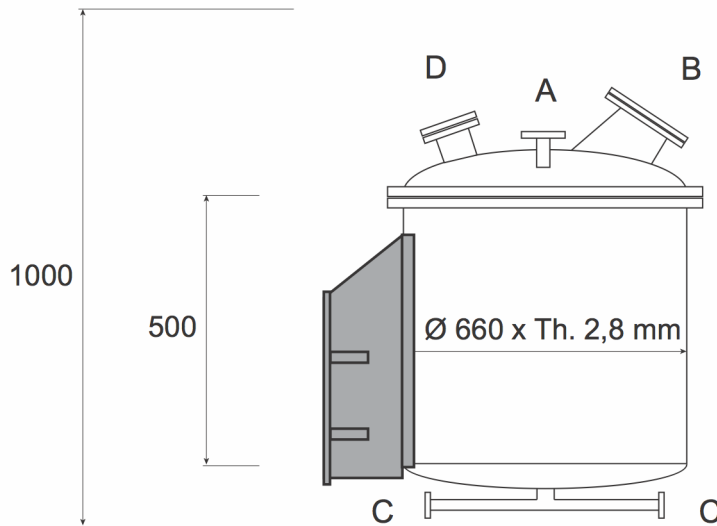


COPRINOX

VESSEL

Code n° **VV 002 1540**

Location ref: 17 G1

CAPACITY LITERS 200

SHELL SIDE

JACKET/COIL SIDE

Design Pressure KG/cm²
Design Temperature °C
Material

AISI 316

ANCC or ISPESL certification: NOT
Availability in stock n° 01 units

NOZZLE DIMENSIONS

Pos	Service	Size inch.
A	Product inlet	1"
B	Sight glass	6"
C	Product outlet	1"
D	Sight glass	4"
E		

MANUFACTURER _____

- USED
 USED RECONDITIONED
 UNUSED

NOTE _____

WEIGHT (approx) Kg _____