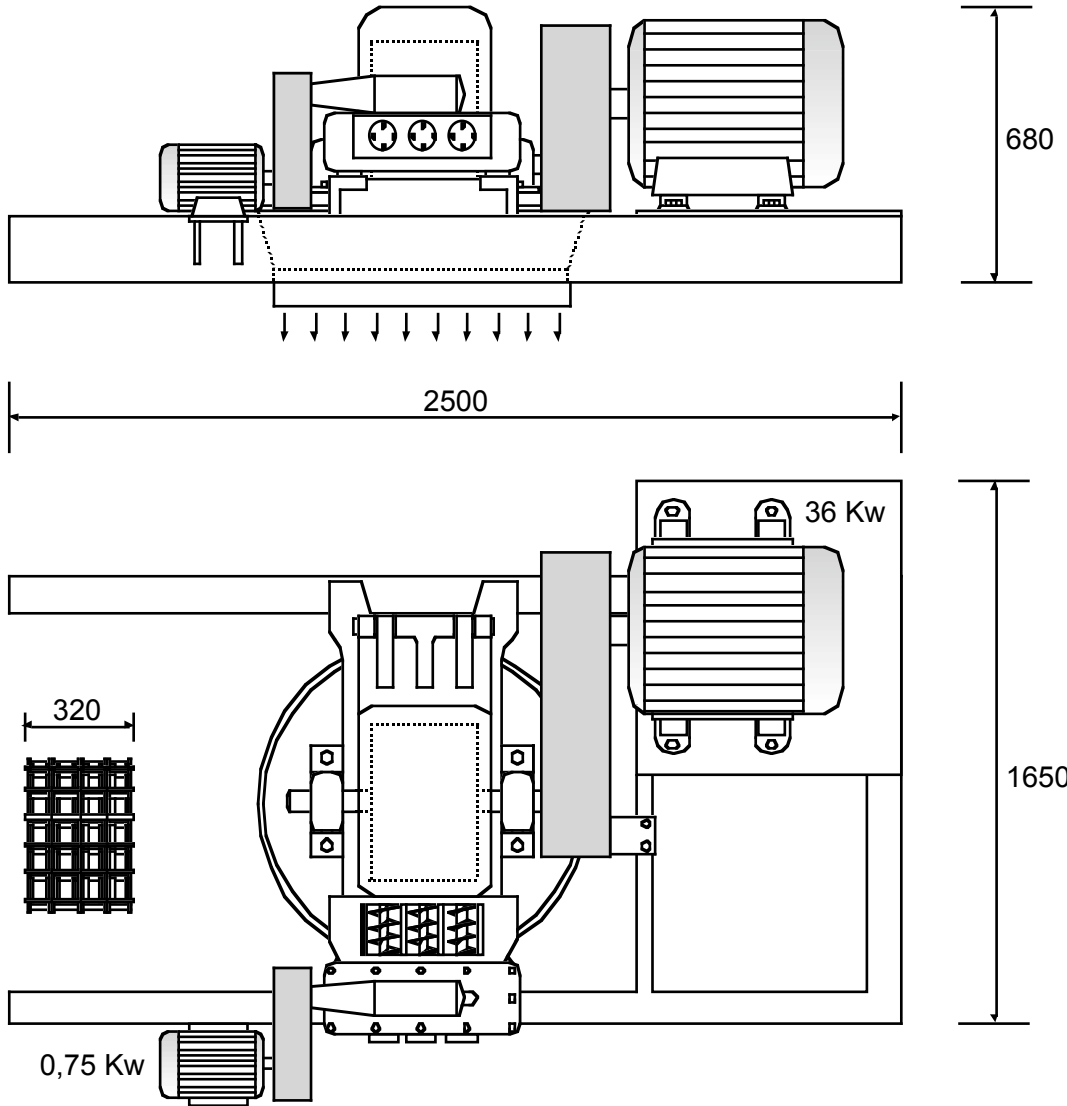


COPFINOX

MILL

Code n° MIL 500 0056 Drawing n° 99 C4



TYP 4T-H BAUJAR 80 Serien nr 61011 8004

Mill motor: 36 Kw 2950 RPM

Screw feeder motor: 0,75 Kw 1450 RPM

Material of construction: Carbon Steel

SUPPLIER : MIKROPUL KOLM Type 4TH RPM 3800

NOZZLE DIMENSIONS

POS	SERVICE	SIZE INC
A		
B		
C		
D		

USED

USED RECONDITIONED

NEW

WEIGHT Kg 1400