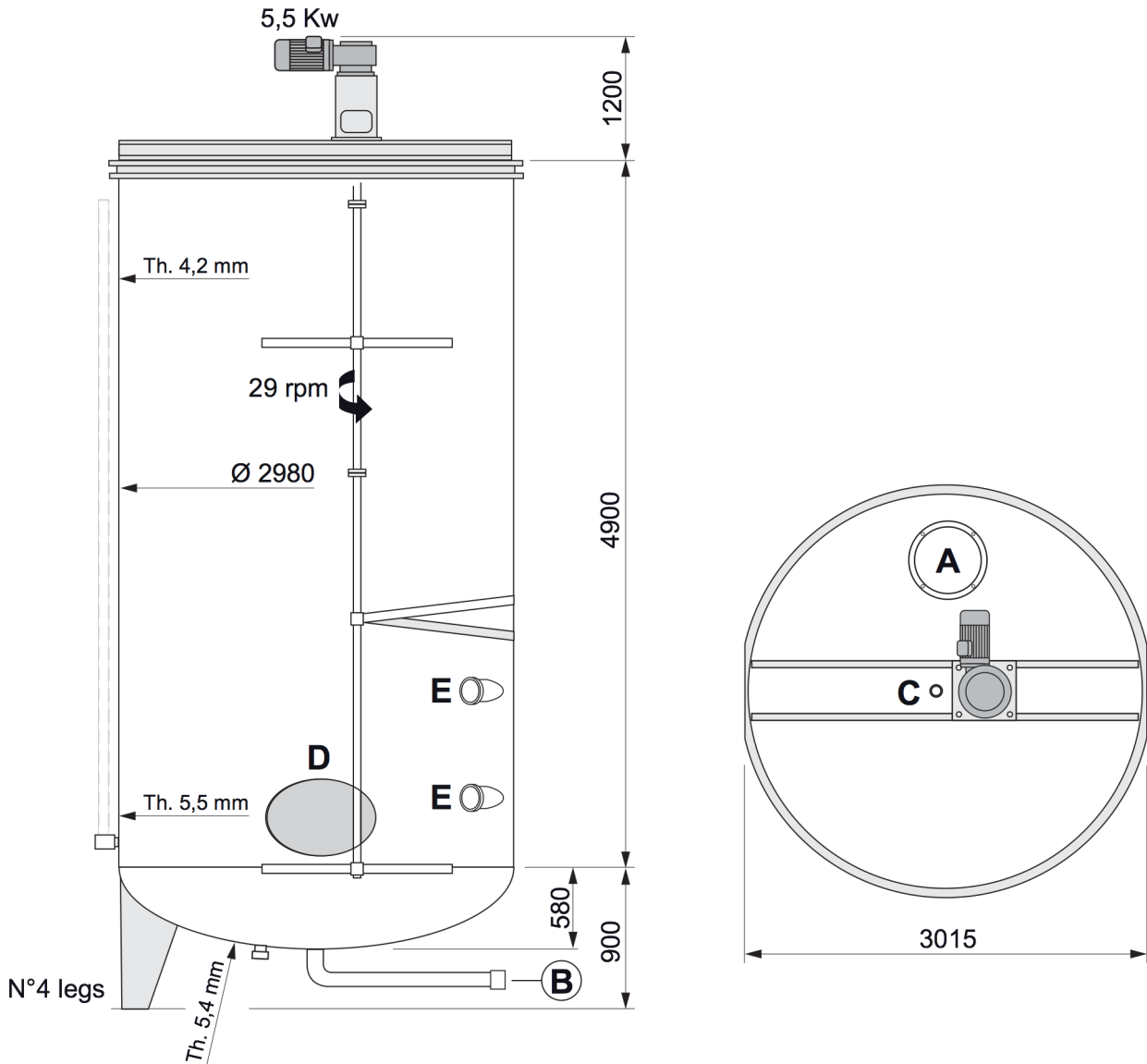


COPRINOX

VESSEL

Code n° **VV 370 1585**

Location ref: 19 B4



CAPACITY LITERS <u>37.000</u>		SHELL SIDE	JACKET/COIL SIDE	
Design Pressure KG/cm2		Atm	--	
Design Temperature °C		--	--	
Material		AISI 304	--	
ANCC or ISPESL certification: <u>N.A</u>		NOZZLE DIMENSIONS		
Availability in stock n° <u>1</u> units				
MANUFACTURER _____		Pos	Service	Size
<input checked="" type="checkbox"/> USED <input type="checkbox"/> USED RECONDITIONED <input type="checkbox"/> UNUSED		A	Manhole	DN500
		B	Product outlet	DN100
		C	CIP - sprayball	DN50
		D	Manhole	
		E	Product inlet / service	DN100
WEIGHT (approx) Kg <u>3600</u>		NOTE _____		