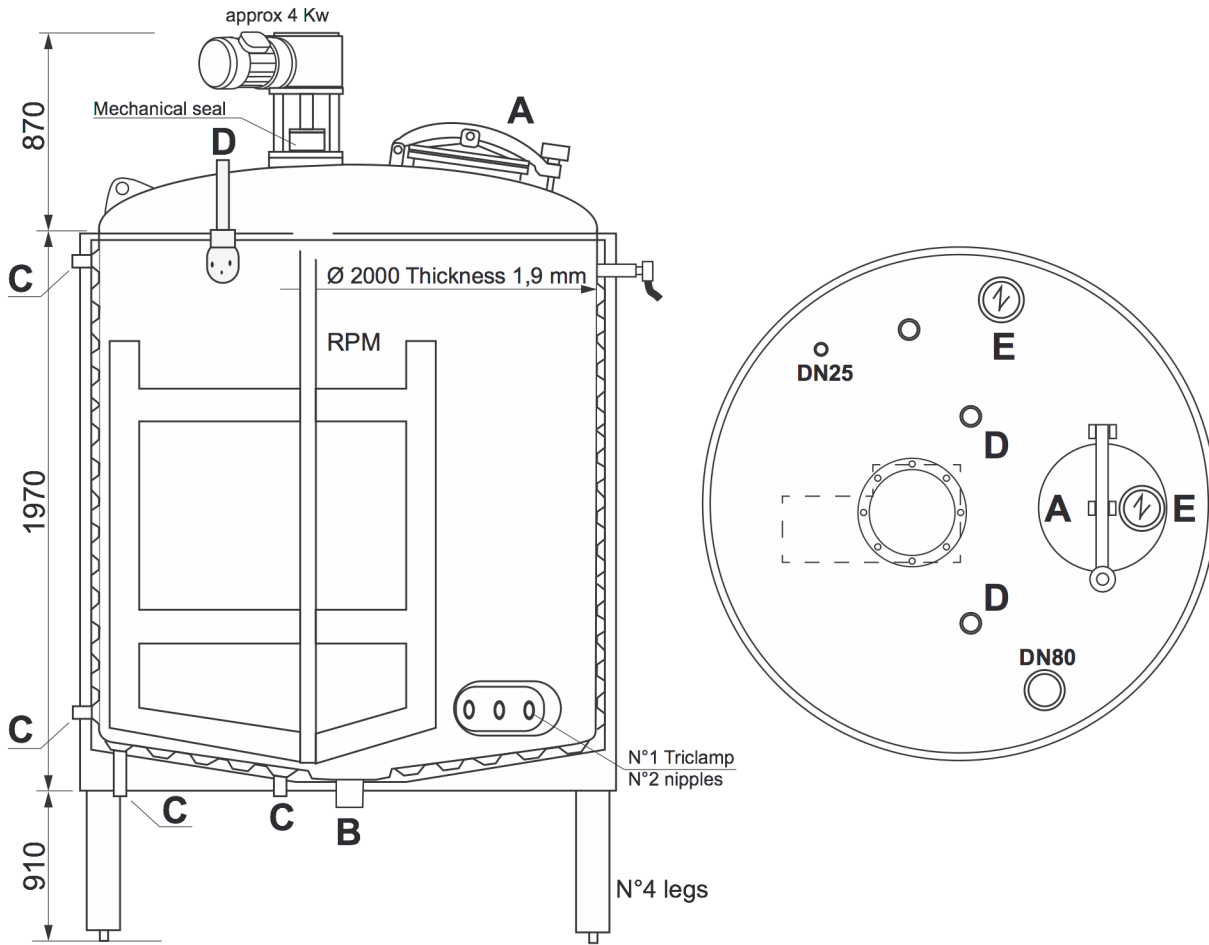


COPRINOX

AGITATED VESSEL

Code n° **RAJ 050 1388**

Location ref: 19 T2



CAPACITY LITERS <u>5.000</u>	SHELL SIDE	JACKET/COIL SIDE
Design Pressure KG/cm2	ATM	
Design Temperature °C		
Material	AISI 316	AISI 304
ANCC or ISPESL certification: <u>NOT</u>	NOZZLE DIMENSIONS	
Availability in stock n° <u>01</u> units	Pos	Service
MANUFACTURER: <u>AZZINI</u>	A	Man hole
<input checked="" type="checkbox"/> USED	B	Product outlet
<input type="checkbox"/> USED RECONDITIONED	C	Heating medium in-out
<input type="checkbox"/> UNUSED	D	Sprayball
WEIGHT (approx) Kg <u>1200</u>	E	Sight glass
	NOTE	Damaged Jacket
		Type AZZ/TIN/B