

5.6 Lighthead Positioning

Lightheads can be positioned by using either the sterile handle, or by grasping the non-sterile handle around the lighthead housing. Each lighthead can be positioned as listed from outside or from within the sterile field. To optimize shadow control, position the lighthead as appropriate before starting the intended surgical procedure.



CAUTION – POSSIBLE EQUIPMENT DAMAGE HAZARD: Do not bump lightheads into walls or other equipment. Always use handles when positioning lighthead during surgical procedures, or when cleaning or servicing the lighting system.

HarmonyAIR Surgical Lighting System (M5 and M7) Lighthead/Spring Arm Assemblies may:

See [Figure 5-11](#).

- (1) rotate continuously around central hub;
- (2) rotate continuously at horizontal suspension arm/spring arm connection;
- (3) rotate continuously at spring arm/yoke connection;
- (4) tilt forward or backward in yoke approximately 310° ; and
- (5) move up or down by pivoting at suspension elbow 15° up and 85° down (total range: 100°).

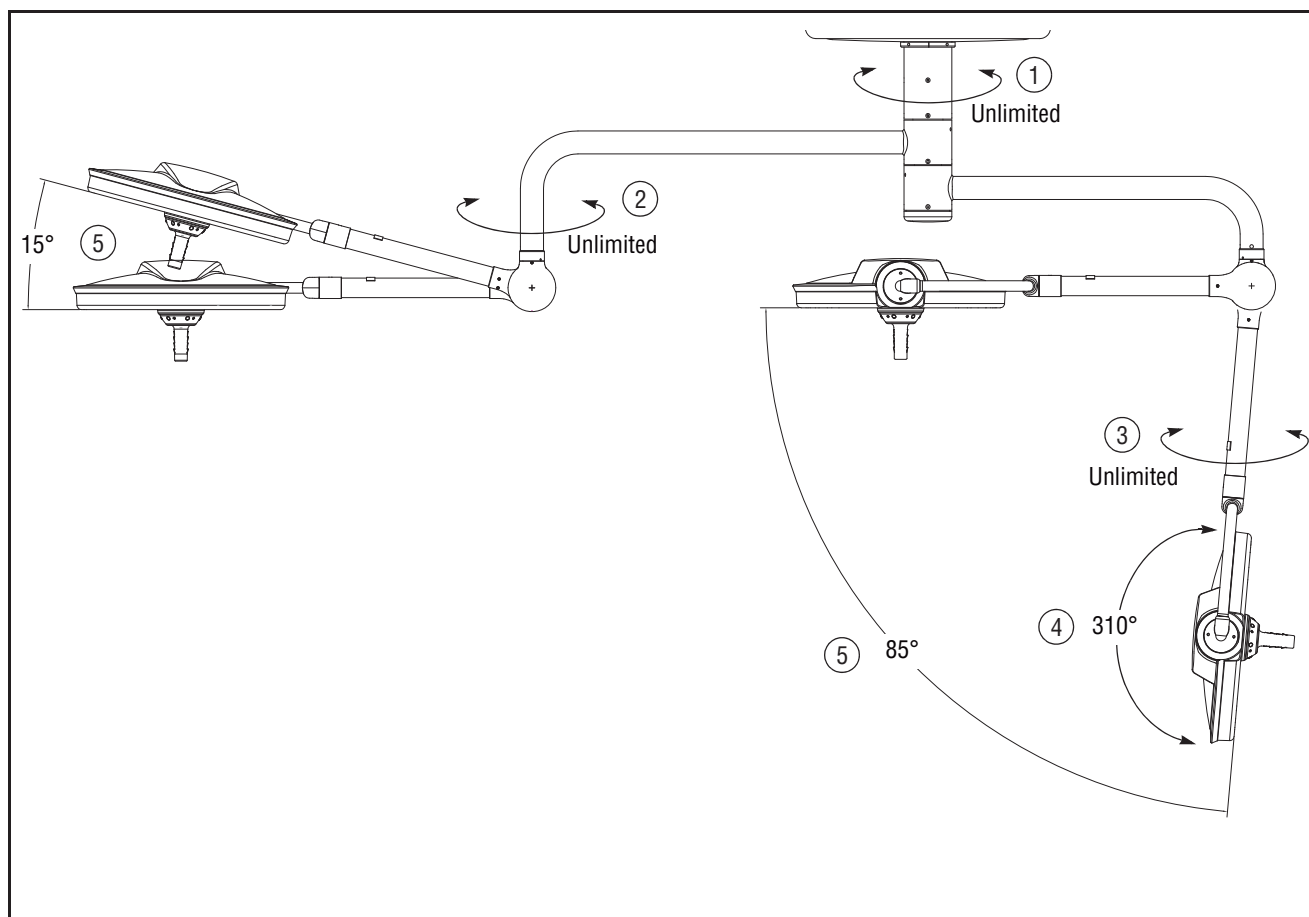


Figure 5-11. HarmonyAIR M5 and HarmonyAIR M7 Lighthead Positioning