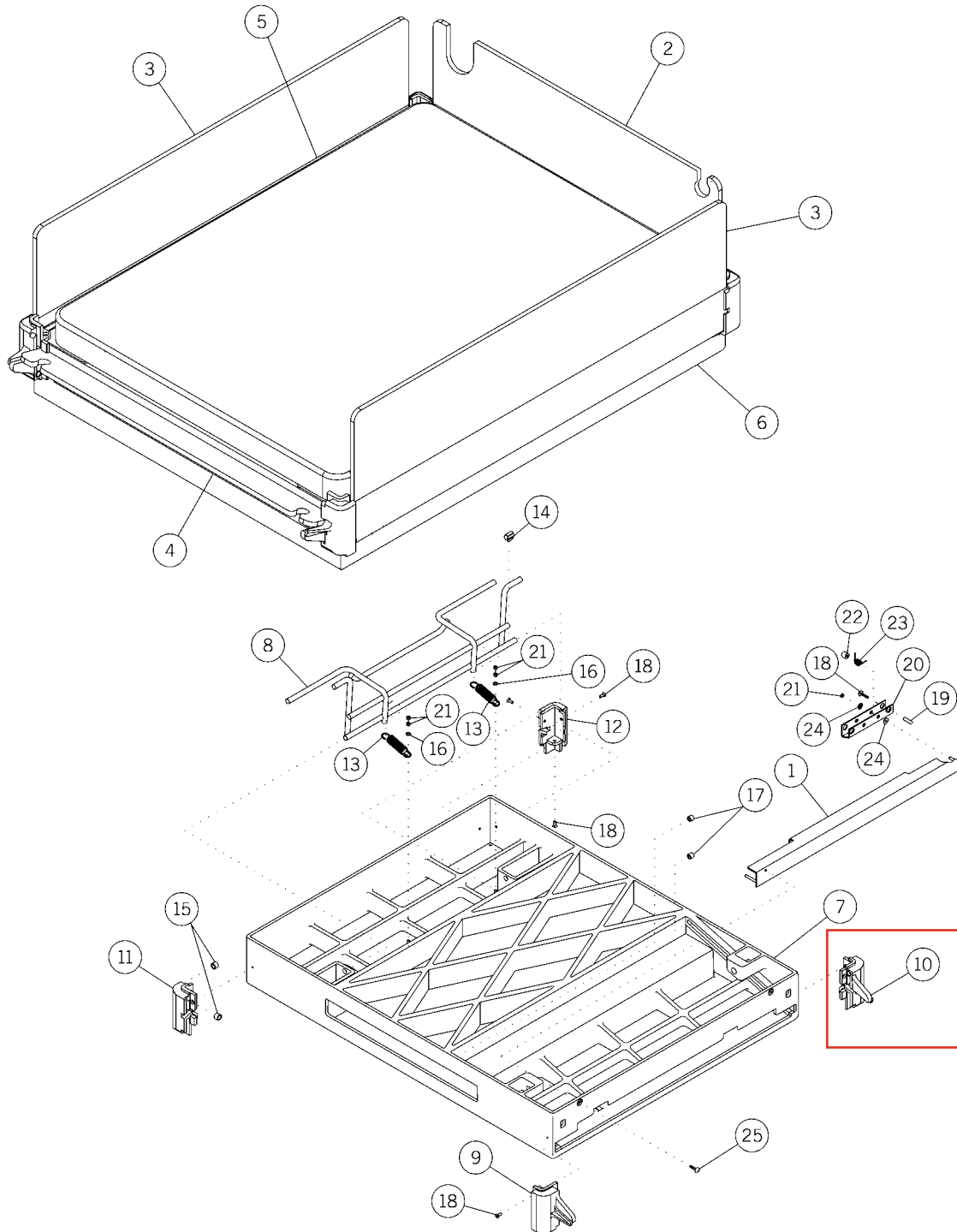


Bassinet Assembly for the Resuscitaire® Birthing Room Warmer

Figure 5-14. Bassinet Assembly for the Resuscitaire® Birthing Room Warmer



Bassinet subassembly exploded view

82990451075

Table 5-12. Bassinet Assembly for the Resuscitaire® Birthing Room Warmer

Item	Part Number	MU	Qty	Description
1	81 020 31	MU11070	1	Bassinet support
2	81 900 01	MU11586	1	Replacement rear panel, English
3	81 900 00	MU11585	2	Replacement side panel, English
4	81 900 07	MU11592	1	Replacement front panel, with bassinet release, English
5	78 170 20	MU09577	1	Mattress assembly, 20½" x 25¾"
6	81 100 72-R	MU11124	1	Bassinet subassembly
7	81 020 07	MU11047	1	Support, mattress
8	82 000 10	MU11782	1	Handle, bassinet tilt
9	81 100 03	MU11085	1	Corner block, panel mounting, right front
10	81 100 04	MU11086	1	Corner block, panel mounting, left front
11	81 100 46	MU11103	1	Corner block, panel mounting, right rear
12	81 100 47	MU11104	1	Corner block, panel mounting, left rear
13	81 100 34	MU11095	2	Spring, external, ½" outer diameter, 0.55" wide, 1¾" long
14	78 162 65	MU09421	1	Clip, spring, ¼"-0.31" diameter x ½" long
15	08 136 03	MU01912	8	Tubing, polyvinyl chloride (PVC), ¼" inner diameter x 0.27" long
16	99 123 32	MU15556	2	Washer, flat, 0.19" inner diameter, ¾" outer diameter, 0.06" thick, steel, zinc-plated
17	22 025 49	MU03754	2	Tubing, PVC, 3/16" inner diameter, 0.27" long
18	99 023 54	MU15128	14	Screw, #6-32 x 3/8", pan, phillips, stainless steel, Nylok®
19	81 100 68	MU11120	2	Cap, tubing, vinyl, 0.172" inner diameter, ½" long
20	81 100 67	MU11121	2	Bracket, aluminum channel, front wall, released
21	99 105 35	MU15423	6	Nut, hex, #6-32, Nylok®
22	99 124 41	MU15574	2	Spacer, 0.2" inner diameter, 0.38" outer diameter, ¼" long, PVC
23	81 100 69	MU11121	2	Spring, torsion, 0.357" outer diameter, 0.45" wide, stainless steel
24	99 122 46	MU15543	2	Washer, shoulder, 0.14" inner diameter, .22 DS, 0.05LS, N