

# APR 2220

## REVERSIBLE VIBRATORY PLATE

### FAST WORKER AND A GOOD CLIMBER

The light weight and narrow width of the APR 2220 make this reversible plate compactor a great fit especially on small or confined worksites. With a working width of 40 cm and a weight of about 100 kg (121 kg with diesel engine), this vibratory plate squeezes into tight locations. It's ability to overcome steep grades and move quickly on even and uneven surfaces allow a wide range of applications that the APR 2220 you can use this machine for.

### INNOVATIVE HANDLE

- The low vibration handle reduce stress on the operator.
- Round handle for optimized grip for all individual operator
- Opening in handle prevents the machine from getting damaged by lifting on unsuitable positions

### MAKES THE GRADE

- Overcomes grades between 30 % and 35 %.

### READY TO RENT

- Low-cost upkeep.
- Good match for many applications.
- Easy for new users to operate.

### TWIN-SHAFT EXCITER UNIT

- Shaft positioning enables the operator to easily change directions.
- Smooth variable hydrostatic unit allows machine to move easily in forward and reverse.
- "On-the-spot" vibration can be utilised in particularly challenging areas.

### DURABLE

- Well-protected, robust centrifugal clutch with wear-resistant V belt.
- Service-friendly exciter unit with long lifetime.
- Wear-resistant, self-cleaning base plate.
- Sturdy protection frame with central lifting point.

### APPLICATIONS

- Earthwork and paving applications
- Road and rail track construction
- Compaction work in narrow trenches, confined areas
- Landscape and gardening
- Foundation work
- Sensitive surfaces (with optional rubber mats for stone protection)

**AMMANN**

TECHNICAL SPECIFICATIONS  
APR 2220 REVERSIBLE VIBRATORY PLATE

## WEIGHT & DIMENSIONS

	PETROL	DIESEL
MACHINE WEIGHT	100 kg (220 lb)	121/128 kg (266/282 lb)
A BASE PLATE LENGTH	254 mm (10.0 in)	254 mm (10.0 in)
B MACHINE LENGTH	620 mm (24.4 in)	620 mm (24.4 in)
C WITH HANDLE	1140 mm (44.9 in)	1140 mm (44.9 in)
D MACHINE HEIGHT	610 mm (24.0 in)	730 mm (28.7 in)
E HANDLE HEIGHT (WORK)	1000 mm (40 in)	1020 mm (40 in)
F HANDLE HEIGHT (TRANSPORT)	1180 mm (46.5 in)	1180 mm (46.5 in)
G MACHINE WIDTH	400 mm (15.7 in)	400 mm (15.7 in)

## ENGINE

ENGINE	Honda GX 120	Hatz 1 B 20
FUEL	Petrol	Diesel
ENGINE OUTPUT	4 HP / 2.9 kW	4.2 HP / 3.1 kW
AT RPM	3600	3000
FUEL CONSUMPTION	0.9 l/h (0.2 gal/h)	0.9 l/h (0.2 gal/h)

## COMPACTION FORCES

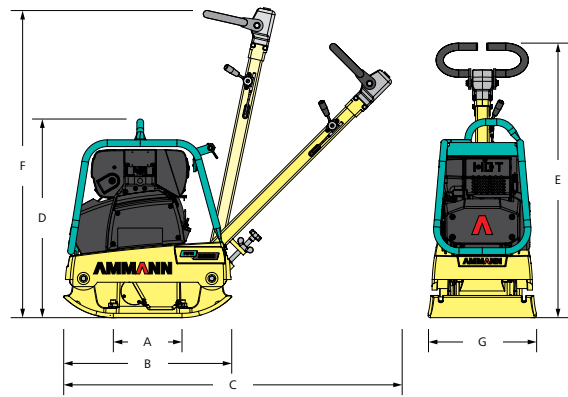
MAX. VIBRATION FREQUENCY	98 Hz (5800 vpm)	98 Hz (5800 vpm)
MAX. CENTRIFUGAL FORCE	22 kN (4,9 lfb)	22 kN (4,9 lfb)
WORKING SURFACE	600 m <sup>2</sup> /h (6458 ft <sup>2</sup> /h)	600 m <sup>2</sup> /h (6458 ft <sup>2</sup> /h)
WITH EXTENSION PLATES	-	-
MAX. COMPACTION DEPTH (DEPENDING ON GROUND CONDITIONS)	20 cm (7.9 in)	25 cm (9.8 in)

## MISCELLANEOUS

SPEED	0-20 m/min	0-20 m/min
FUEL TANK	2.5 l (0,6 gal)	3 l (0.7 gal)
WATER TANK	-	-
GRADEABILITY	35 %	35 %
MAX. INCLINE TO ALL SIDES	20 °	30 °

### STANDARD EQUIPMENT

- Sturdy protection frame with central lifting point
- Powerful and reliable petrol or diesel engine
- 2-shaft exciter with long service intervalls
- Well protected, sturdy centrifugal clutch with wear resistant V-Belt
- 3 year extended warranty program



### OPTIONAL EQUIPMENT

- Transport wheels
- Vulcollan mat for applications on paving stones
- Hour meter

For additional product information and services please visit:  
[www.ammann-group.com](http://www.ammann-group.com)

Specifications are subject to change.  
MSS-1053-00-EN | © Ammann Group

**AMMANN**