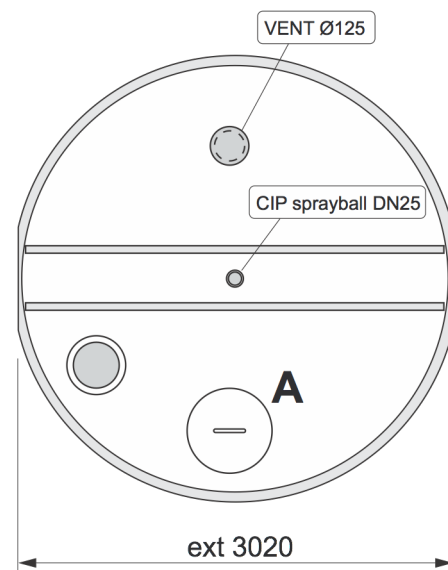
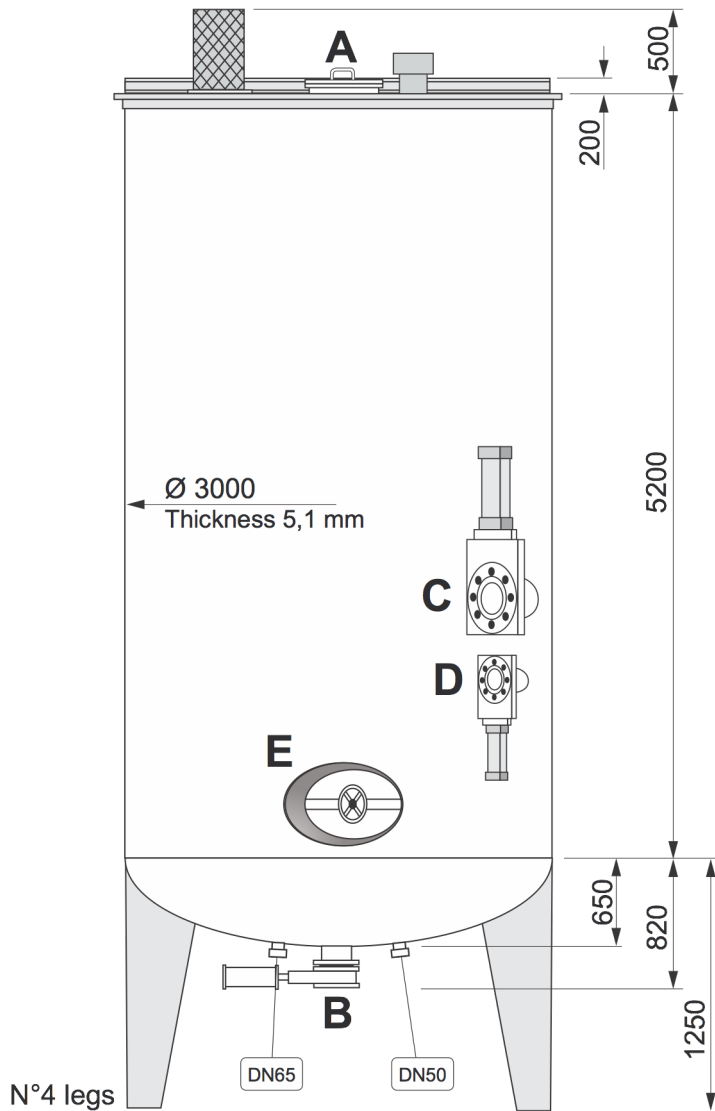


# COPRINOX

# VESSEL

Code n° **VV 400 1574**Location ref: **19 S2**CAPACITY LITERS **40.000**Design Pressure KG/cm<sup>2</sup>  
Design Temperature °C  
Material

SHELL SIDE

JACKET/COIL SIDE

Atm

--

--

--

AISI 304

--

ANCC or ISPESEL certification: **N.A**Availability in stock n° **1** units

MANUFACTURER

 USED USED RECONDITIONED UNUSEDWEIGHT (approx) Kg **3240.**

## NOZZLE DIMENSIONS

Pos	Service	Size
A	Manhole	DN450
B	Product outlet	DN250
C	Product inlet / Service	
D	Product inlet / Service	
E	Side Manhole	

NOTE