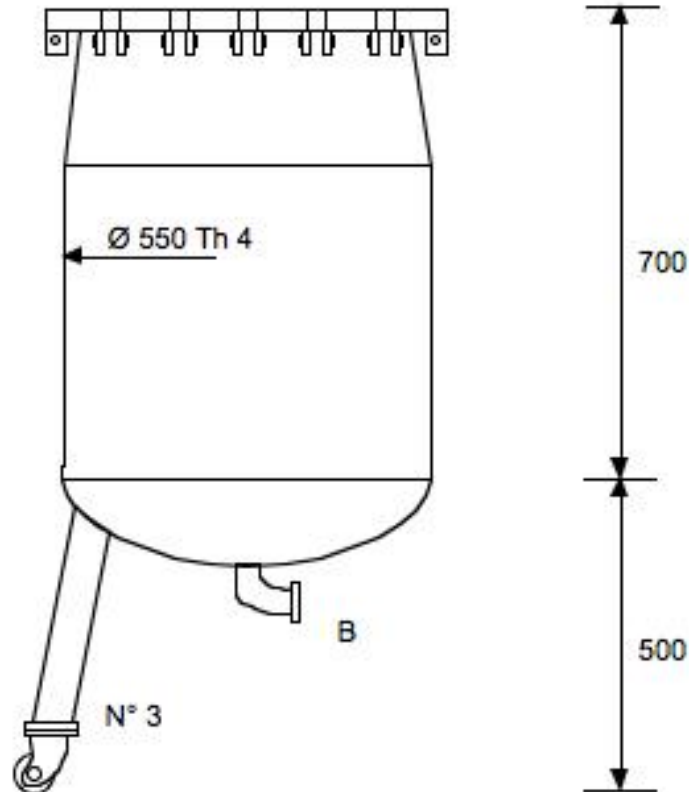


COPRINOX

VESSEL

Code n° **VV 002 1315**Location ref: **99 T2**CAPACITY LITERS **200**

SHELL SIDE

JACKET/COIL SIDE

Design Pressure KG/cm2
Design Temperature °C
Material

4

100

AISI 316 L

ANCC or ISPESL certification: **NOT**
Availability in stock n° **01** units

NOZZLE DIMENSIONS

Pos	Service	Size inch.
A		
B	Product outlet	1"1/4
C		
D		
E		

MANUFACTURER **OLSA**

- USED
 USED RECONDITIONED
 UNUSED

NOTE ALL PARTS POLISH MIRROR Without coverWEIGHT (approx) Kg **80**