

JUN. 1992

MECHANICAL SHEAR

M-3060



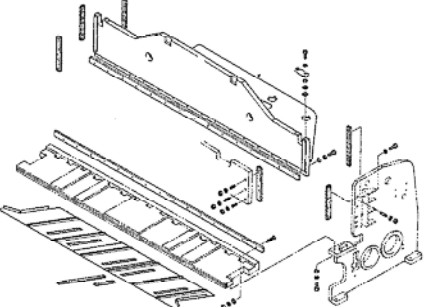
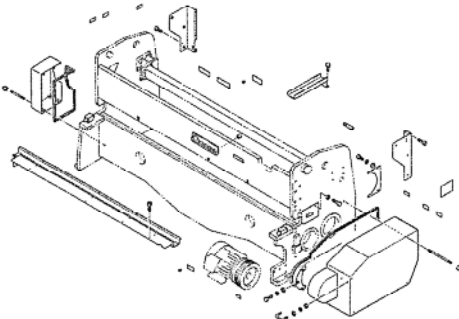
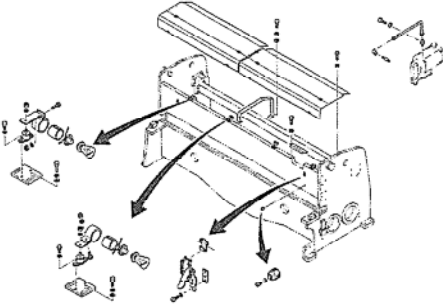
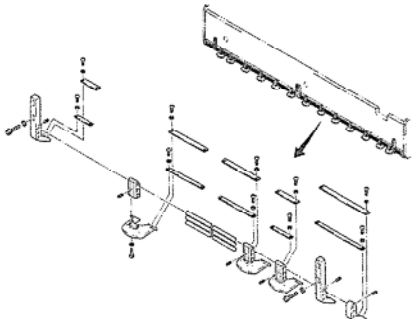
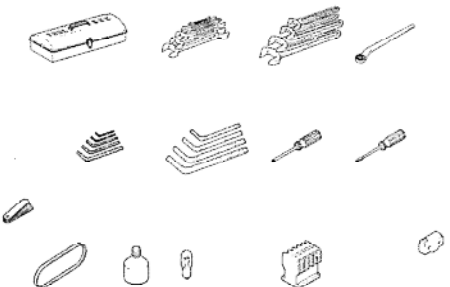
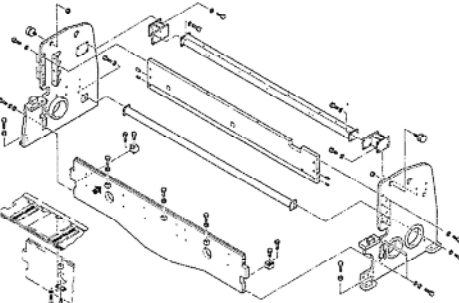
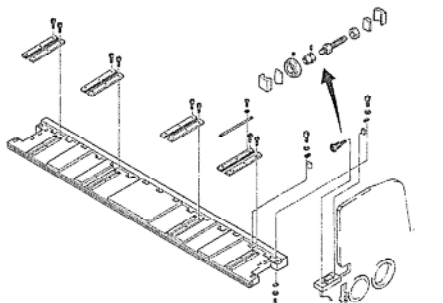
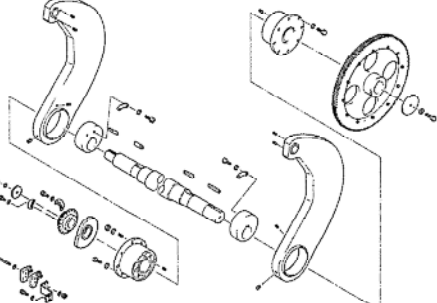
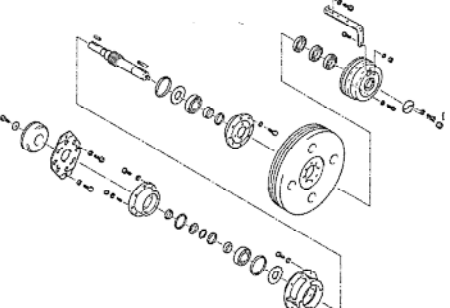
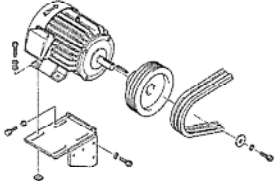
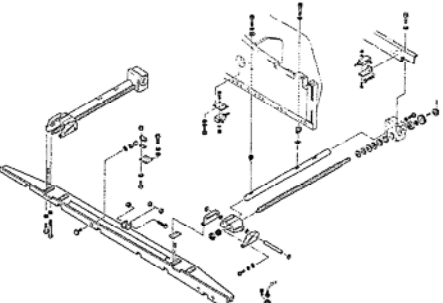
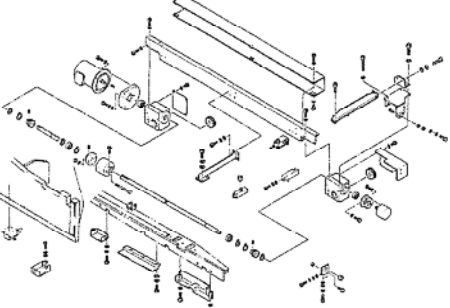
\*M3060\*

# PARTS LIST

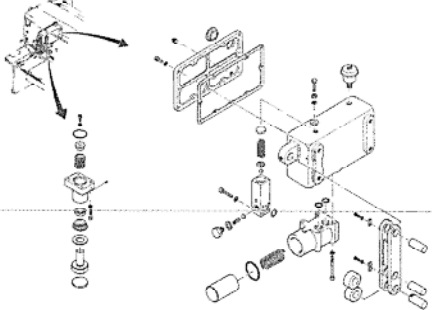
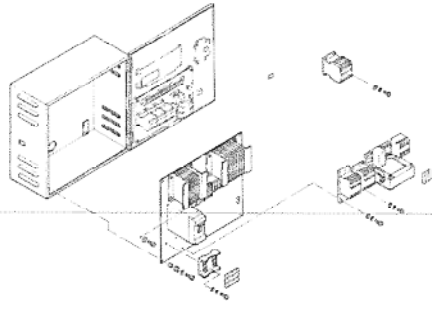
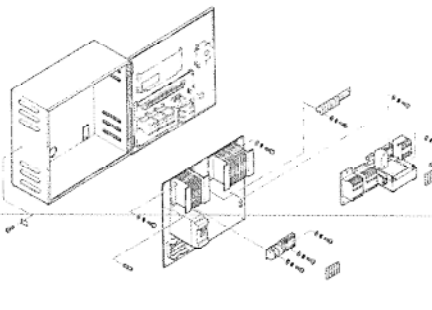
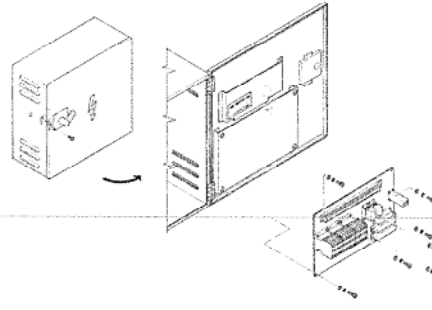
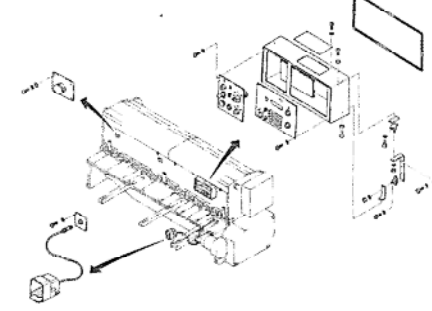
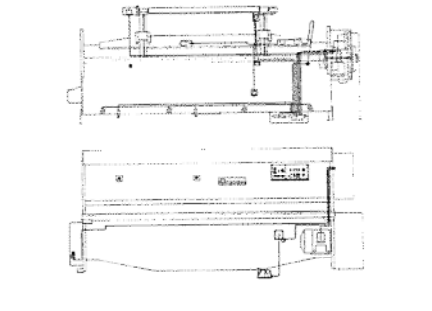
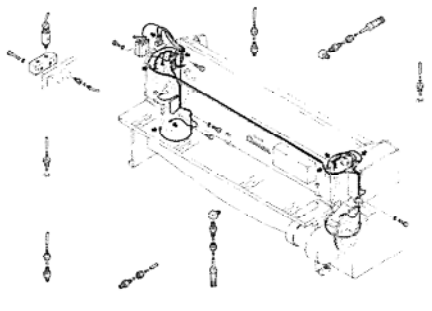
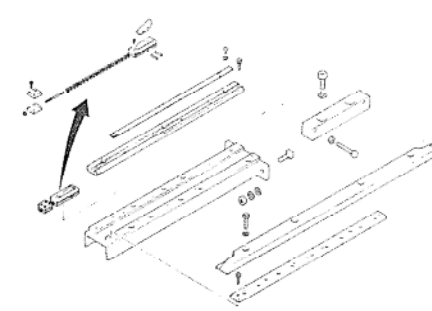
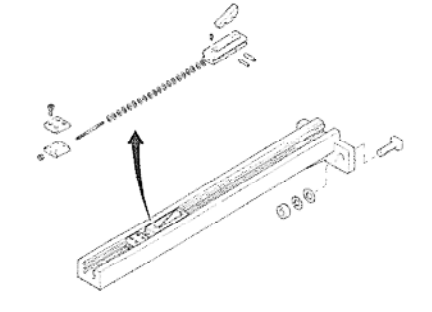
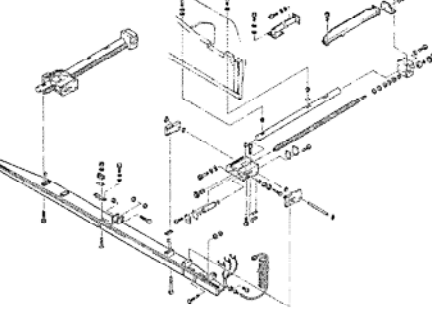
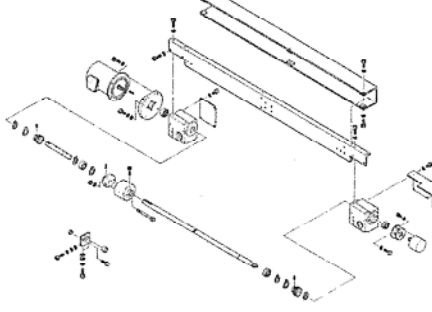
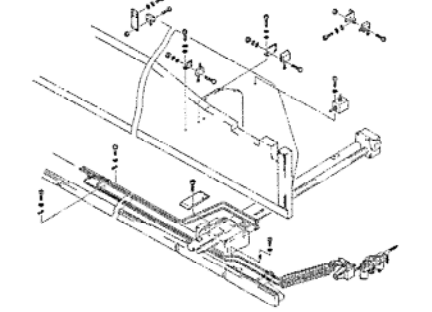
 **AMADA**

The logo for AMADA, featuring a stylized 'A' symbol followed by the word 'AMADA' in a bold, sans-serif font.

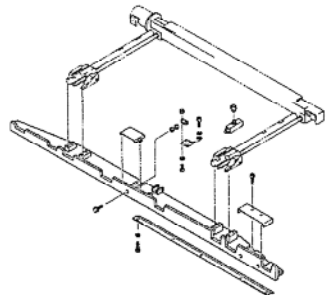
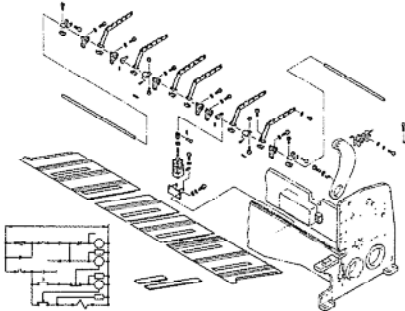
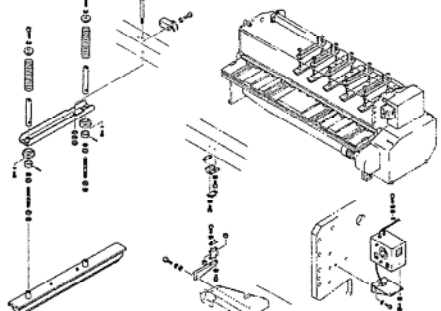
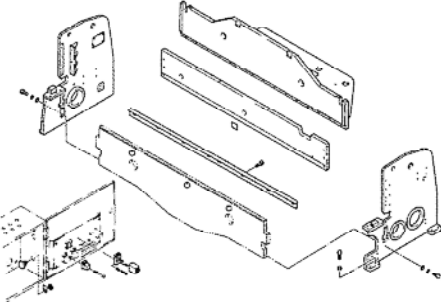
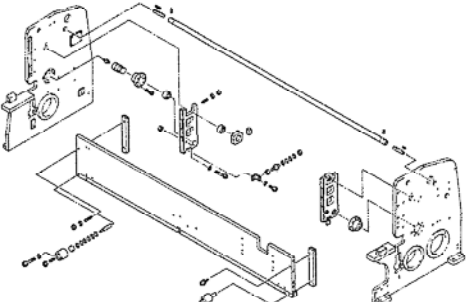
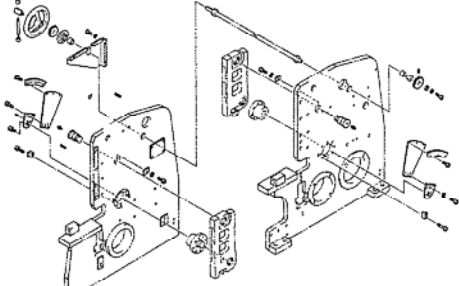
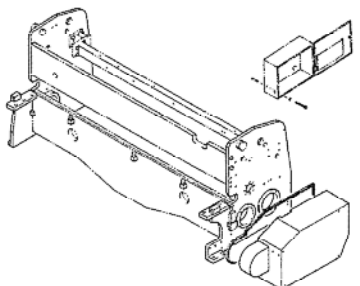
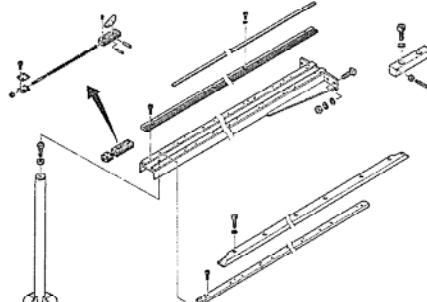
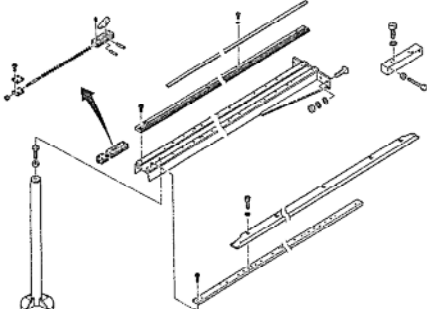
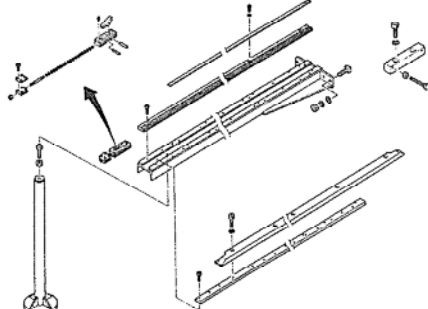
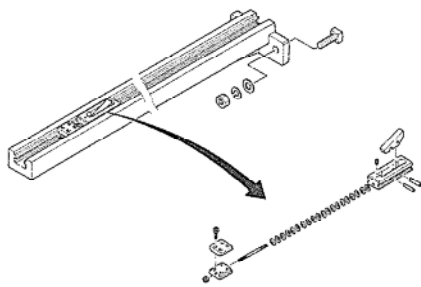
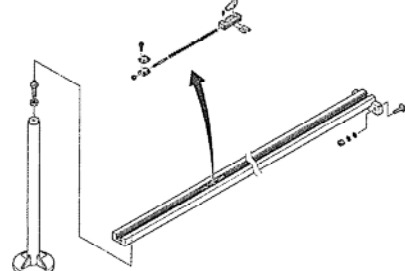
# CONTENTS(1)

01 Machine body (1)	02 Machine body (2)	03 Machine body (3)	04 Machine body (4)
1 ~ 4	5 ~ 10	11 ~ 16	17 ~ 20
			
05 Machine body (5)	06 Frame	07 Table	08 Drive (1)
21 ~ 24	25 ~ 28	29 ~ 32	33 ~ 38
			
09 Drive (2)	10 Drive (3)	11 Backgauge (1)	12 Backgauge (2)
39 ~ 44	45 ~ 48	49 ~ 56	57 ~ 68
			

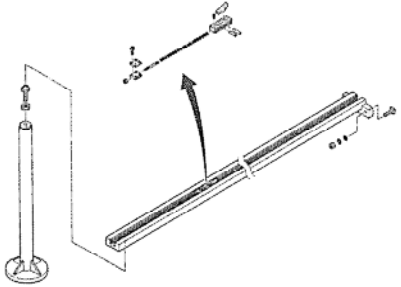
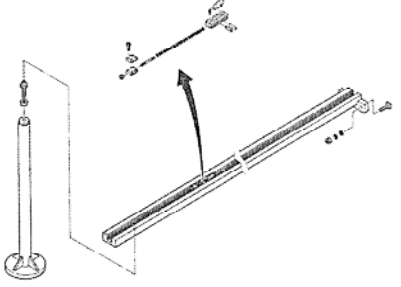
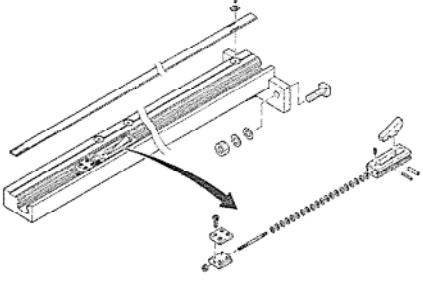
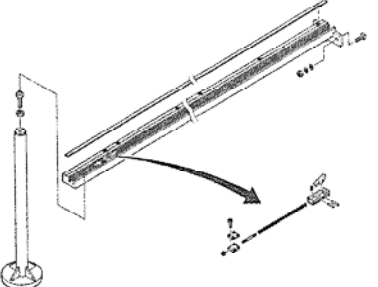
# CONTENTS(2)

13   Holddown	14   Electric (1)	15   Electric (2)	16   Electric (3)
69~74	75~80	81~88	89~94
			
17   Electric (4)	18   Electric (5)	19   Lubrication	20   1m Side gauge
95~100	101~108	109~114	115~118
			
21   1m Front extension	22   RC backgauge (1)	23   RC backgauge (2)	24   RC backgauge (3)
119~120	121~130	131~136	137~144
			

# CONTENTS(3)

25 EM Automatic release backgauge	26 Pneumatic sheet support	27 1m Electoro-magnetic support	28 RC specification
145~148	149~156	157~162	163~164
			
29 Handle clearance (1)	30 Handle clearance (2)	31 Handle clearance (3)	32 2m Side gauge
165~170	171~174	175~176	177~180
			
33 2.5m Side gauge	34 3m Side gauge	35 1.5m Front extension	36 2m Front extension
181~184	185~188	189~190	191~194
			

# CONTENTS(4)

37	2.5m Front extension	38	3m Front extension	39	1m Front extension (with scale)	40	2m Front extension (with scale)
195~198		199~202		203~206		207~210	
							
41	2.5m Front extension (with scale)	42	3m Front extension (with scale)				
211~214		215~218					
