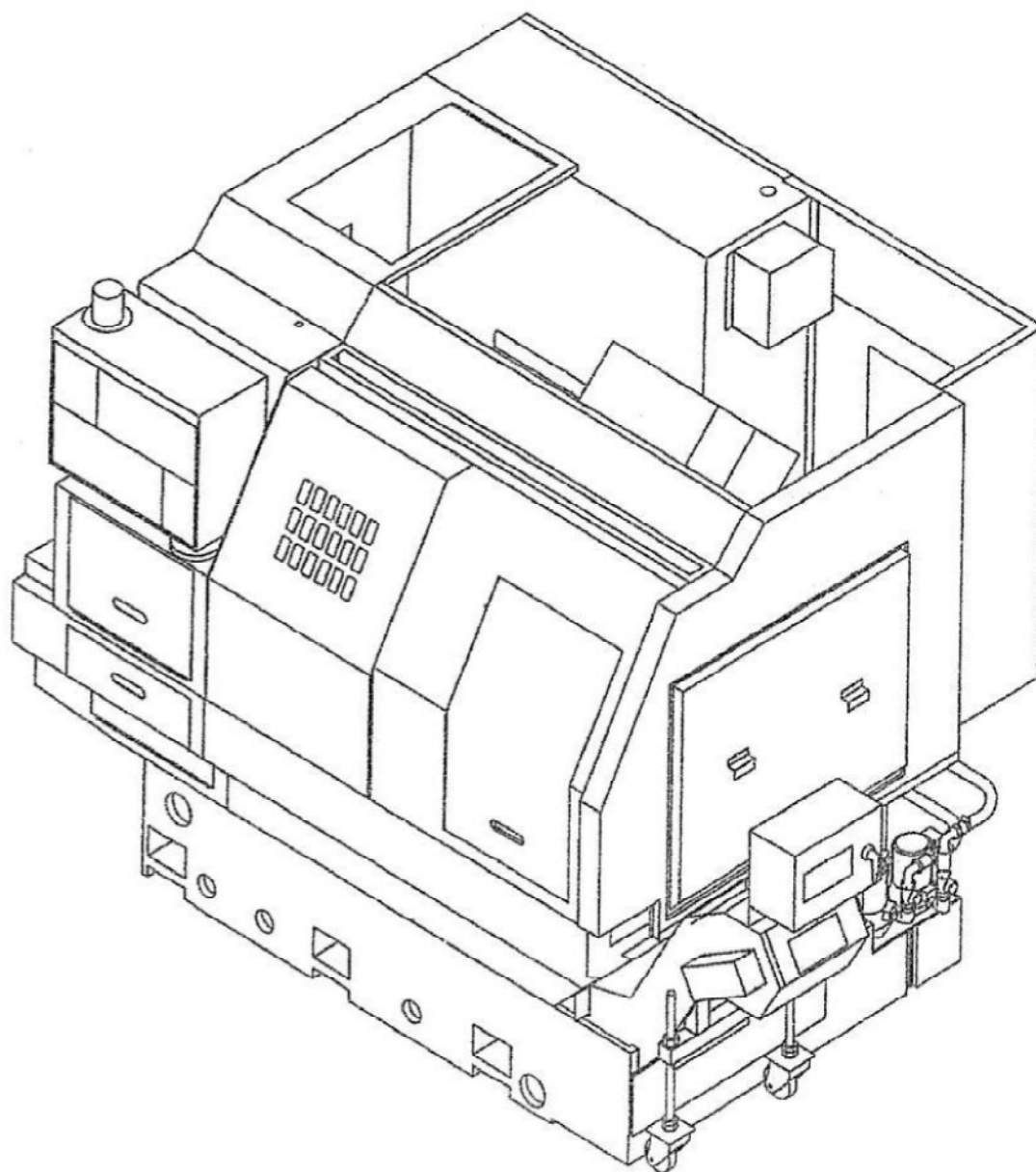


INSTRUCTION MANUAL

BNE-34SY/51SY



Miyano

OUTLINE

CONTENTS

BNE-34/51SY
OUTLINE
No. 1 1999.11

1. SPECIFICATIONS AND TECHNICAL DATA	2
1.1 Machine specifications	2
1.2 Specifications of the NC (FANUC 18i-TA)	6
2. EXTERNAL VIEW	9
2.1 Machine external view	9
2.2 Hydraulic sysem	15
2.3 Pneumatic sysem	18
2.4 Lubricating sysem	19
3. INSTALLATION	20
3.1 Preparing the levelling plates and work tools	20
3.2 Installing the machine	20
3.3 Location of levelling bolts	21
4. TRANSPORTING THE MACHINE	22
4.1 Location of machine center of gravity	22
4.2 Slinging the machine	23
4.3 Movement by forklift	24
5. REMOVING THE FIXING PLATES FROM THE MACHINE	25
6. LEVELLING THE MACHINE	29
7. CONNECTING THE COMPRESSED AIR SUPPLY	30
8. CONNECTING POWER SUPPLY TO THE MACHINE	30
8.1 Electrical power requirements	30
8.2 Selecting a transformer	31
8.3 Selecting a power line and ground wire	31
8.4 Connecting power supply to the machine	31
9. Oil fill	32

TOOLING

Contents, Tooling

BNE - 34 / 51SY

1. Tooling area -----	1
1). Tooling area -1 -----	1
2). Tooling area -2 -----	2
2. Turret system -----	3
1). Upper turret system -----	3
2). Lower turret system -----	4
3. Revolving tool system -----	5
1). Revolving tool system for upper turret -----	5
2). Revolving tool system for lower turret -----	6
3.1. Outline of revolving tool system -----	7
3.2. X-spindle unit(#1X783000) for upper turret -----	8
3.3. X-spindle unit(#1X783000) for upper turret -----	9
3.4. Z-spindle unit(#1X783100) for upper turret -----	10
3.5. Z-tapping unit(#1X783100) for upper turret -----	11
3.6. X-spindle unit(#1W783100) for lower turret -----	12
3.7. Z-spindle unit(#1W783200) for lower turret (L-Spindle) -----	13
3.8. Z-spindle unit(#1W783300) for lower turret (R-Spindle) -----	14
3.9. X-tapping unit(#1W783100) for lower turret -----	15
3.10. Z-tapping unit(#1W783200) for lower turret -----	16
3.11. Y-spindle unit(#7H784100) -----	17
3.12. Slot milling unit(#7H78370A) -----	18
3.13. Examples of revolving tool machining -----	19
3.14. Spindle output characteristics figure -----	21

OPERATION

CONTENTS, OPERATING

1. OPERATING THE PANEL	1
2. MANUAL OPERATION SWITCH	7
3. OPERATIONAL PROCEDURES	8
3.1 Explanations of expression symbols	8
3.2 Turning the power switch ON/OFF	9
3.2.1 Turning the power switch ON	9
3.2.2 Turning the power switch OFF	9
3.3 Explanations of indicated location	10
3.3.1 Displaying function key	10
3.3.2 Displaying mode	10
3.3.3 Displaying input data	11
3.3.4 Displaying program number and sequence number	11
3.3.5 Displaying alarm	12
3.3.6 Displaying soft key	12
3.4 Help function	13
3.4.1 Displaying ALARM DETAIL	14
3.4.2 Displaying OPERATION METHOD	15
3.4.3 Displaying PARAMETER TABLE	17
3.5 Displaying current position	18
3.6 Procedure of manual zero return	19
3.7 Positioning by manual operation	22
3.7.1 Positioning X1 and Z1-axis	22
3.7.2 Positioning X2, Z2 and B-axis	24
3.8 Displaying program memory used	26
3.9 Loading programs from the NC processor to the memory	27
3.10 Setting the work coordinate system (Geometry offset)	29
3.10.1 For a turning and a boring tool	29
3.10.2 For an I.D.tool, a drill, a reamer and a revolving tool	37
3.10.3 Altering the work coordinate system	38
3.11 Displaying and setting tool nose radius compensation	40
3.11.1 Displaying tool nose radius compensation	40
3.11.2 Setting tool nose radius compensation	42
3.11.3 Commanding the direction of theoretical cutting edge	43
3.12 Returning to the head of program	44
3.12.1 In EDIT mode	44
3.12.2 In AUTO mode	45
3.13 Search operation	46
3.13.1 Program number search	46
3.13.2 Sequence number search in AUTO mode	48
3.13.3 Program search by address	50
3.14 MDI operation	52
3.15 Displaying command value	54
3.16 Memory operation	56
3.16.1 Memory operating procedure	56
3.16.2 Operating cycle with the single block	58
3.16.3 Starting cycle from half way of program	59
3.17 Displaying and setting wear offset	62
3.17.1 Displaying wear offset	63
3.17.2 Setting wear offset	64

3.18	Editing operation	67
3.18.1	Designating an editing portion	67
3.18.2	Altering a word	68
3.18.3	Inserting a word	69
3.18.4	Deleting a word	70
3.18.5	Deleting a block	71
3.18.6	Deleting 2 blocks or more	72
3.18.7	Deleting a program	73
3.18.8	Deleting all programs	73
3.19	Transferring stored programs to the NC processor	74
3.20	Displaying and setting input/output parameter (SETTING PARAMETER)...	76
3.21	Displaying and changing parameter	77
3.21.1	Displaying parameter	77
3.21.2	Setting and changing parameter	78
3.22	Alarm Display	81
3.23	Alarm history display	82
3.24	When slide activated the machine-end limit switch	83

Cs AXIS CONTROL

Table of Contents

1. Cutting type	1
2. Machine specification and dimensions.....	3
[1] Left spindle.....	3
[2] Right spindle.....	4
3. NC specification and dimensions.....	5
4. Operating method and conditions.....	6
[1] Manual mode.....	6
[2] Automatic mode operating method.....	6
[3] Cs axis operation utilizing the spindle select switch.....	7
[4] Manual operation.....	8
[5] Manual zero return (Home position).....	9
5. Cs axis grid shift quantity (setting of home position).....	10
[1] Left spindle Cs axis grid shift adjusting method.....	10
[2] Right spindle Cs axis grid shift adjusting method.....	15
[3] Right and left spindles Cs axis grid shift adjusting method.....	17
6. Spindle rotation command.....	19
7. Revolving tool operation.....	20
8. Spindles synchronized operation.....	21
9. Angular phase adjustment.....	22
10. Feed code explanation.....	24
11. Alarm explanation.....	25
12. Programing NC options for c-axis (polar coordinate & cylindrical interpolations)-----	25

MACHINE OPERATION

TABLE OF CONTENTS
(MACHINE OPERATION)

BNE-34/51SY
No.1 2000.2

1. ADJUSTING THE CHUCK PRESSURE	1
1.1 Collet gripping force adjusting range	5
1.2 Power chuck gripping force adjusting range	5
2. CHUCK SYSTEM	6
2.1 Changing the chuck system	6
2.1.1 Collet chuck system	6
2.2 Installing a L-spindle collet (BNE-34SY)	7
2.3 Installing an R-spindle collet (BNE-34SY)	9
2.4 Work ejector	10
2.4.1 Specifications	10
2.4.2 Adjusting the gripping length	11
2.5 Adjusting the chucking pressure	13
2.5.1 Adjusting the chucking pressure	14
2.5.2 Determining the chucking pressure for a collet	14
2.5.3 Determining the chucking pressure for the power chuck	15
2.5.4 Gripping force reduction curve of the power chuck	16
3. POWER CHUCK	17
3.1 Specification	17
3.2 Changing outside and inside diameter chucking	17
3.3 Parts list and drawing	18
3.4 Installing the power chuck	19
3.5 Jaw dimension	21
3.6 Machining soft jaws	24
4. Hydraulic operating	25
5. Pneumatic	27
6. Lubricating system	27
7. Installing a filter tube, a bushing, etc.	28
7.1 For BNE-34SY	28

7.2 Installing a filter tube or a bushing. (BNE-34/51SY)	29
7.3 removing the end screw (BNE-34/51SY)	30
11. Splash guard interlock and door interlock	41
12. Collet chuck system	44
12.1 L-spindle collet chuck system (BNE-51S/51SY)	44
12.2 Installing L-spindle spring collet (BNE-51S/*51SY)	45
13. R-spindle collet chuck system (BNEW-51S/51SY)	46
13.1 Spring work ejector & chuck system	46
13.2 Air cylinder type work ejector & chuck system	47
13.3 R-spindle spring type work ejector & chuck system specifications	48
13.4 Installing spring collet & work ejector	49
13.5 Air cylinder type work ejector specifications	50
13.6 Installing air type spring collet & work ejector	51
14. BNE-51SY power chuck system	55
14.1 R-spindle power chuck system	55
14.2 L-spindle power chuck system	55
14.3 Installing the power chuck for L-spindle	58
14.4 jaw dimensions	61
14.5 machining soft jaws	63
15. BAR FEEDER	64
15.1 Bar feeding system	64
15.1.1 ASR FX-45 and ASR X-45	65

PROGRAMMING

CONTENTS, PROGRAMMING

1. GENERAL	1
2. THE OUTLINE OF PROGRAMMING	2
2.1 Programming procedures	2
2.2 Block and word	2
3. COMPOSITION OF PROGRAM	3
3.1 Blocks	7
3.2 Word and address	8
3.3 Input format	10
3.4 Input of decimal point	11
3.5 Basic address and command range	13
3.6 Inch/Metric conversion (G20, G21)	14
3.7 Program number and program name	15
3.8 Sequence number	16
3.9 Optional block skip	16
4. CONTROLLED AXES	17
4.1 Dimension words	17
4.2 Number of controlled axes	17
4.3 Axis designation	17
4.4 Least input increment and least command increment	17
4.5 Names of axes	18
5. ABSOLUTE COMMAND AND INCREMENTAL COMMAND	19
6. DEFINITION	20
6.1 Reference point (Home position)	20
6.2 Program zero point	20
7. COORDINATE SYSTEMS AND COORDINATE VALUES	21
7.1 Machine coordinate system	21
7.2 Work Coordinate System	22
8. THE OUTLINE OF THE FUNCTIONS	23
8.1 Feed functions (F function)	23
8.2 Preparatory functions (G function)	23
8.3 Tool functions (T function)	23
8.4 Spindle speed functions (S function)	23
8.5 Miscellaneous functions (M function)	23
8.6 Spindle positioning function	23
9. FEED FUNCTIONS (F FUNCTIONS)	24
9.1 Rapid traverse rate	24
9.2 Cutting feed rate	24
9.3 Thread cutting speed rate	25
9.4 Feed rate override	25
10. PREPARATORY FUNCTIONS (G FUNCTIONS)	26
10.1 List of G-codes (G functions)	27
10.2 Positioning (G00)	28
10.3 Linear interpolation (G01)	29
10.4 Circular interpolation (G02, G03)	35

10.5	Dwell (G04)	41
10.6	Reference point return check (G27)	43
10.7	Automatic return to reference point (G28)	44
10.8	Coordinate system setting and maximum spindle speed setting (G50)	45
10.9	Program input of offset values (G10)	46
10.10	Thread cutting (G32)	47
10.11	Canned cycles (G90, G92, G94)	56
10.11.1	Turning cycle (G90)	56
10.11.2	Thread cutting cycle (G92)	61
10.11.3	Facing cycle (G94)	67
10.12	Constant surface speed control (G96, G97)	72
10.13	Feed per minute and feed per revolution (G98, G99)	72
10.14	Tool nose radius compensation (G40~G42)	73
10.14.1	Different dimensions by tool nose radius	73
10.14.2	The motion of tool nose radius compensation	75
10.14.3	Command of tool nose radius compensation	76
10.14.4	Prohibited command on the compensation	81
10.14.5	Program examples with tool nose radius compensation	83
10.15	Multiple repetitive cutting cycles (G70~G76)	85
10.15.1	Stock removal cutting cycle in turning (G71)	85
10.15.2	Stock removal cutting cycle in facing (G72)	90
10.15.3	Pattern repeated cutting cycle (G73)	93
10.15.4	Finish cutting cycle (G70)	97
10.15.5	Longitudinal pecking cycle (G74)	98
10.15.6	Cross pecking cycle (G75)	101
10.15.7	Thread cutting cycle (G76)	104
10.15.8	Notes on multiple repetitive cycles (G70~G76)	110
11.	SPINDLE SPEED FUNCTIONS (S FUNCTIONS)	111
11.1	Constant surface speed control cancel (G97)	111
11.2	Constant surface speed control (G96)	112
11.3	Spindle speed command for the revolving tool	113
12.	TOOL FUNCTIONS (T FUNCTIONS)	114
12.1	Tool selection (Turret indexing)	114
12.2	Setting work coordinate system (Setting geometry offset)	117
12.3	Wear offset	119
13.	MISCELLANEOUS FUNCTIONS (M FUNCTIONS)	120
13.1	List of M-codes	120
13.2	Descriptions of M-codes	124
13.3	Synchronized-feed-and-axis-recomposition control	137
13.3.1	Outline	137
13.3.2	Examples of simultaneous operations	138
13.3.3	Upper channel and lower channel	141
13.3.4	M230 and M231, Swap control	142
13.3.5	M232 and M233, Accumulated feed control	145
13.3.6	M234 to M237, Axis recomposition control	146
13.3.7	M238 and M239, Synchronized feed control	149
14.	EXAMPLES OF PROGRAMMING	150
14.1	Planning sheet	150
14.2	Upper turret program	152
14.3	Lower turret program	157

MAINTENANCE

TABLE OF CONTENTS
(MAINTENANCE)

BNE-34/51SY

No.1 2000/1

1. MAINTENANCE AND PREVENTIVE MAINTENANCE	1
2. PERIODIC SERVICING	1
2.1 Inspection at the beginning after initial installation	1
2.1.1 Inspecting machine level	1
2.1.2 Changing oil	2
2.2 Recommended oil and grease	3
2.3 Recommended coolant oil	4
2.4 Maintenance schedule	5
2.5 Procedure for preventive maintenance	12
2.5.1 Inspecting the synchro belt tension	12
2.5.2 Inspecting and cleaning flow proper unit	12
2.5.3 Replacing the battery	13
3. ELECTRICAL CONTROL	15
3.1 Electrical equipments	15
3.1.1 Electrical equipments on the control box	15
3.1.2 Electrical equipments on the control box (side)	16
3.1.3 Connector panel	18
3.1.4 Magnetic switch, magnetic contactor	19
3.1.5 Breakers and circuit protectors	20
3.1.6 Fuse in the NC unit	21
3.2 Power supply voltage	25
3.3 Parameters for external Input/Output device	26
3.3.1 Display and change of SETTING PARAMETER	26
3.3.2 Parameters for external Input/Output device	28
3.4 Parameters and PMC parameters	32
3.4.1 Parameter	32
3.4.2 Displaying and changing PMC parameters	32
3.4.3 List of PMC parameter	34
3.5 PMC timer	50
3.5.1 Setting values of timers (unit: msc.)	50
3.5.2 How to set timers	50
3.5.3 List of timers	53

3.6 PMC counter	56
3.7 Using PMC diagnosis	58
3.7.1 Outline of PMC diagnosis	58
3.7.2 Displaying Input/Output signals	58
3.7.3 Reading Input/Output signals	60
3.7.4 Table of Input/Output signal	61