

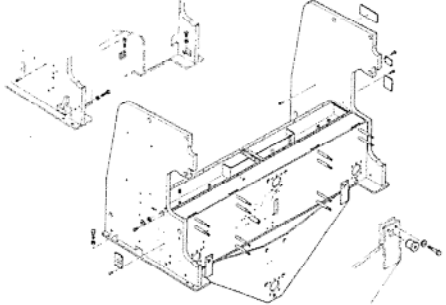
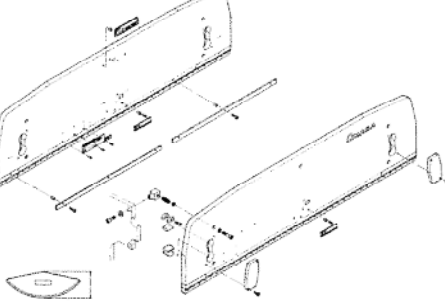
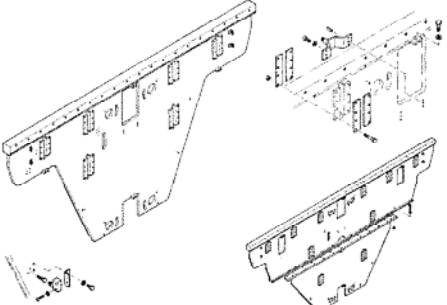
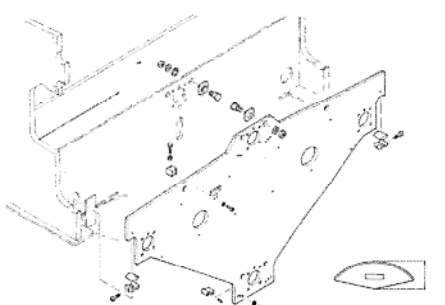
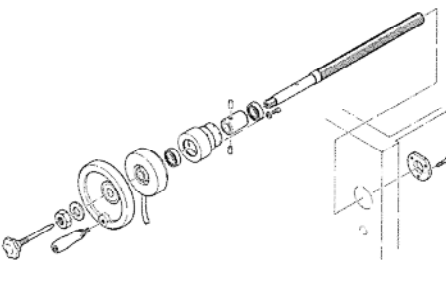
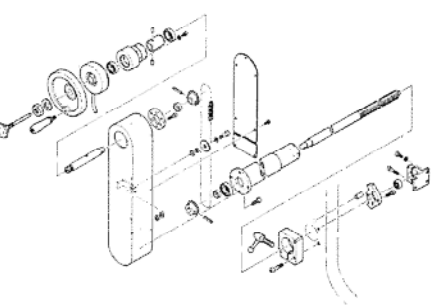
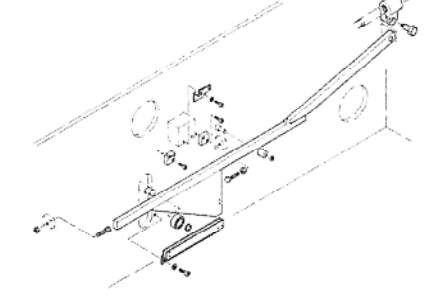
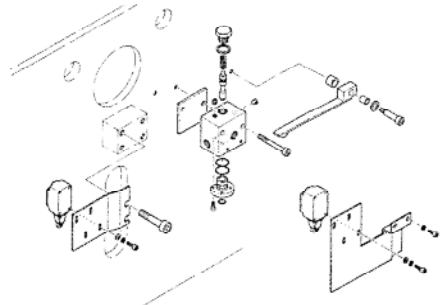
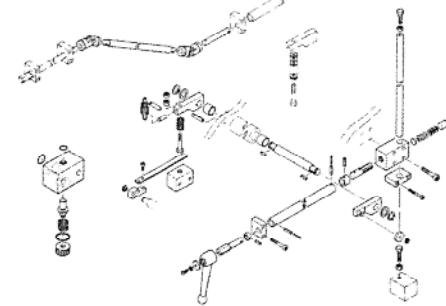
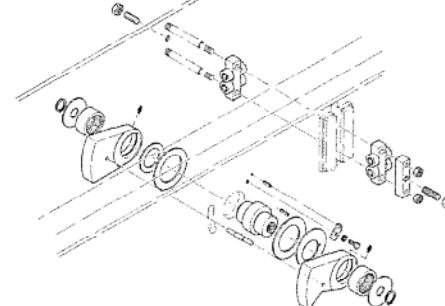
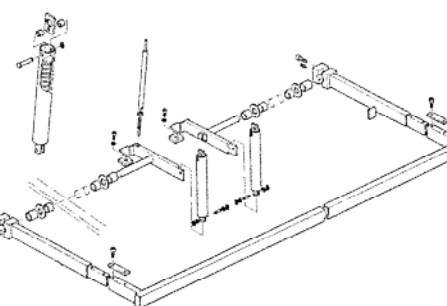
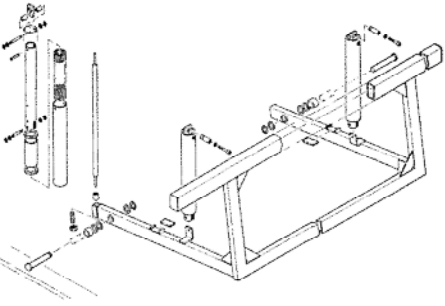
**HYDRAULIC PRESS BRAKE
TYPE ZII
RG-150, 150L, 200, 200L, 200LL**

DEC. 1991

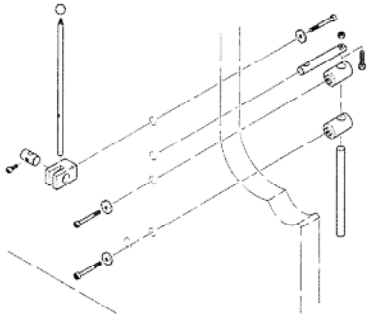
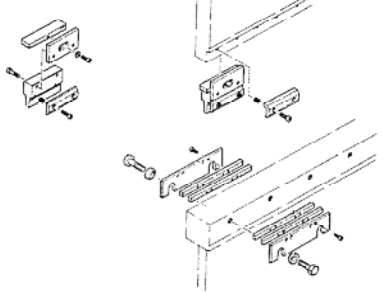
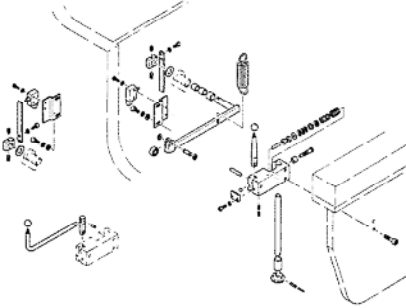
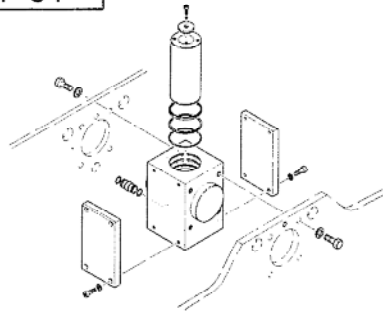
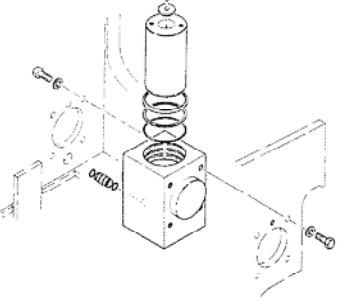
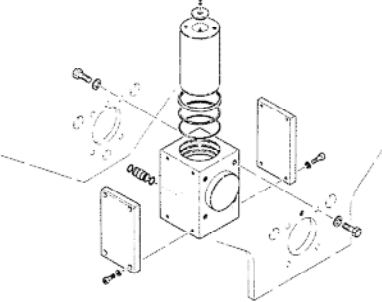
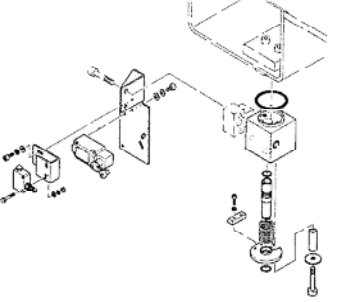
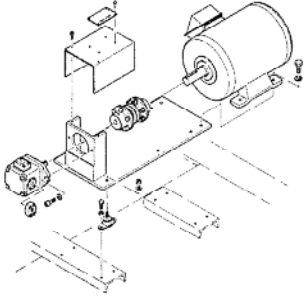
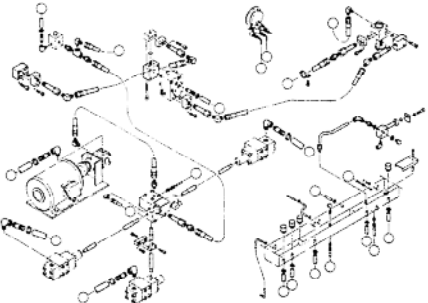
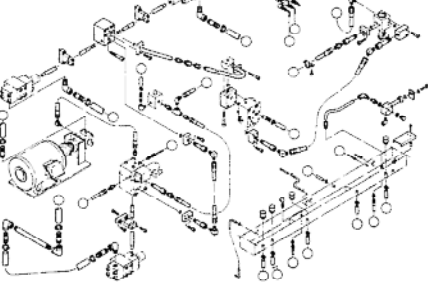
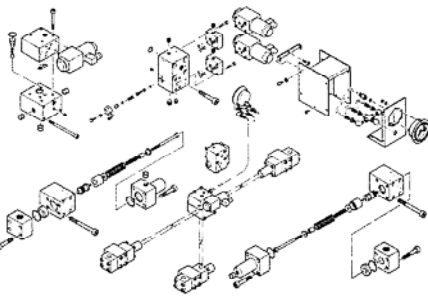
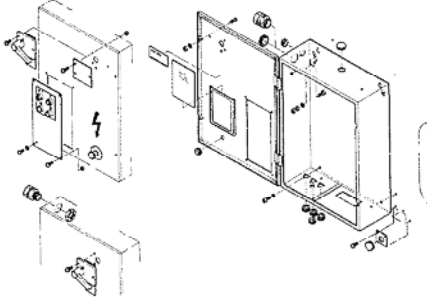
PARTS LIST



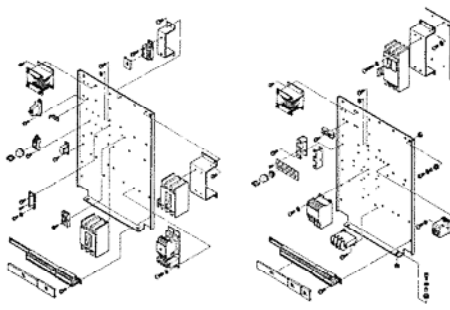
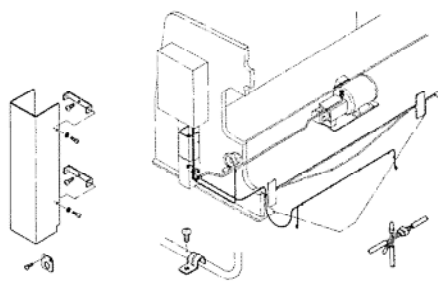
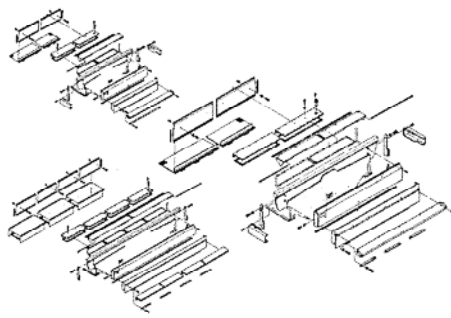
CONTENTS (1)

01 Frame	02 Upper beam	03 Lower beam	04 Support plate
1~8	9~16	17~20	21~26
			
05 Upper limit setting device (1) - RG150L, 200, 200L	06 Upper limit setting device (2) - RG200LL	07 Upper limit setting device (3)	08 Upper limit setting valve
27~30	31~36	37~40	41~44
			
09 Lower limit setting device	10 Guide roller	11 Pedal (1) - RG150, 150L, 200, 200L	12 Pedal (2) - RG200LL
45~54	55~58	59~62	63~66
			

CONTENTS (2)

13 Pedal lock device	14 Tool holder	15 Speed change setting device	16 Main cylinder
67~68	69~74	75~80	81~84
			
17 L.R. Sub cylinder	18 Under sub cylinder	19 Distributor	20 Hydraulic pump
85~86	87~90	91~94	95~98
			
21 Hydraulic piping (1) - RG150, 150L, 200, 200L	22 Hydraulic piping (2) - RG200LL	23 Hydraulic valve	24 Electric (1)
99~112	113~124	125~138	139~146
			

CONTENTS (3)

25 Electric (2)	26 Electric wiring	27 Cover	28 Standard accessories
<p>147~160</p> 	<p>161~166</p> 	<p>167~178</p> 	<p>179~182</p> 