

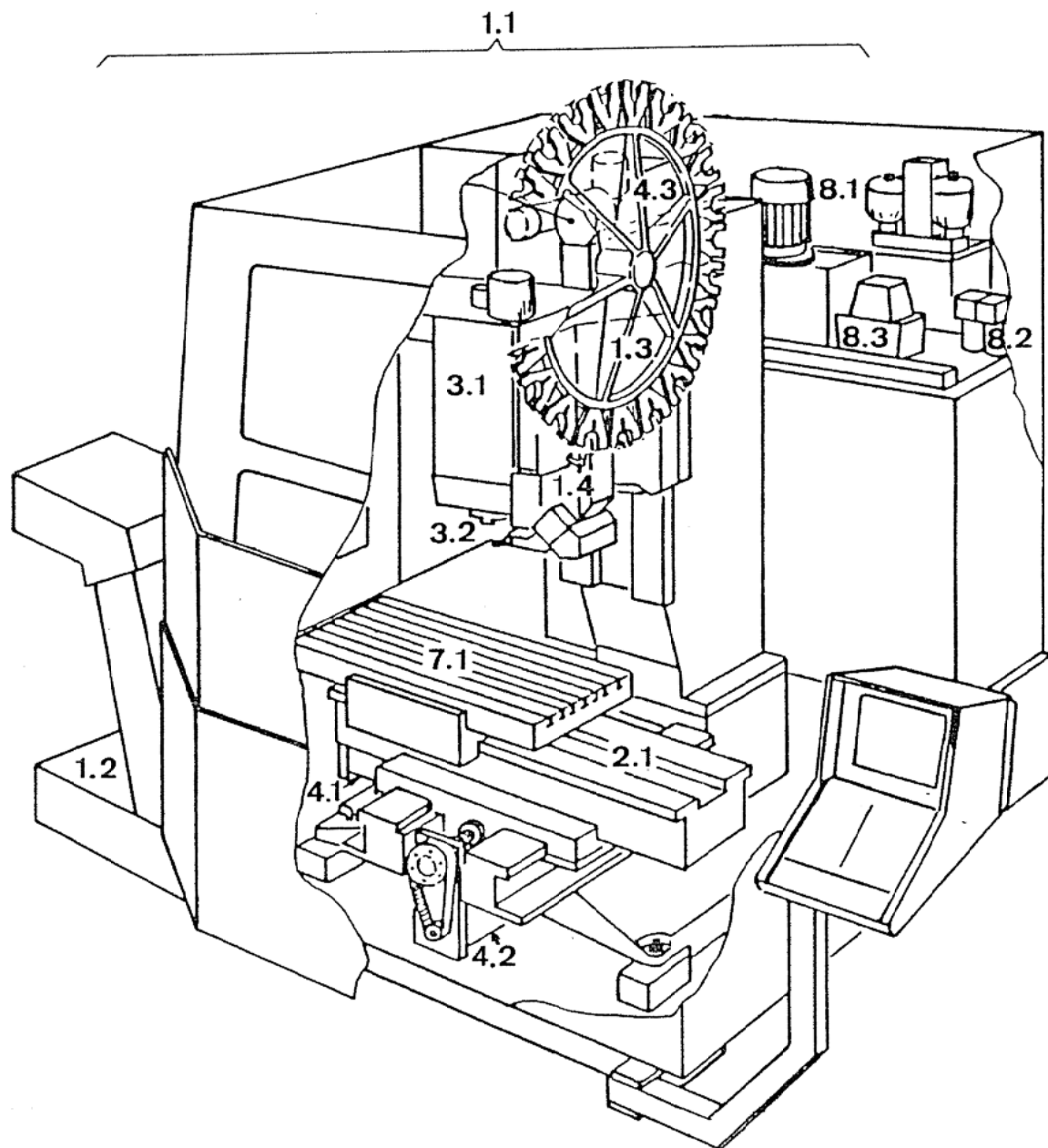
MAHO
MAHOMAT

PARTS CATALOG

MAHOMAT

SERIE 531

76.053100 BUILDING GROUP DRAWING - PARTS LISTS



1.1	Machine complet	1
1.2	Cooling lubrication system	
1.3	Tool magazin	
1.4	Tool changer	

2.1	Compound slide	2

3.1	Head stock	
3.2	Milling spindle	3

4.1	Feed drive X-axis	
4.2	Feed drive Y-axis	4
4.3	Feed drive Z-axis	

5	----	5

6	Measuring system) not for X-, Y- and) drawn Z-axis)	6

7.1	Worktables	7

8.1	Hydraulic unit	
8.2	Pneumatic unit	8
8.3	Centr.lube pump	

9	Equipment/Options	9

Register-No.

BUILDING GROUP

MAHOMAT.