

**HYDRAULIC PRESS BRAKE  
TYPE ZII  
RG-80(RG-80 AUTO B/G)**



**PARTS LIST**



## GENERAL INFORMATION

- \* This parts list shows all of the parts used in your RG-80 or RG-80 AUTO B/G machine. Please file this parts list for reference and refer to it when you order parts or maintain the machine.
- \* This edition has been divided into sections. Each section corresponds to one of the 33 different units making up the machine.

Unit No. 01	Frame	16	Distributor
02	Upper beam	17	Pump unit
03	Lower beam	18	Hydraulic tank
04	Support plate	19	Hydraulic piping
05	Upper post	20	Hydraulic valve
06	Upper limit setting device (1)	21	Electric (1)
07	Upper limit setting device (2)	22	Electric (2)
08	Lower limit setting device	23	Electric (3) - Backgauge
09	Guide roller	24	Cover
10	Pedal	25	Backgauge (1)
11	Pedal lock device	26	Backgauge (2)
12	Tool holder	27	Backgauge (3)
13	Speed change setting device	28	Backgauge (4)
14	Main cylinder	29	Backgauge (5)
15	Sub cylinder	30	Backgauge (6)
		31	Standard accessories
		32	Work stopper (1)
		33	Work stopper (2)

- \* The scale used on each page of drawings is different. Please be aware that parts may seem to be different sizes on different pages.
- \* Specifications subject to change without notice.

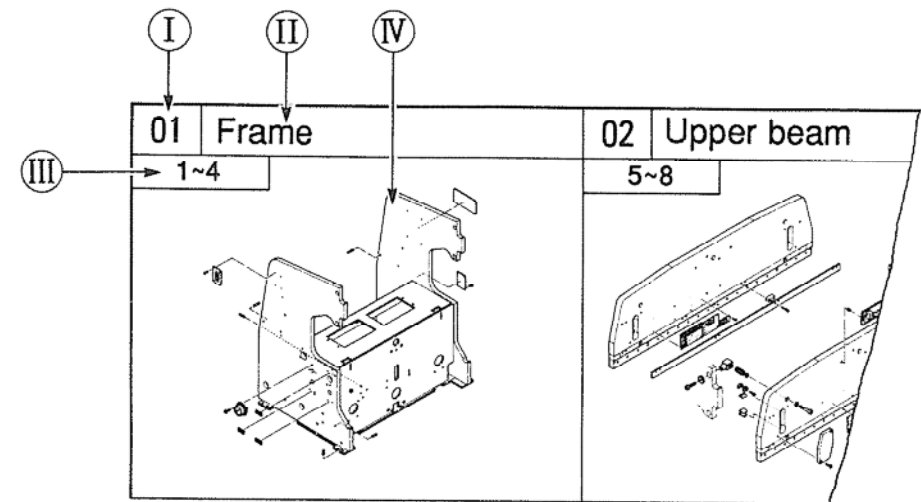
Published by:

Technical Division, AMADA METRECS  
120 Maekawa  
Odawara-shi, Kanagawa 256, JAPAN

Tel. 0465-47-8875  
Fax. 0465-48-3554

## INTRODUCTION

### 1. TABLE OF CONTENTS



- Ⓛ Unit No.
- Ⓜ Unit Name
- Ⓝ Corresponding Page Nos.
- Ⓟ Assembly drawings shown in the main text.