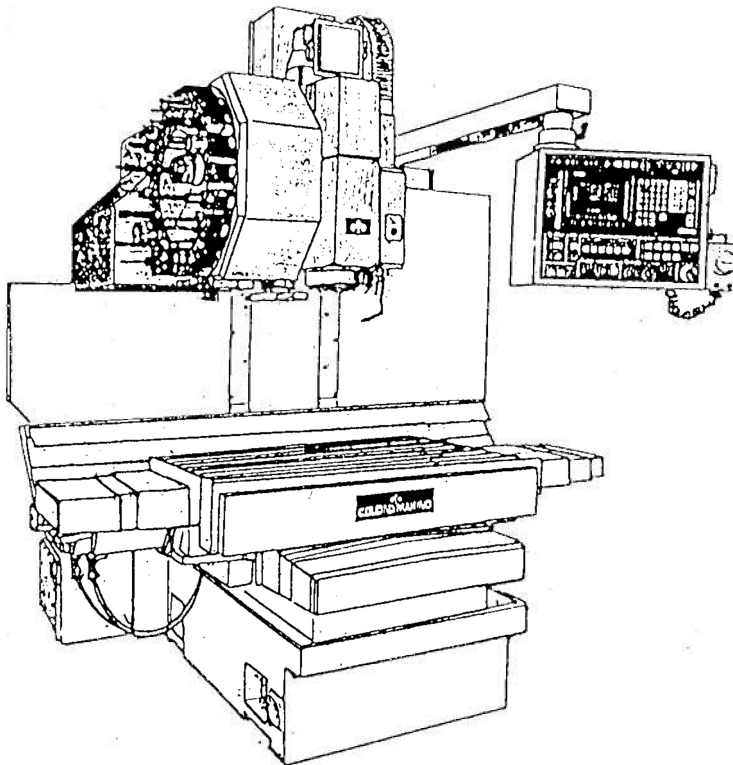


VERTICAL MACHINING CENTER **FNC 60**

FANUC OM-MODEL

OPERATION MANUAL




LEBLOND MAKINO
ASIA PTE. LTD

2, Gul Avenue, Jurong Town, Singapore 2262.
Republic of Singapore
Tel: 8615722 Fax: 8611600
Telex: LEBASIA RS 24257

60-OM-IMA 01/1
[1991 (1) EDITION]

C O N T E N T S

	<u>PAGE</u>
1. SPECIFICATIONS	1 - 1
1.1 SPECIFICATION FOR NC CONTROLER	1 - 1
2. OPERATING COMPONENTS	2 - 1
2.1 MACHINE PROPER	2 - 1
2.2 NC CONTROLLER	2 - 15
3. OPERATIONS	3 - 1
3.1 MANUAL OPERATIONS	3 - 1
3.2 AUTOMATIC OPERATIONS	3 - 9
4. PROGRAMMING	4 - 1
4.1 BASIC MACHINE COORDINATES	4 - 2
4.2 COORDINATE LANGUAGE	4 - 3
4.3 FEED FUNCTIONS	4 - 7
4.4 G FUNCTIONS	4 - 7
4.5 S FUNCTIONS	4 - 10
4.6 T FUNCTIONS	4 - 10
4.7 M FUNCTIONS	4 - 11
RELEASE INTERLOCKING OF ATC PANEL	Appendix 1